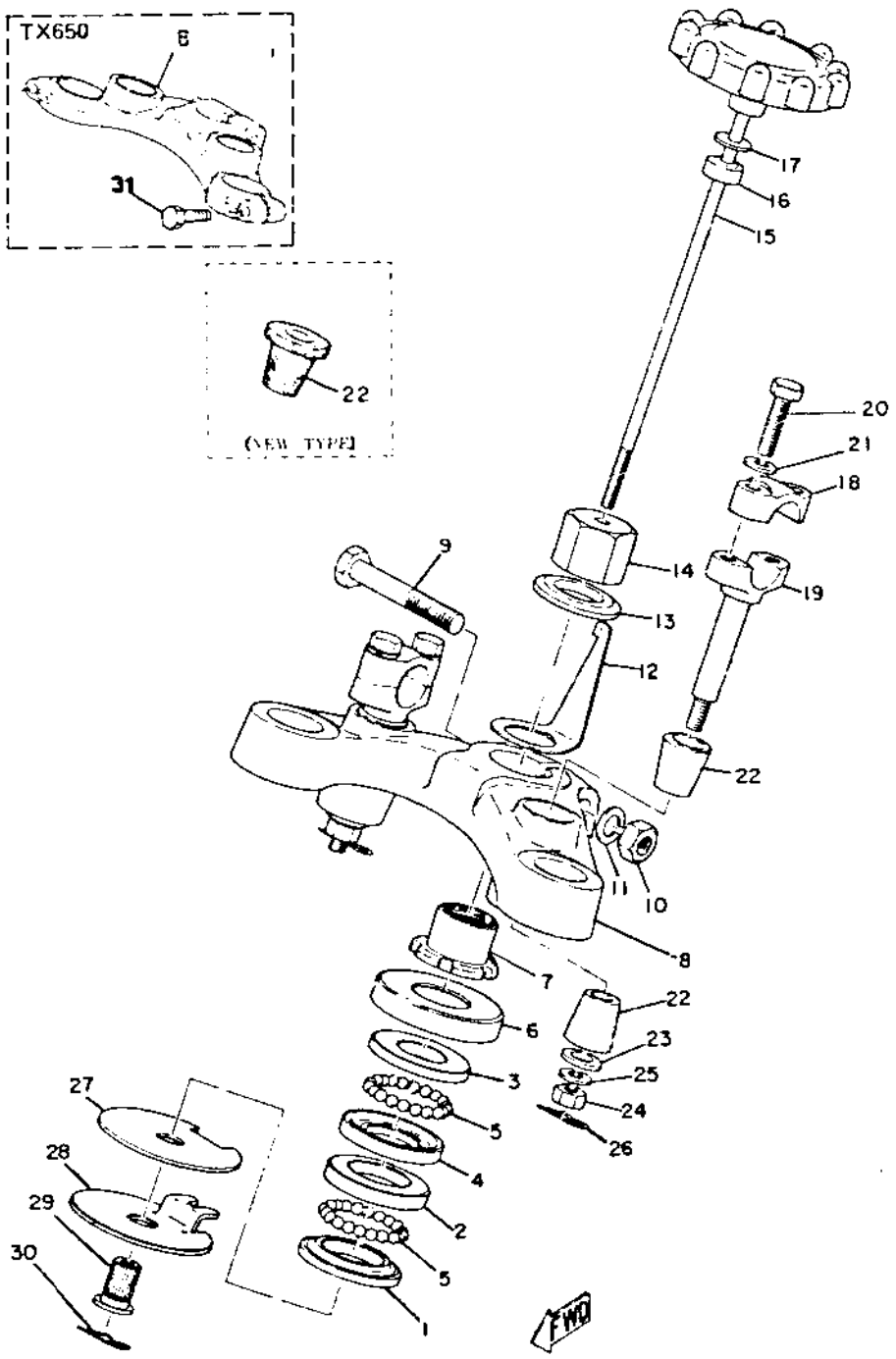
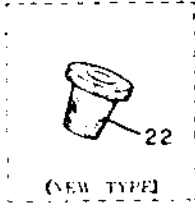
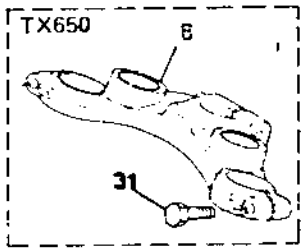


| Ref. No. | Parts No.       | Description  | XS1/XS1B/XS2/TX65 |    |    |    |
|----------|-----------------|--|-------------------|----|----|----|
| 1        | 256-23411-00-00 | RACE, ball 1                                       | 1                 | 1  | 1  | 1  |
| 2        | 256-23412-00-00 | RACE, ball 2                                       | 1                 | 1  | 1  | 1  |
| 3        | 256-23413-00-00 | RACE, ball 3                                       | 1                 | 1  | 1  | 1  |
| 4        | 256-23414-00-00 | RACE, ball 4                                       | 1                 | 1  | 1  | 1  |
| 5        | 93501-040;1-00  | BALL (1/4 inch)                                    | 38                | 38 | 38 | 38 |
| 6        | 136-23415-00-00 | COVER, ball race                                   | 1                 | 1  | 1  | 1  |
| 7        | 90179-25049-00  | NUT, fitting 2<br>(256-23454-00)                   | 1                 | 1  | 1  | 1  |
| 8        | 256-23435-01-98 | CROWN, handle                                      | 1                 | 1  | 1  | 1  |
|          | 366-23435-00-98 | CROWN, handle                                      |                   |    |    | 1  |
| 9        | 97323-10065-00  | BOLT   | 1                 | 1  | 1  | 1  |
| 10       | 95303-10600-00  | NUT  | 1                 | 1  | 1  | 1  |
| 11       | 92903-10100-00  | WASHER, spring                                     | 1                 | 1  | 1  | 1  |
| 12       | 256-23428-00-00 | SPRING, damper                                     | 1                 | 1  | 1  | 1  |
| 13       | 90201-26294-C0  | WASHER, crown<br>(256-23443-00)                    | 1                 | 1  | 1  | 1  |
| 14       | 90179-25023-00  | NUT, fitting 1<br>(256-23453-00)                   | 1                 | 1  | 1  | 1  |
| 15       | 256-23419-00-00 | SHAFT, damper                                      | 1                 | 1  | 1  | 1  |
| 16       | 90202-06008-00  | WASHER<br>(141-23427-00)                           | 1                 | 1  | 1  | 1  |
| 17       | 90201-06061-00  | WASHER, special<br>(6.5-18-0.6)<br>(156-23418-00)  | 1                 | 1  | 1  | 1  |
| 18       | 315-23441-00-98 | HOLDER, handle upper                               | 2                 | 2  | 2  | 2  |
| 19       | 256-23442-00-98 | HOLDER, handle under                               | 2                 | 2  | 2  | 2  |
| 20       | 97313-08030-00  | BOLT (97323-08030)                                 | 4                 | 4  | 4  | 4  |
| 21       | 92903-08100-00  | WASHER, spring                                     | 4                 | 4  | 4  | 4  |
| 22       | 256-23434-01-00 | RUBBER, bushing                                    | 4                 | 4  | 4  | 4  |
| 23       | 90201-14218-00  | WASHER, special<br>(10.5-25-2.0)<br>(135-22244-00) | 2                 | 1  |    |    |
|          | 90201-10149-00  | WASHER, special<br>(256-23444-00)                  |                   | 4  | 2  | 2  |
| 24       | 95301-10700-00  | NUT  | 2                 | 2  | 2  | 2  |
| 25       | 92903-10100-00  | WASHER, spring                                     | 2                 | 2  | 2  | 2  |
| 26       | 90468-12006-00  | CLIP, tension bar<br>(136-25375-00)                | 2                 | 2  | 2  | 2  |

FWD



|    |                 |                            |   |   |   |   |
|----|-----------------|----------------------------|---|---|---|---|
| 27 | 256-23425-00-00 | DAMPER, friction . . . . . | 1 | 1 | 1 | 1 |
| 28 | 256-23422-00-00 | PLATE, damper 2 . . . . .  | 1 | 1 | 1 | 1 |
| 29 | 256-23424-00-00 | GUIDE, damper . . . . .    | 1 | 1 | 1 | 1 |
| 30 | 90468-10050-00  | CLIP (156-83525-00) . . .  | 1 | 1 | 1 | 1 |
| 31 | 97313-08050-00  | BOLT (97323-08050) . . .   |   |   |   | 2 |

