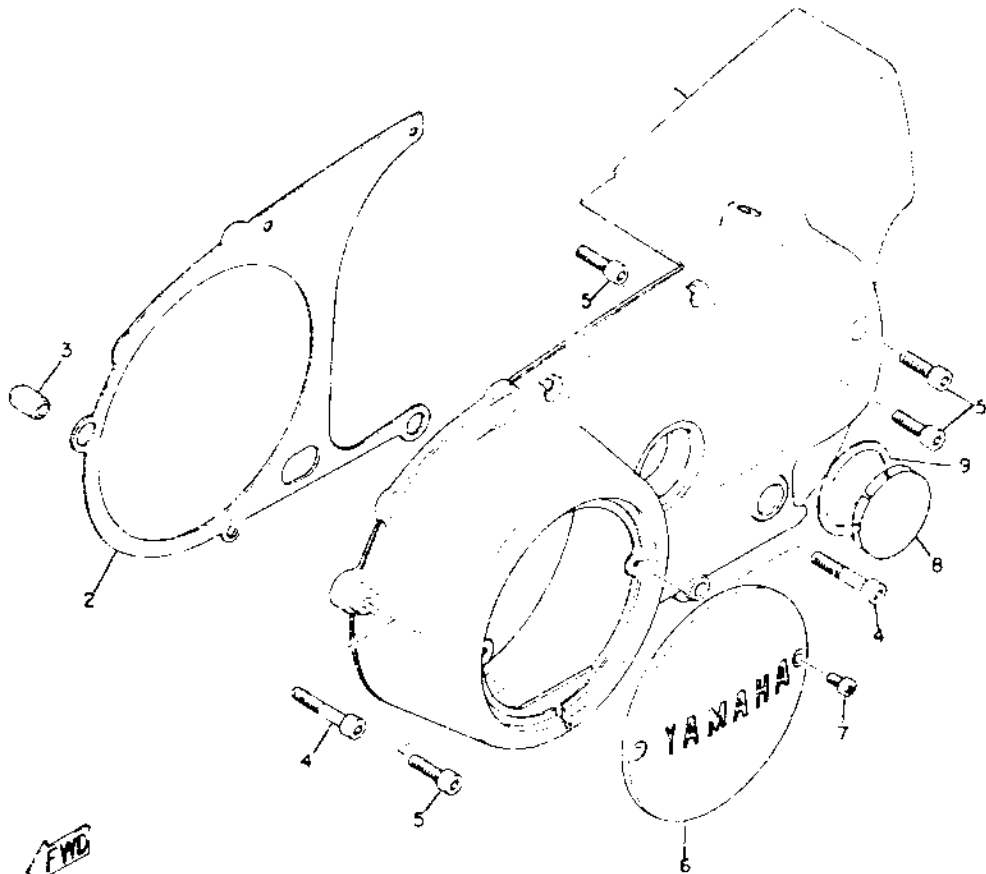
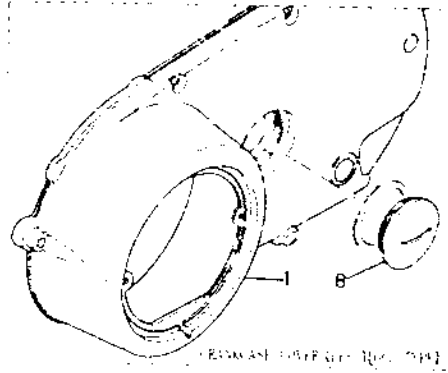
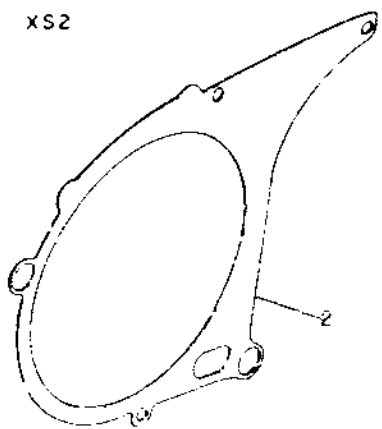


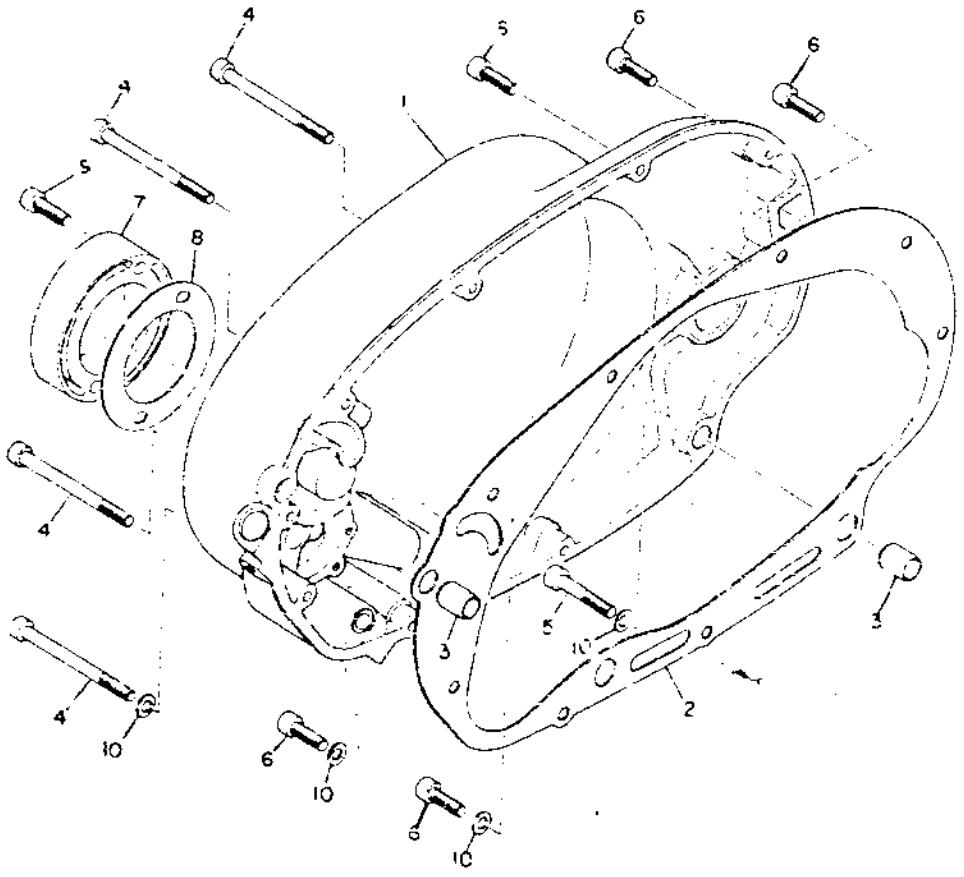
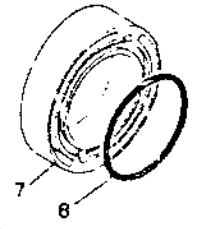
XS2



FWG

Ref. No	Part Number	Description	XS	XS	XS	XS
			1	1B	2	550
1	256-15411-09-00	COVER, crankcase left	1	1		
	306-15411-04-00	COVER, crankcase left			1	1
2	256-15461-00-00	GASKET, crankcase cover left	1	1		
	306-15461-00-00	GASKET, crankcase cover left			1	1
3	91830-22016-00	PIN, dowel (9.8-12-16) (91800-05016)	2	2	2	2
4	91316-06035-00	BOLT	4			
	91316-06040-00	BOLT	2	2	2	2
5	91316-06020-00	BOLT	4			
	91316-06025-00	BOLT	4	4	4	4
6	256-15425-00-00	COVER, generator		1	1	1
7	98501-05010-00	SCREW, pan head	2	2	2	2
8	256-15417-00-00	COVER, adjust	1			
	256-15417-01-00	COVER, adjust	1	1	1	1
9	256-15457-00-00	GASKET	1	1	1	1

Oil CLEANER COVS (OLD TYPE)



Ref. No.	Part Number	Description	XS 1	XS 1B	XS 2	TX PSU	TX E
1	256-15421-04-00	COVER, crankcase right (256-15421-03)	1	1	1	1	
2	256-15451-00-00	GASKET, crankcase cover right	1	1	1	1	
3	91830-22016-00	PIN, dowel (9.8-12-16)	2	2	2	2	
4	91316-C8070-00	BOLT	4				
	91316-06075-00	BOLT	4	4	4	4	
5	91316-06035-00	BOLT	1				
	91316-06040-00	BOLT	1	1	1	1	
6	91316-06020-00	BOLT	5				
	91316-06025-00	BOLT	5	5	5	5	
7	256-15416-01-00	COVER, oil cleaner	1	1	1	1	
	256-15416-02-00	COVER, oil cleaner			1	1	
8	93210-50047-00	O-RING (3-49.5)	1				
	256-15456-00-00	GASKET	1	1	1	1	
9	91316-06020-00	BOLT	2				
	91316-06025-00	BOLT	2	2	2	2	
10	90430-06014-00	GASKET, holder (6.3-11-1.5, 256-11396-00)	4	4	4	4	

FWD