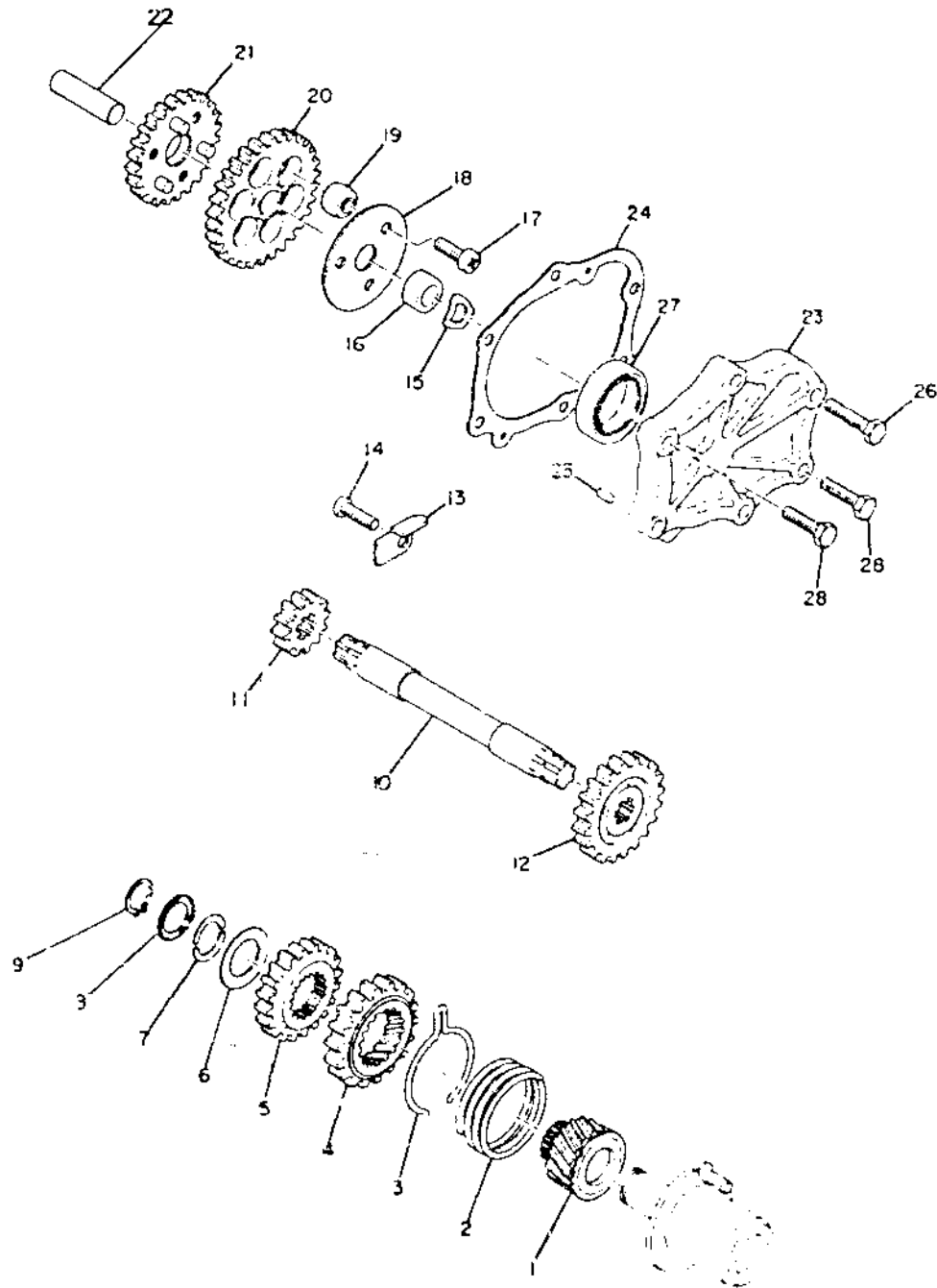


Ref No.	Part Number	Description	XS 1	XS 18	XS 2	TX 650
0-1	306-81800-12-00	ELECTRIC MOTOR ASS'Y . . . .	1			1
1	306-81850-11-00	. ARMATURE (306-81850-10)	1			1
2	306-81811-10-00	. BRUSH 1 . . . . .	1			1
3	306-81812-10-00	. BRUSH 2 . . . . .	1			1
4	306-81825-10-00	. COVER, electric motor 1 . . .	1			1
5	93101-17047-00	. OIL SEAL . . . . .	1			1
6	306-81827-10-00	. O-RING . . . . .		2		2
7	306-81893-10-00	. WASHER, special . . . . .	1			1
8	306-81828-10-00	. WASHER, thrust 1 . . . . .	1			1
9	306-81826-10-00	. COVER, electric motor 2 . . .		1		1
10	306-81829-10-00	. WASHER, thrust 2 . . . . .		2		2
11	306-81862-10-00	. CAP . . . . .	1			1
12	306-81823-10-00	. SCREW, special . . . . .		2		2
13	98701-04010-00	. SCREW, flat head . . . . .		2		2
14	90109-08393-00	BOLT, reamer (306-15551-00)		2		2
15	97323-08035-00	BOLT (97103-08035) . . . . .		2		2
16	92903-08200-00	WASHER, plain . . . . .		4		4
17	92903-08100-00	WASHER, spring . . . . .		4		4



FWB

Ref No.	Part Number	Description	1	19	2	650	B
1	306-15524-00-00	WHEEL, starter.....	1				1
2	90501-15360-00	SPRING, return (306-15572-00).....			1		1
3	306-15536-00-00	CLIP, starter.....			1		
	90468-29062-00	CLIP, starter (306-15536-01).....					1
4	99999-00959-00	GEAR 4 (25T) (306-15516-00).....			1		
	447-15516-00-00	GEAR.....			1		
	90501-15409-00	SPRING, compression.....			1		
	90468-29062-00	CLIP (90468-26012).....			1		
	447-15516-00-00	GEAR 4 (25T).....			1		1
5	306-15515-00-00	GEAR 3 (24T).....			1		
6	90201-17257-00	WASHER (17.2-20-1.0) (306-15561-00).....			1		1
7	306-15562-00-00	CLIP.....			2		2
8	306-15563-00-00	HOLDER, clip.....			1		1
9	93410-17008-00	CIRCLIP (S-17).....			1		1
10	306-15522-00-00	SHAFT 2.....			1		1
11	306-15514-00-00	GEAR 2 (24T).....			1		1
12	306-15513-00-00	GEAR 1 (24T).....			1		1
13	447-15531-00-00	PLATE, stopper.....			1		1
14	92503-06020-00	SCREW, pan head.....			1		
	92503-06018-00	SCREW, pan head.....					1
15	90206-12034-00	WASHER, wave (826-18195-00).....			1		1
16	90387-12093-00	COLLAR 1 (12-18-9.6) (306-15541-00).....			1		1
17	92503-06020-00	SCREW, pan head.....			3		3
18	306-15532-00-00	PLATE, idle gear.....			1		1
19	306-15571-00-00	ABSORBER.....			6		6
20	306-15512-00-00	GEAR, idler 1 (36T).....			1		1
21	306-15517-00-00	GEAR, idler 2 (26T).....			1		1
22	306-15521-00-00	SHAFT 1.....			1		1
23	306-15431-00-00	COVER, gear train.....			1		1
24	306-15452-00-00	GASKET, gear train cover.....			1		1
25	93604-08071-00	PIN, dowel (4-8).....			2		2
26	97301-06030-00	BOLT.....			4		4
27	93102-34095-00	OIL SEAL (SD-34-46-10.5).....			1		1
28	97301-06025-00	BOLT.....			2		2