

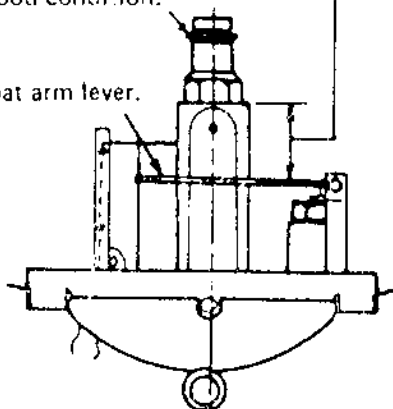
TORQUE SPECIFICATIONS

STUD DIA.	KG/M	FT-LBS	IN-LBS	STUD DIA.	KG/M	FT-LBS	IN-LBS
6mm	1.0	7	90	12mm	4.0-4.5	29-33	350-400
7mm	1.5	11	135	14mm	4.5-5.0	33-37	400-450
8mm	2.0	15	180	17mm	5.8-7.0	41-50	500-600
10mm	3.5-4.0	26-29	300-350	Spk. Plug	2.0	14	170

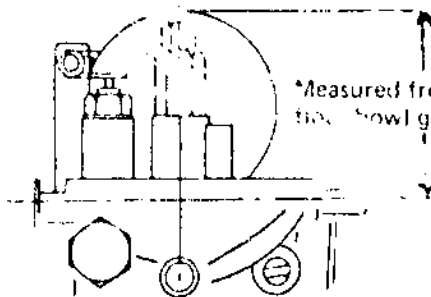
Float level measurement.

Rubber 'O' ring CRITICAL,
must be in good condition.

Float arm lever.



INDEPENDENT FLOATS



*Measured from top of float to
float bowl gasket surface.

INTERCONNECTED FLOATS