

YAMAHA INTERNATIONAL CORPORATION
MONTEBELLO, CALIFORNIA

DATE 10/2/70

XS1 FRAME, FOOTREST, BRAKE PEDAL SHAFT, & KICK AXLE MODIFICATION

Changes have been made to the frame and attached parts. In addition, the kick axle has also been modified because of these frame and parts changes.

The old type parts will be issued upon request until our current stock is gone, then the new parts will automatically be sent out.

KICK AXLE:

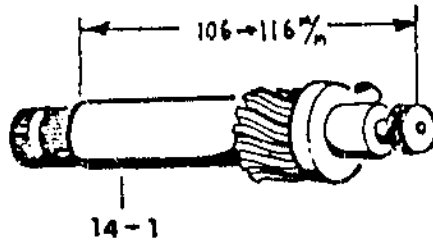
The kick axle has been lengthened 10mm so the kick crank can clear the extended brake pedal.

Note: Interchangeability between the old and new frame and kick axle is listed below:

Old frame + new kick axle: O.K.

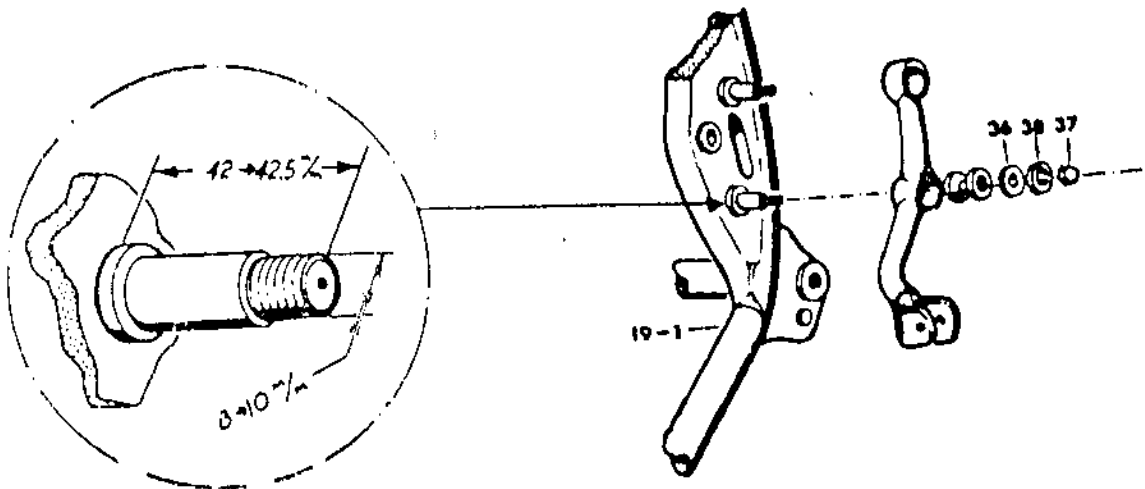
New frame + old kick axle: NO. Will hit the brake.

This kick axle became a factory installed part starting with engine number 005803.



FOOTREST MOUNT:

The footrest mounting pins on the frame (L.H. & R.H. sides) have been lengthened from 42mm to 42.5mm, and the thread diameter has been increased from 8mm to 10mm.



-continued-

K2

X51 FRAME, FOOTREST, BRAKE PEDAL SHAFT, & KICK AXLE MODIFICATION

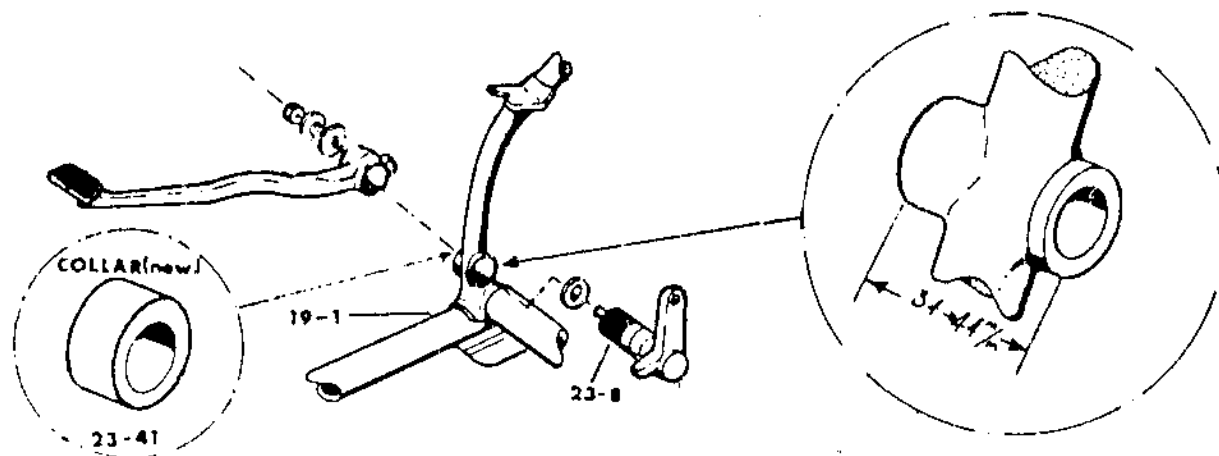
BRAKE PEDAL SHAFT:

The brake pedal shaft length has been increased by 10 millimeters, and the shaft mounting boss has been widened by 10mm. This moves the brake pedal out 10mm more.

Note: Interchangeability between old and new frame and pedal shaft is listed below.

Old frame + new shaft: O.K. if you install the special collar (Pt. No. 256-27213-09-00) between the pedal and frame boss.

New frame + old shaft: NO



FRAME:

The frame was modified to accept the lengthened brake pedal shaft, starting with engine number 006411. At the same time the footrest pin dimensions were changed.

ORDERING INFORMATION:

REF. NO.	DESCRIPTION	OLD PART NO.	NEW PART NO.	QTY.	PRICE	REMARKS
14-1	Kick Axle Assy	256-15660-00-00	256-15660-01-00	1		
19-1	Frame, Comp.	256-21110-00-33	256-21110-01-33	1		Incorporates changes to brake pedal boss, foot peg mounting pins
23-8	Shaft, brake pedal	256-27212-00-00	256-27212-01-00	1		
23-36	Washer, spec.	137-24186-00-00	256-27219-00-00	4		To mount footrest
23-37	Nut, crown	98803-08700-00	92803-10700-00	4		To mount footrest
23-38	Washer, spring	92901-06100-00	92901-10100-00	4		To mount footrest
23-41	Collar, brake shaft	-----	256-27213-09-00	1		Add to Ptg. Book