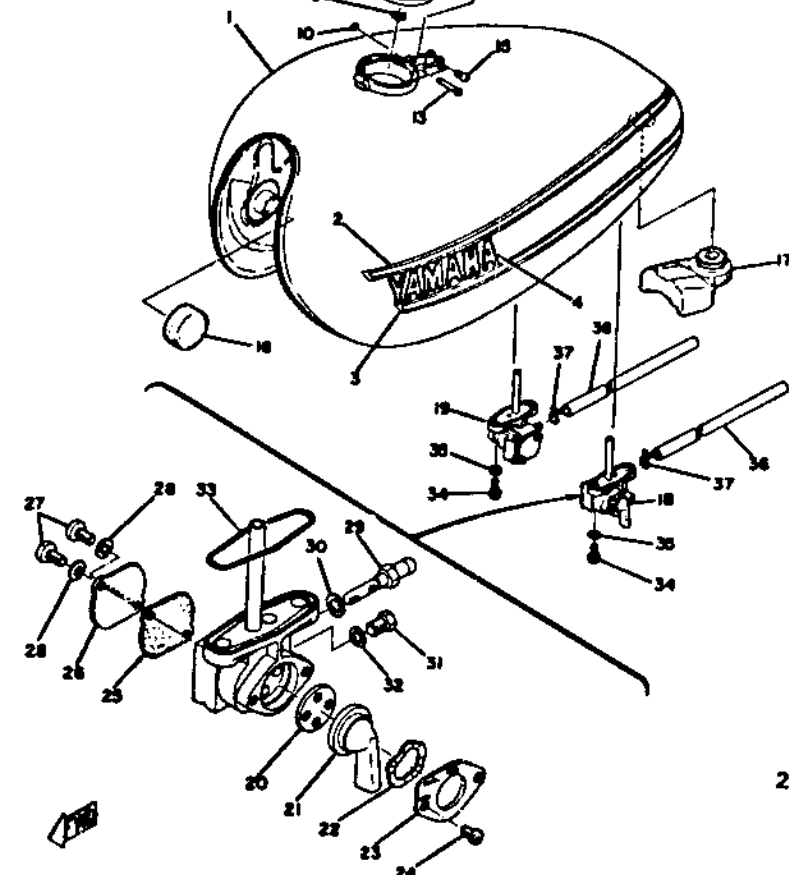
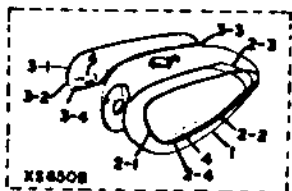


FUEL TANK TX650A/XS650B



Ref. No.	Part Number	Description	A	B
1	99999-00893-00	FUEL TA COMP. (A)	1	
	447-24110-00-02	FUEL TANK COMP. (A)	1	
	584-24602-00-00	FUEL TANK CAP ASS'Y (A)		1
	90249-03123-00	PIN..... (A)	1	
	93430-02001-00	CIRCLIP..... (A)	1	
	98501-05010-00	SCREW, pan head (98503-05008) (A)	1	
	92903-05100-00	WASHER, spring (92901-05100) (A)	1	
	99999-00896-00	FUEL TANK COMP..... (B)		1

TX650A/XS650B

	584-24602-00-00	FUEL TANK CAP ASS'Y..... (B)		1
	90249-03123-00	PIN..... (B)	1	
	93430-02001-00	CIRCLIP..... (B)	1	
	98501-05010-00	SCREW, pan head (98503-05008) (B)	1	
	92903-05100-00	WASHER, spring (92901-05100)... (B)	1	
2	341-24254-01-00	STRIPE 1..... (A)	2	

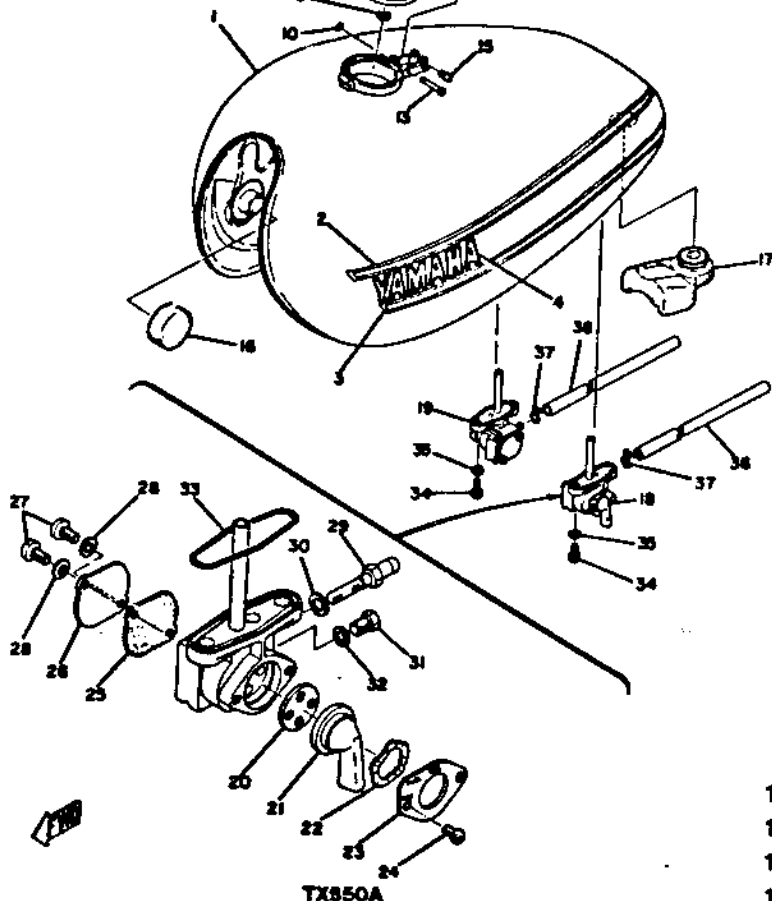
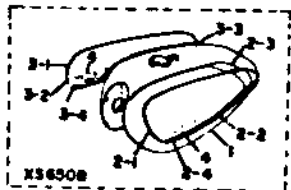
TX650A/XS650B

TX650A

FUEL TANK (QUANTITY) (MINIMUM OCTANE)	3.50 gal. Low Lead
---------------------------------------	--------------------

XS650B

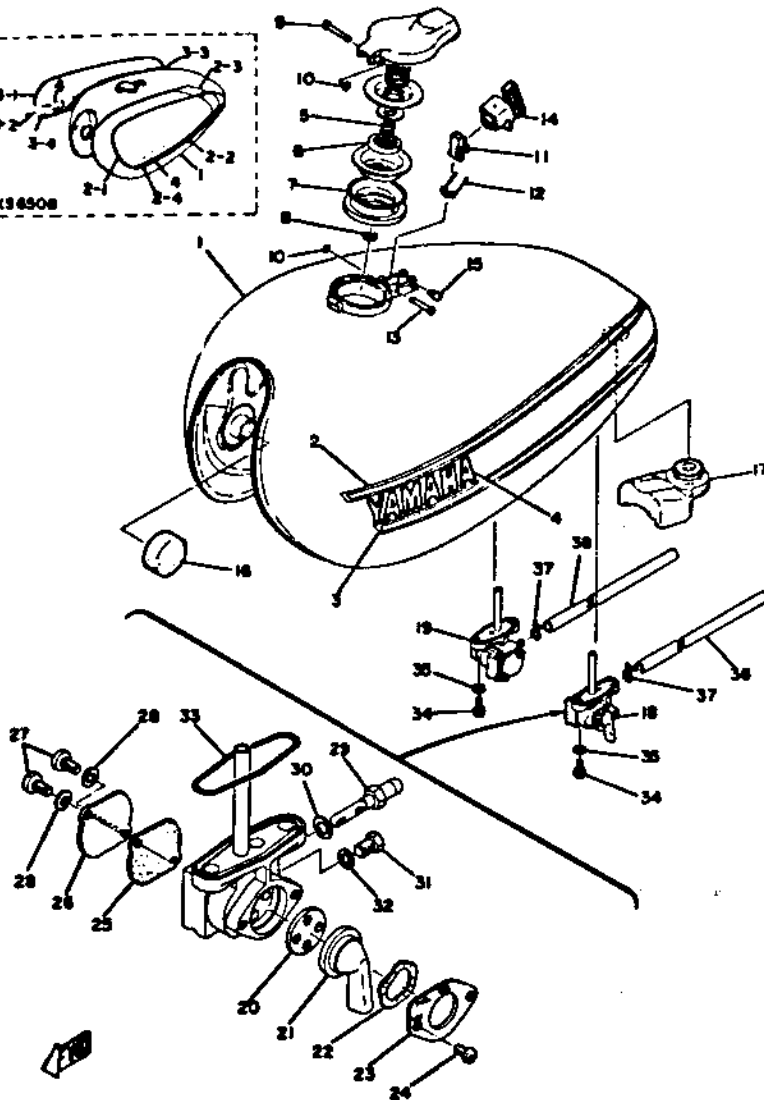
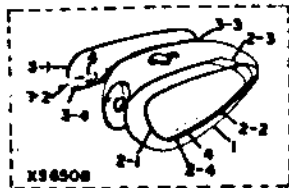
Fuel Tank	4.0 gal. Unleaded or Low Lead (Regular)
-----------	-----------------------------------------



TX650A

FUEL TANK (QUANTITY) (MINIMUM OCTANE)	3.98 gal. Low Lead
XS650B	
Fuel Tank	4.0 gals. Unleaded or Low Lead (Regular)

Ref. No.	Part Number	Description	A
2-1447-24244-10-00	GRAPHIC, fuel tank 1	(B)	1
2-2447-24244-10-00	GRAPHIC, fuel tank 1	(B)	1
2-2447-24248-10-00	GRAPHIC, fuel tank 3	(B)	1
2-3447-24248-10-00	GRAPHIC, fuel tank 5	(B)	1
2-4447-24254-10-00	GRAPHIC, fuel tank 7	(B)	1
3 341-24255-01-00	STRIPE 2	(A)	2
3-1447-24245-10-00	GRAPHIC, fuel tank 2	(B)	1
3-2447-24247-10-00	GRAPHIC, fuel tank 4	(B)	1
3-3447-24249-10-00	GRAPHIC, fuel tank 6	(B)	1
3-4447-24255-10-00	GRAPHIC, fuel tank 8	(B)	1
4 322-24181-00-00	EMBLEM, fuel tank	2	2
TX650A/XS650B			
0-1341-24653-00-00	CAP ASSY	1	1
5 308-24642-00-00	GASKET, cap 2	1	1
6 308-24641-00-00	GASKET, cap 1	1	1
7 341-24612-01-00	PACKING, cap	1	1
8 93430-06005-00	CIRCLIP (E-6)	1	1
9 90249-03087-00	PIN 1	1	1
10 93430-02001-00	CIRCLIP (E-2)	2	2
11 341-24628-00-00	HOOK	1	1
12 90508-07235-00	SPRING	1	1
13 90249-03088-00	PIN 2	1	1
14 341-24602-01-00	KEY COMP	1	1
15 98511-04018-00	SCREW, pan head (98501-04018)	1	1
16 156-24181-00-00	DAMPER, tank locating	2	2



Ref. No.	Part Number	Description	A	B
17	256-24181-01-00	DAMPER, locating 1	1	1
18	447-24500-02-00	FUEL COCK ASS'Y, left	1	1
19	447-24510-02-00	FUEL COCK ASS'Y, right	1	1
20	137-24523-00-00	VALVE	2	2
21	447-24524-00-00	LEVER, cock	2	2
22	132-24518-00-00	WASHER, wave	2	2
23	447-24525-00-00	PLATE, lever fitting	1	1
	447-24546-00-00	PLATE, lever fitting	1	1
24	98503-03006-00	SCREW, pan head	4	4
25	647-14227-00-00	PACKING, filter	2	2
26	256-24521-00-00	COVER, filter	2	2
27	98501-04008-00	SCREW, pan head	4	4

TX650A/XS650B

28	92901-04100-00	WASHER, spring	4	4
29	256-24537-00-00	NIPPLE	2	2
30	256-24528-00-00	GASKET	2	2
31	97801-05006-00	PLUG, drain	2	2
32	801-24437-00-00	GASKET	2	2
33	256-24512-00-00	GASKET, body	2	2
34	90149-06011-00	SCREW	4	4
35	90202-06010-00	WASHER, plate	4	4
36	90445-09083-00	HOSE (9-155)	1	1
37	90467-08003-00	CLIP	4	4
38	90445-09078-00	HOSE (9-135)	1	1

TX650A/XS650B

TX650A

FUEL TANK (QUANTITY) (MINIMUM OCTANE)	3.96 gal. Low Lead
---------------------------------------	--------------------