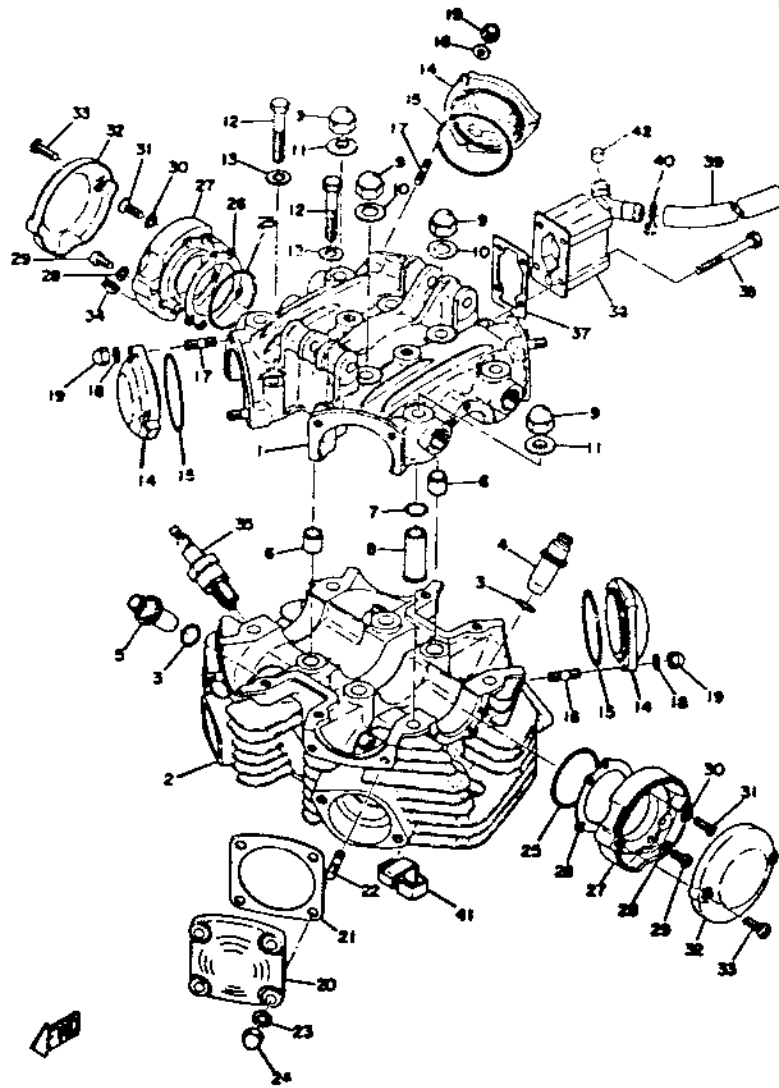


CYLINDER HEAD - CYLINDER HEAD COVER TX650A/XS



Ref. No.	Part Number	Description	A	B	C	Remarks
0-12F0-11110-00-00		CYLINDER HEAD ASS'Y (306-11110-09)	1	1		
1		COVER, cylinder head	1	1		N/A
2		HEAD, cylinder	1	1		N/A
3	93210-15151-00	O-RING (1.5-4.5)	4	4		
4	341-11133-11-00	BUSHING, valve guide intake (1st OS) (256-11133-11)	2	2		Alt. Part
	256-11133-21-00	BUSHING, valve guide intake (2nd O.S.)	2	2		Alt. Part

TX650A/XS650B

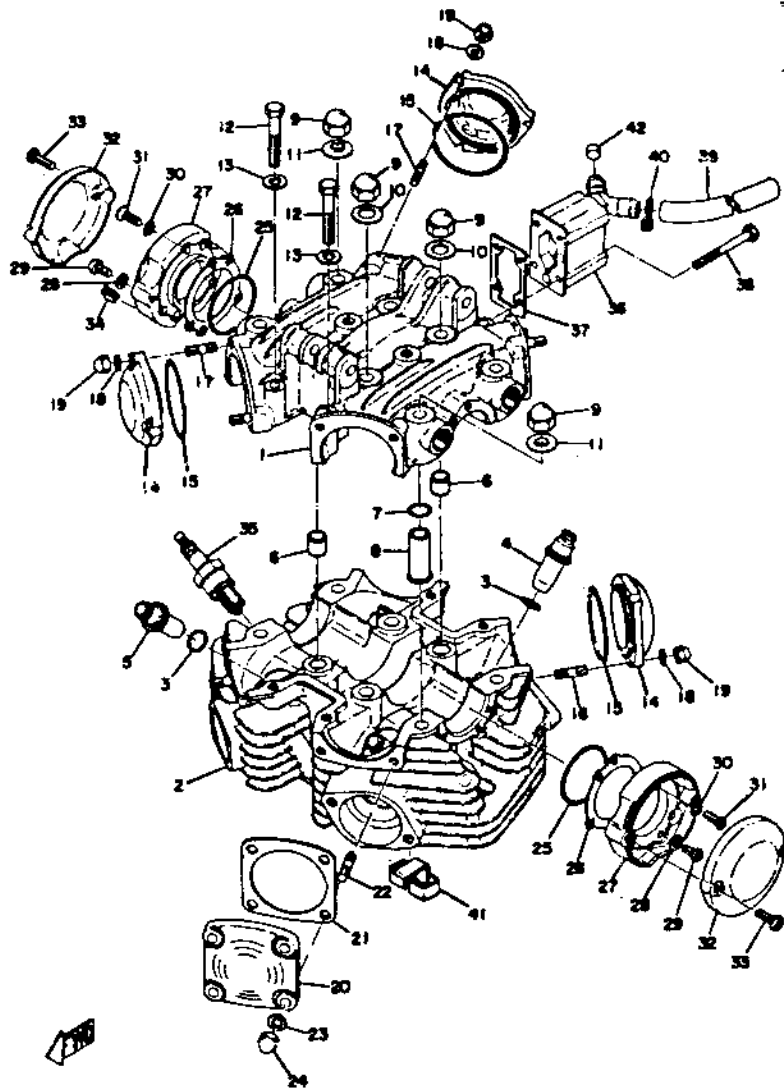
5	341-11134-11-00	BUSHING, valve guide (1st O.S.) (256-11134-11)	2	2		
	[256-11134-21-00]	BUSHING, valve guide exhaust (2nd O.S.)	2	2		
6	91830-24016-00	PIN, dowel (12.3-15-16) (91800-16016)	2	2		
7	93210-12152-00	O-RING (1.8-11.5)	4	4		

TX650A/XS650B

TX650A/XS650B

ENGINE (type, induction system)	4-stroke, Twin, Air-cooled	
Bore x Stroke x Cylinder	Displacement	75 x 74mm x 2 663cc (39.85 CID)
Compression Ratio	8.4:1	

CYLINDER HEAD - CYLINDER HEAD COVER TX650A/XS650



Ref. No.	Part Number	Description	A	B	C	Remarks
8	256-11199-00-00	SLEEVE, cylinder head cover	4	4		
9	90176-10008-00	NUT (256-11171-00)	8	8		
10	90201-10131-00	WASHER, plate (256-11174-00)	4	4		
11	90210-10004-00	WASHER, seal (256-11173-02)	4	4		
12	97321-08060-00	BOLT, hexagon	4	4		
13	92903-08200-00	WASHER, plain	4	4		
14	447-11186-00-00	COVER, cylinder head side 1	3	3		M6-040

TX650A/XS650B

15	256-11196-01-00	GASKET, cylinder head side 1	3	3		M6-040
16	90116-06017-00	BOLT, stud (256-11179-00)	3	3		
17	90116-06016-00	BOLT, stud (306-11179-00)	6	6		
18	92903-06200-00	WASHER, plain (A)	9			
19	95303-06800-00	NUT, crown	9	9		
20	99999-00856-00	COVER, cylinder head side 3 (306-11185-C9)	1	1		
	447-11185-00-00	COVER, cylinder head	1	1		
	93210-62451-00	O-RING	1	1		
	3G1-W0001-00-XX	TOP END GASKET KIT				

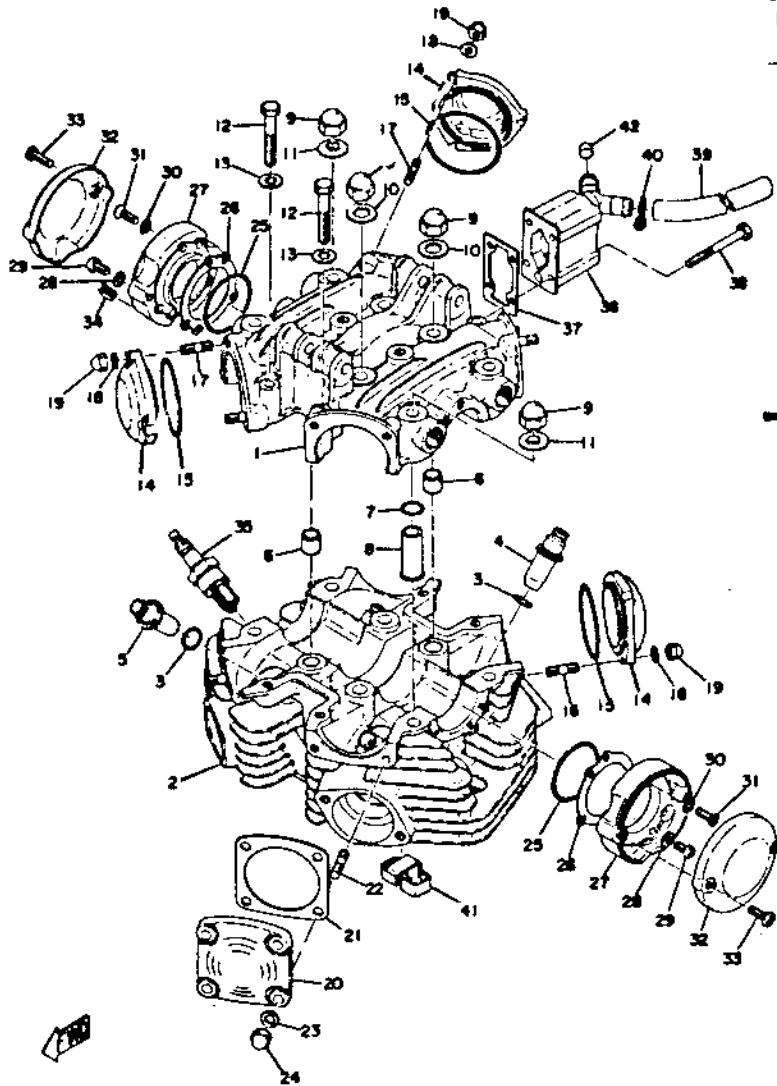
See Grid X-6 for Comp. Parts

TX650A/XS650B

TX650A/XS650B

ENGINE (TYPE) (INDUCTION SYSTEM)	Air-cooled, four-stroke, OHV Twin
BORE/STROKE/CYLINDERS/DISPLACEMENT	75x74mm x 2 653cc (39.83 CID)
COMPRESSION RATIO/NOMINAL PRESSURE	8.4:1 / 145 psi

CYLINDER HEAD - CYLINDER HEAD COVER TX650A/XS650B



Ref. No.	Part Number	Description	A	B	C	Remarks
21	306-11198-00-00	GASEKT.....	1	1		
22	90116-08150-00	BOLT, stud (802-13658-00)	4	4		
23	92903-08200-00	WASHER, plain	4	4		
24	95303-08800-00	NUT, crown.....	4	4		
25	93210-45150-00	O-RING (2.3-45).....	2	2		
26	256-11146-00-00	GASKET, breaker cover	2	2		
27	256-11157-03-00	COVER, breaker 1 ...	2	2		

TX650A/XS650B

28	92903-06200-00	WASHER, plain	2	2		
29	92503-06015-00	SCREW (90147-06001)	2	2		
30	92903-06500-00	WASHER, tooth (92901-06500)	6	6		
31	92701-06015-00	SCREW, flat head. ...	6	6		
32	256-11158-01-00	COVER, breaker 2 ...	2	2		
33	91903-06020-00	SCREW, bind	4	4		
3G1-W0001-00-XX TOP END GASKET KIT						

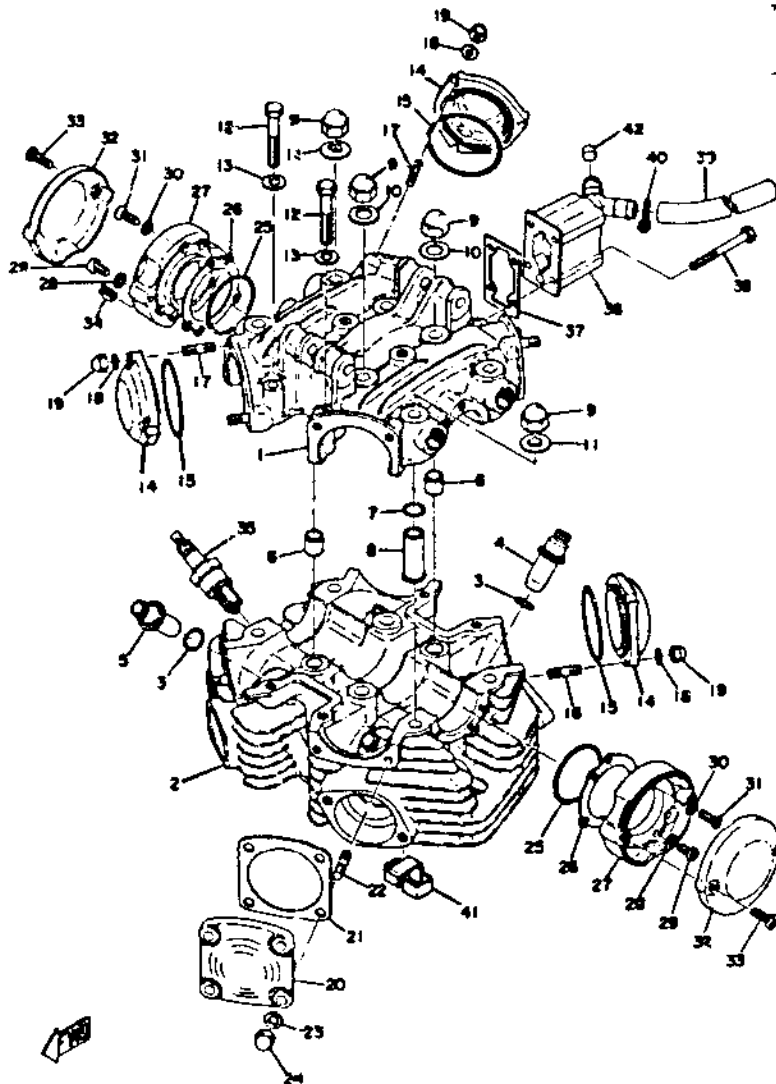
See Grid K-6
for Comp.
Parts

TX650A/XS650B

TX650A/XS650B

ENGINE (type, induction system)		4-stroke, Twin, Air-cooled	
Bore x Stroke x Cylinder	Displacement	75 x 74mm x 2	653cc (39.85 CIO)
Compression Ratio		8.4:1	

CYLINDER HEAD - CYLINDER HEAD COVER TX650A/XS650B



Ref. No.	Part Number	Description	A	B	C	Rem.
34	90338-12044-00	PLUG, blind (256-11159-00)	1	1		
35	NGK-B8ES0-00-00	PLUG, spark (94701-G0045)	2	2		
36	447-11108-02-00	BREATHER COVER ASS'Y.....	1	1		
37	256-11169-01-00	GASKET, breather cover	1	1		
38	91316-06060-00	BOLT	4	4		
39	447-11166-00-00	PIPE, breather 1 ... (A)	2			
	447-11166-00-00	PIPE, breather 1 ... (B)		1		

TX650A/XS650B

40	90467-14011-00	CLIP (256-11189-00) ... (A)	2			
	90467-14011-00	CLIP (256-11189-00) ... (B)		1		
41	447-11135-00-00	PLATE, breather 3 (B)	1			
42	90338-10040-00	PLUG	(B)	1		
	3G1-W0001-00-XX	TOP END GASKET KIT				

See Gr
for C
Pa

TX650A/XS650B

TX650A/XS650B

ENGINE (type, induction system)	4-stroke, Twin, Air-cooled		
Bore x Stroke x Cylinder	Displacement	75 x 74mm x 2	653cc (39.85 CID)
Compression Ratio	8.4:1		