

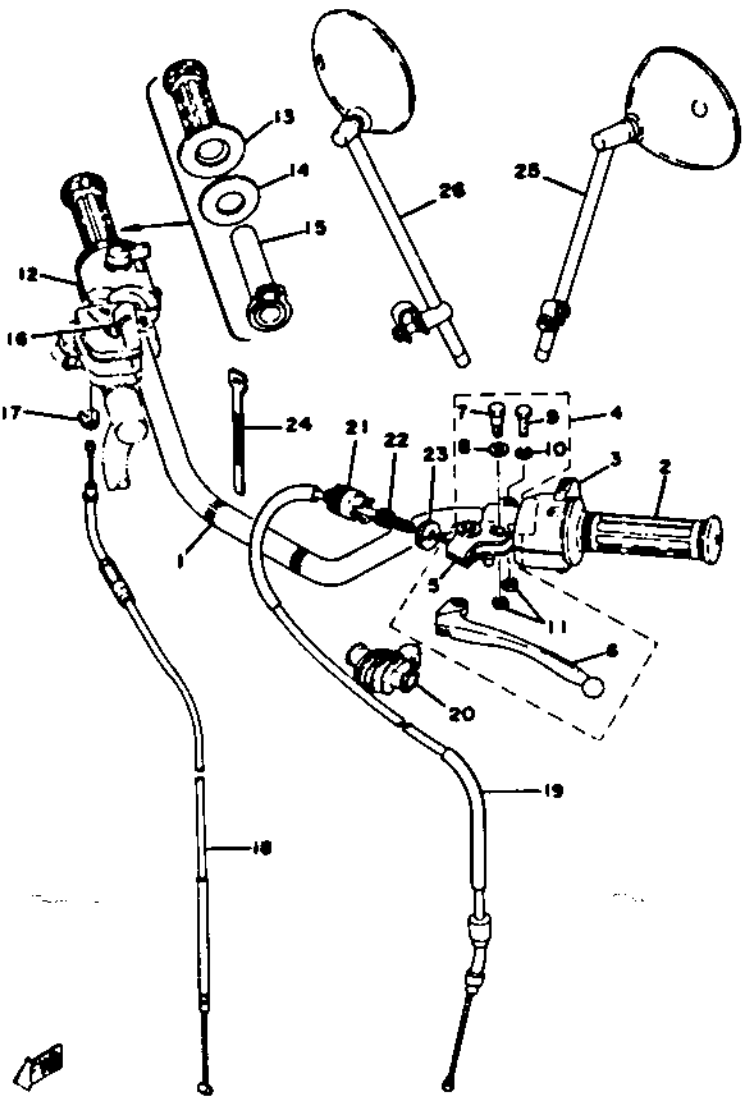
Ref. No.	Part Number	Description	DEF	Remarks
1	584-26111-10-00	HANDLE	1	
2	1E6-26241-00-00	GRIP, left	1	
3	1T3-83973-00-00	SWITCH, handle 3.....	1	Low Gloss Blk
4	1J3-82910-00-00	LEVER HOLDER ASS'Y, left.....	1	
5	341-82911-00-00	. HOLDER, lever left.....	1	
6	1J3-83912-10-00	. LEVER, left	1	
7	97301-06022-00	. BOLT, hexagon.....	2	
8	92903-06100-00	. WASHER, spring	1	
9	214-83913-00-00	. COLLAR, lever.....	1	
10	95601-06100-00	. NUT, U.....	2	
11	584-83963-00-00	SWITCH, handle 3 right.....	1	

XS650D

12	1A0-26242-01-00	GRIP, right.....	1	
13	278-26249-00-00	RING, leaf.....	1	
14	584-26243-00-00	TUBE, guide.....	1	
15	584-26393-02-00	CLIP, grommet.....	1	
16	584-26311-10-00	WIRE, throttle 1 (1010mm)	1	
17	447-26335-00-00	WIRE, clutch (1235mm).....	1	
18	90123-08048-00	BOLT, adjusting (90123-08053)	1	
19	90179-08148-00	NUT (90179-08041)	1	
20	437-83936-00-00	BAND, switch cord	2	
21	1T3-26290-01-00	BACK MIRRORS ASS'Y (1T3-26290-00)	2	
22	90387-22591-00	COLLAR	1	

Replacement knobs for handlebar switches are now available. Parts necessary for installation are included in each knob set. The part numbers for replacement switch knob sets, available for this model, are as follows:

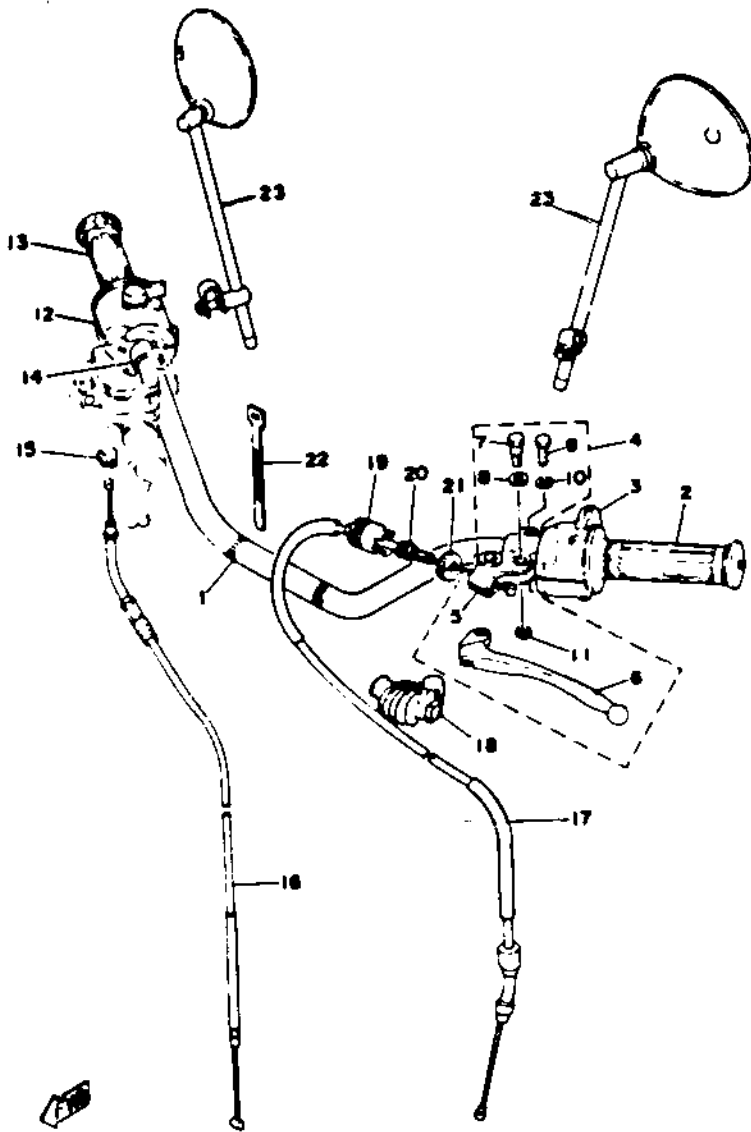
1A0-W0087-20-00	FLASHER SWITCH	M7-017
397-W0087-30-00	LIGHTING SWITCH	M7-017
1A0-W0087-10-00	DIMMER SWITCH	M7-017



Ref. No.	Part Number	Description	DEF
1	584-26111-10-00	HANDLE	1
2	1E6-26241-00-00	GRIP, left	1
3	1T3-83973-00-00	SWITCH, handle 3.....	1
4	1J3-82910-22-00	LEVER HOLDER ASS'Y, left (1J3-82910-21)	1
5	341-82911-00-00	. HOLDER, lever left.....	1
6	583-83912-00-00	. LEVER, left	1
7	90109-06410-00	. BOLT	1
8	90201-08083-00	. WASHER, plate (156-27226-00)	1
9	97301-06022-00	. BOLT, hexagon.....	1
10	92903-06100-00	. WASHER, spring	1
11	95601-06100-00	. NUT, U.....	2
12	584-83963-00-00	SWITCH, handle 3 right.....	1
13	1A0-26242-01-00	GRIP, right (1V1-26242-00).....	1

XS650E

14	278-26249-00-00	RING, leaf.....	1
15	584-26243-00-00	TUBE, guide.....	1
16	90387-22591-00	COLLAR (22-26-15).....	1
17	584-26393-02-00	CLIP, grommet.....	1
18	584-26311-10-00	WIRE, throttle (1010mm).....	1
19	447-26335-00-00	WIRE, clutch (1235mm).....	1
20	1E6-26342-00-00	COVER	1
21	1E6-26372-00-00	COVER, handle lever left	1
22	90123-08046-00	BOLT, adjusting	1
23	90179-08148-00	NUT, adjusting (168-26344-00)	1
24	437-83936-00-00	BAND, switch cord	2
25	1T3-26290-01-00	BACK MIRROR ASS'Y, left	1
26	1T3-26290-01-00	BACK MIRROR ASS'Y, right	1

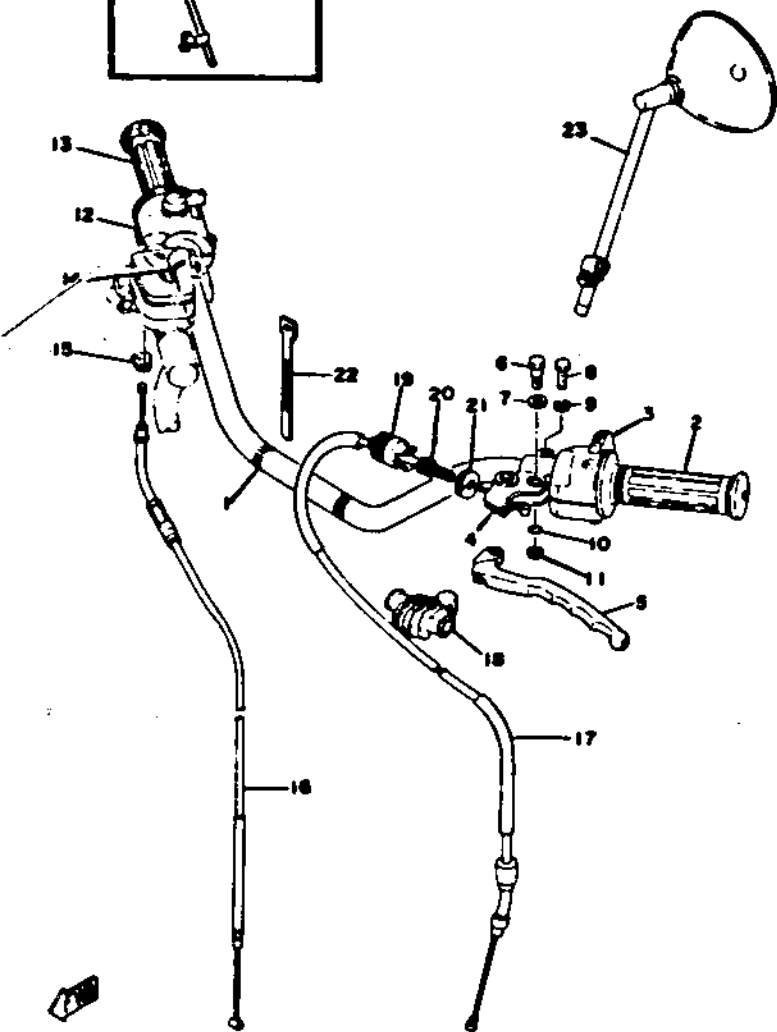
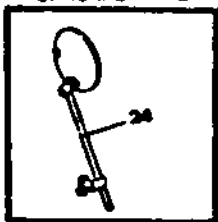


Ref. No.	Part Number	Description	DE
1	584-26111-10-00	HANDLE	1
2	2H7-26241-00-00	GRIP, left	1
3	1T3-83973-00-00	SWITCH, handle 3.....	1
4	1J3-82910-22-00	LEVER HOLDER ASS'Y, left.....	1
5	341-82911-00-00	. HOLDER, lever left.....	1
6	583-83912-00-00	. LEVER, left	1
7	90109-06410-00	. BOLT	1
8	90201-08083-00	. WASHER, plate (156-27226-00)	1
9	97303-06022-00	. BOLT, hexagon.....	1
10	92903-06100-00	. WASHER, spring	1
11	95601-06100-00	. NUT, U.....	1

XS650E006501

12	584-83963-00-00	SWITCH, handle 3 right	1
13	2H7-26240-00-00	GRIP ASS'Y, right	1
14	90387-22591-00	COLLAR (22-26-15).....	1
15	584-26393-02-00	CLIP, grommet.....	1
16	584-26311-10-00	WIRE, throttle (1010mm).....	1
17	447-26335-00-00	WIRE, clutch (1235mm).....	1
18	1E6-26342-00-00	BOOT	1
19	1E6-26372-00-00	COVER, handle lever left	1
20	90123-08046-00	BOLT, adjusting	1
21	90179-08148-00	NUT, adjusting (168-26344-00)	1
22	437-83936-00-00	BAND, switch cord	2
23	1T3-26290-01-00	BACK MIRROR ASS'Y	2

OPTIONAL PARTS



Ref. No.	Part Number	Description	DEF
1	584-26111-10-00	HANDLE	1
2	2H7-26241-00-00	GRIP, left	1
3	1G3-83973-00-00	SWITCH, handle 3.....	1
4	341-82911-00-00	HOLDER, lever left	1
5	2H0-83912-20-00	LEVER, left.....	1
6	2H7-83945-00-00	BOLT, lever.....	1
7	90201-08083-00	WASHER, plate (156-27226-00)	1
8	97303-06022-00	BOLT, hexagon.....	1
9	92903-06100-00	WASHER, spring.....	1
10	93210-11368-00	O-RING.....	1
11	95601-06100-00	NUT, U	1
12	2L0-83975-00-98	SWITCH, handle 2 right.....	1
<h1>XS650F</h1>			
13	2H7-26240-00-00	GRIP ASS'Y, right	1
	90387-22591-00	COLLAR (22-26-15).....	1
14	90387-22591-00	COLLAR (22-26-15).....	1
15	584-26393-02-00	CLIP, grommet.....	1
16	584-26311-10-00	WIRE, throttle (1010mm).....	1
17	447-26335-00-00	WIRE, clutch (1235mm).....	1
18	1E6-26342-00-00	BOOT	1
19	1E6-26372-00-00	COVER, handle lever left	1
20	90123-08046-00	BOLT, adjusting	1
21	90179-08148-00	NUT, adjusting (168-26344-00)	1
22	437-83936-00-00	BAND, switch cord	2
23	1T3-26290-01-00	BACK MIRROR ASS'Y, left	1
24	1T3-26290-01-00	BACK MIRROR ASS'Y, right.....	1