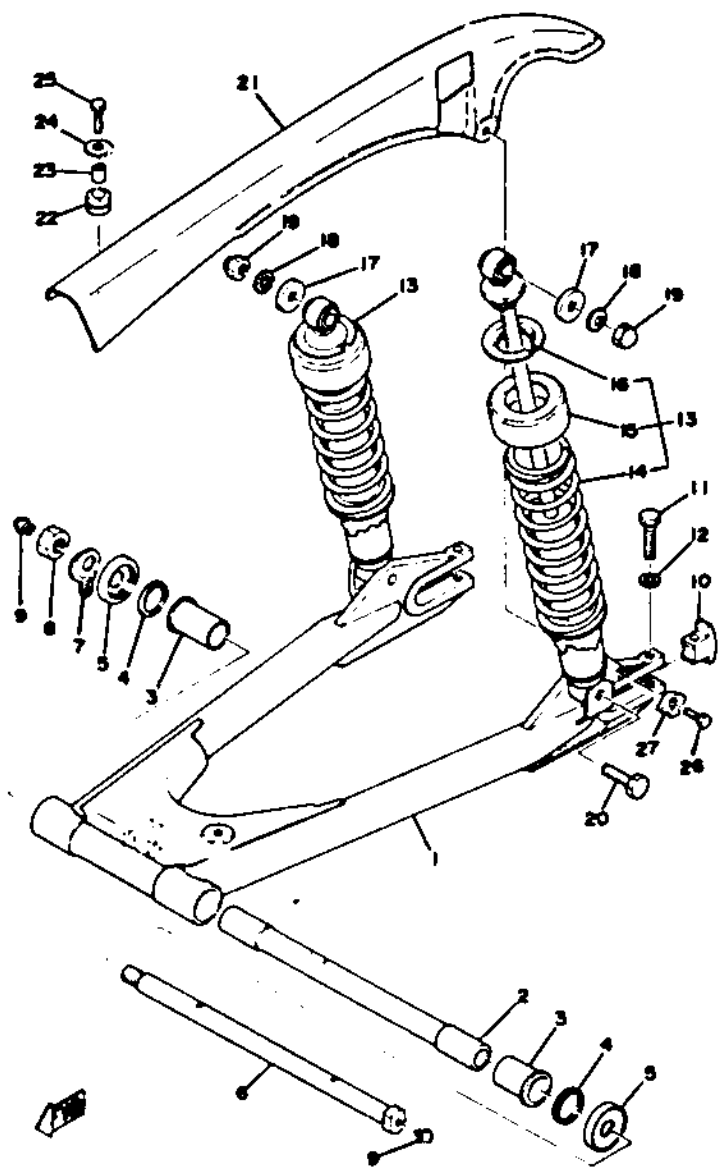


| Ref. No. | Part Number | Description | DEF |
|----------|-----------------|----------------------------------|--------|
| 1 | 447-22110-00-98 | REAR ARM COMP. (447-22110-00-33) | 1 1 1 |
| 2 | 341-22184-00-00 | BUSHING (447-22184-00) | 1 1 1 |
| 3 | 90386-22029-00 | BUSHING (256-22123-01) | 2 2 2 |
| 4 | 240-22127-00-00 | SHIM, rear arm (26-34-0.3) | URURUR |
| 5 | 447-22128-00-00 | COVER, thrust | 2 2 2 |
| 6 | 447-22141-00-00 | SHAFT, pivot | 1 1 1 |
| 7 | 90215-14055-00 | WASHER, lock (447-22149-00) | 1 1 1 |
| 8 | 90170-14174-00 | NUT, hexagon | 1 1 1 |
| 9 | 93700-06004-00 | NIPPLE, grease | 2 2 2 |
| 10 | 341-22177-00-00 | END, rear arm | 2 2 2 |
| 11 | 97301-08040-00 | BOLT, hexagon | 2 2 2 |
| 12 | 92903-08100-00 | WASHER, spring | 2 2 2 |
| 13 | 1T3-22210-21-00 | REAR CUSHION ASS'Y | 2 2 2 |
| | 2F0-22210-10-00 | REAR CUSHION ASS'Y | 2 |
| 14 | 1T3-22212-20-00 | SPRING, rear cushion | 2 2 2 |
| | 2F0-22212-10-00 | SPRING, rear cushion | 2 |
| 15 | 447-22211-21-00 | COVER, outer | 2 2 2 |
| 16 | 341-22213-20-00 | GUIDE, spring | 2 2 2 |
| 17 | 90201-10142-00 | WASHER, plate (341-22243-00) | 2 2 2 |



| Ref. No. | Part Number | Description | D | E | F |
|----------|-----------------|--------------------------------|---|---|---|
| 18 | 92903-10100-00 | WASHER, spring | 2 | 2 | 2 |
| 19 | 90176-10013-00 | NUT, cap(650D) | 2 | | |
| | 90176-10009-00 | NUT, cap (650E/F) | 2 | 2 | |
| 20 | 90106-10025-00 | BOLT, round (214-22241-00).... | 2 | 2 | 2 |
| 21 | 447-22311-02-98 | CHAIN CASE | 1 | 1 | 1 |
| 22 | 90480-14102-00 | GROMMET (214-21717-00) | 1 | 1 | 1 |
| 23 | 90387-07390-00 | COLLAR (7-10-11.5) | 1 | 1 | 1 |
| 24 | 90201-06066-00 | WASHER, plate (101-28323-00) | 1 | 1 | 1 |
| 25 | 97301-06025-00 | BOLT, hexagon. | 1 | 1 | 1 |
| 26 | 97303-06020-00 | BOLT, hexagon. | 1 | 1 | 1 |
| 27 | 90215-06117-00 | WASHER | 1 | 1 | 1 |

OPTIONAL EQUIPMENT

| | | |
|-----------------|------------------------------|---|
| 2F0-22210-10-00 | REAR CUSHION ASS'Y | 2 |
| 2F0-22212-10-00 | . SPRING, rear cushion | 2 |