

Ref. No.	Part Number	Description	DEF
1	2F0-24110-00-03	FUEL TANK COMP .....	1
2	2F0-24244-10-00	. GRAPHIC, fuel tank upper left	1
3	2F0-24245-10-00	. GRAPHIC, fuel tank upper right	1
4	2F0-24161-10-00	EMBLEM, fuel tank left .....	1
5	2F0-24162-10-00	EMBLEM, fuel tank right .....	1
6	90152-04006-00	SCREW.....	4
7	584-24602-00-00	TANK CAP ASS'Y .....	1
8	98501-05010-00	SCREW, pan head (98503-05C08).....	1
9	92903-05100-00	WASHER, spring .....	1
10	90249-03123-00	PIN .....	1
11	93430-02001-00	CIRCLIP (E-1.9).....	1

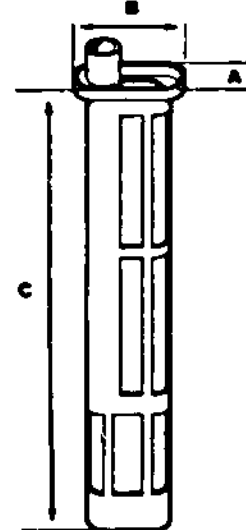
# XS650F

12	156-24181-00-00	DAMPER, locating 1 .....	2
13	256-24181-01-00	DAMPER, locating 1 .....	1
14	97321-06016-00	BOLT, hexagon. ....	1
15	92903-06100-00	WASHER, spring (92901-06100)	1
16	90201-06075-00	WASHER, plate (808-24186-00)	1
17	2M0-24500-04-00	FUEL COCK ASS'Y, left (2M0-24500-03) .....	1
18	2M0-24510-04-00	FUEL COCK ASS'Y, right (2M0-24510-01) .....	1
19	2G2-24512-00-00	. GASKET, fuel cock.....	2
20	2G2-24524-00-00	. LEVER, fuel cock left .....	1
	2G2-24524-10-00	. LEVER, fuel cock right.....	1
21	2G2-24525-00-00	. PLATE, lever fitting left .....	1
	2G2-24525-10-00	. PLATE, lever fitting right .....	1
22	2G2-24518-00-00	. WASHER, wave .....	2
23	2G2-24534-00-00	. SEAL, fuel cock .....	2
24	2G2-24523-00-00	. GASKET, fuel cock.....	2
25	98501-03008-00	. SCREW, oval head.....	4

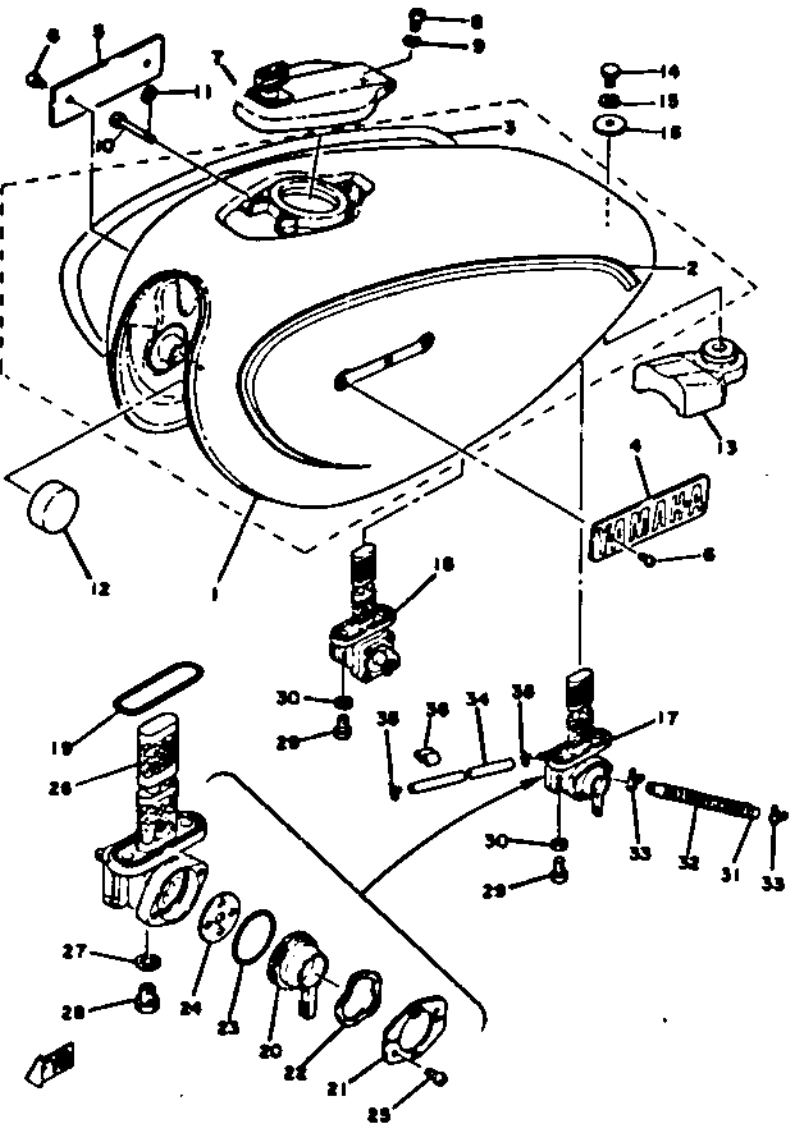
Fuel Type/Fuel Tank Capacity/Reserve Capacity Regular / 15 Lit. (4 Gal.) / 2.5 Lit. (0.8 Gal.)

Ref. No.	Part Number	Description	DEF	Remarks
26		. See NOTE on Grid F-7 .....		
27	2G2-24522-00-00	. GASKET, drain plug .....	2	
28	2G2-24543-00-00	. PLUG, drain.....	1	
29	90149-06008-00	BOLT, cock connecting (366-24143-00) .....	4	
30	90202-06010-00	WASHER, protector (178-14766-00) .....	4	
<h1>XS650F</h1>				
31	90445-10133-00	HOSE .....	2	
32	90504-06023-00	SPRING, compression .....	2	
33	90467-09006-00	CLIP .....	4	
34	90445-07370-00	HOSE, vacuum.....	2	
35	90467-07029-00	CLIP .....	4	
36	878-82361-00-00	CLAMP .....	2	

Due to factory modification campaign (Tech Bulletin M80-022) on this model, the Pet Cock filters for the old and new Pet Cocks are different. Before ordering, determine which Pet Cock is used. This can be done by comparing the following dimensions with the part you are replacing.



A 10 MM  
B 22.3 MM  
C 94.3 MM



Fuel Type/Fuel Tank Capacity/Reserve Capacity	Regular / 15 Lit. (4 Gal.) / 2.5 Lit. (0.8 Gal.)
---	--

If the Pet Cock that is being replaced has the measurements shown, order 3Y1-24514-00-00. If it does not have these measurements, order 3G1-24514-00-