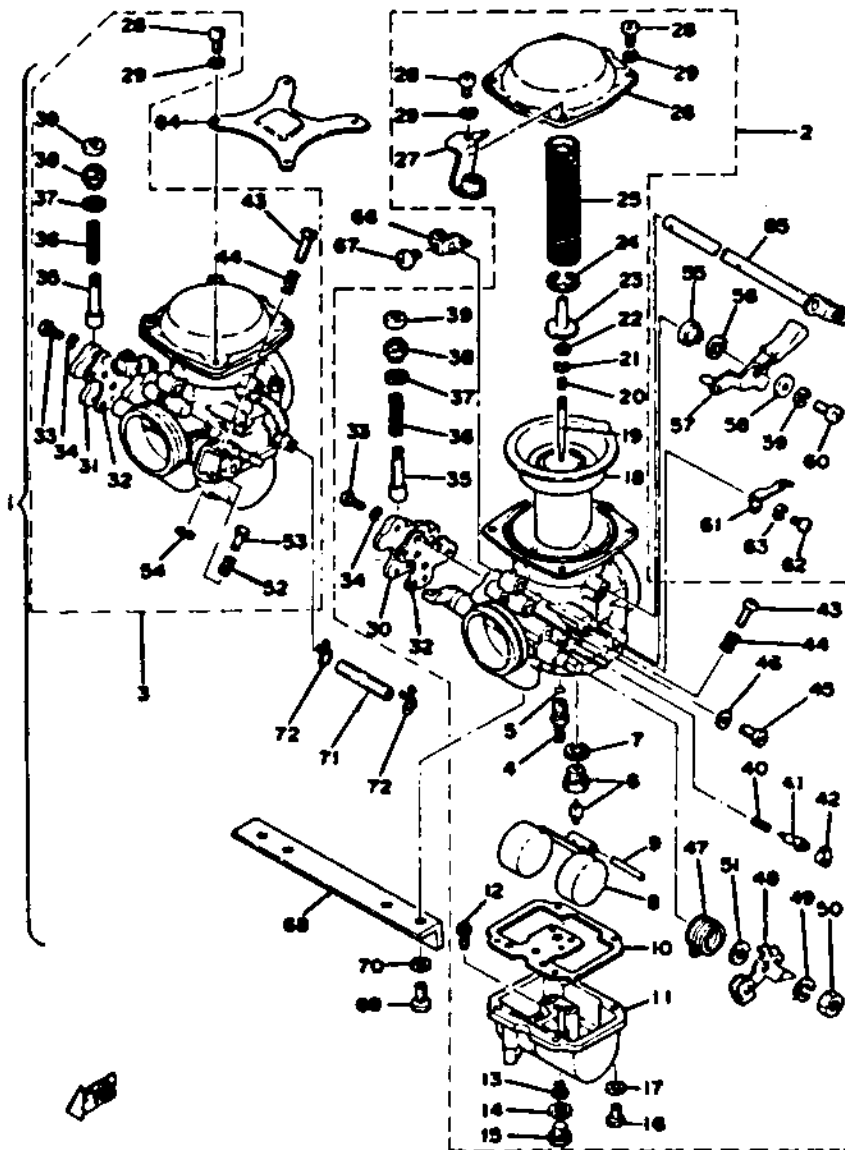


No.	Number	Description	QTY
1		CARBURETOR ASS'Y.....	1s
2	2F0-14901-00-00	. CARBURETOR ASS'Y, left ....	1
3	2F0-14902-00-00	. CARBURETOR ASS'Y, right ...	1
4	2F0-14941-82-00	.. NOZZLE, main (Z-2) .....	2
5	93210-03142-00	.. O-RING.....	2
6	168-14190-20-00	.. VALVE SEAT ASS'Y (#20)...	2
7	214-14195-00-00	.. WASHER, valve seat.....	2
8	256-14985-00-00	.. FLOAT.....	2
9	127-14185-00-00	.. PIN, float .....	2
10	256-1984-00-00	.. GASKET, float chamber .....	2
11	1J7-14981-09-00	.. BODY, float chamber .....	2
12	584-14142-27-00	.. JET, pilot (#27.5).....	2
13	256-14944-26-00	.. JET, main (#130) .....	2
	256-14944-27-00	.. JET, main (#135) .....	2
	256-14944-28-00	.. JET, main (#140) .....	2
14	256-14956-01-00	.. WASHER .....	2
15	1A0-14991-00-00	.. SCREW, plug.....	2
16	98501-04012-00	.. SCREW, pan head.....	8
17	92901-04100-00	.. WASHER, spring.....	8
18	2F0-14940-00-00	.. DIAPHRAGM ASS'Y.....	2
19	2F0-14116-02-00	.. NEEDLE (502-3) .....	2
20	2F0-14589-00-00	.. SPRING .....	2
21	256-14919-00-00	.. CLIP .....	2
22	2F0-14918-00-00	.. RING.....	2
23	2F3-14946-00-00	.. PLATE, needle fitting (2F0-14946-00) .....	2

# XS650E

CARBURETOR - mfr./type/I.D. number	Mikuni / B538 / 2F0 00
Main Jet/Pilot Jet	136 / 27.5
Needle Jet/Jet Needle-Clip Position	Z-2 / 502-3
Slide Cutaway or Throttle Valve	120
Float Level	24mm ± 1mm
Mixture Screw - turns out/idle rpm	2% / 1200 ± 50 rpm

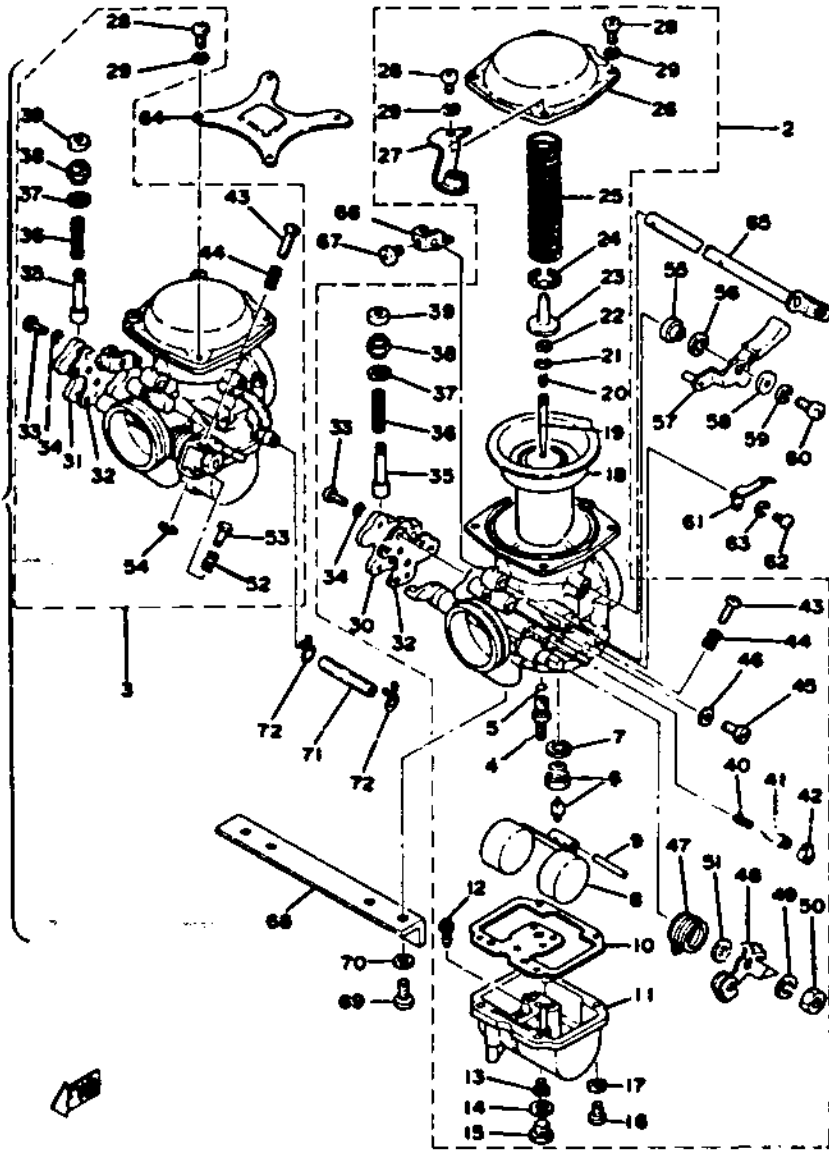
XS650



Ref. No.	Part Number	Description	DEI
24	2F0-14919-00-00	CLIP .....	2
25	21 J-14933-00-00	SPRING, diaphragm .....	2
26	256-14958-00-00	COVER, diaphragm .....	2
27	447-14926-00-00	THROTTLE BRACKET ASSY .....	1
28	98501-05016-00	SCREW, pan head .....	8
29	92903-05100-00	WASHER, spring .....	8
30	2F0-14907-00-00	BODY, starter left .....	1
31	1A8-14907-00-00	BODY, starter right .....	1
32	447-14979-00-00	GASKET, starter body .....	2
33	98501-04012-00	SCREW, pan head .....	6
34	92901-04100-00	WASHER, spring .....	6
35	584-14171-00-00	PLUNGER, starter .....	2

# XS650E

36	256-14135-00-00	SPRING, plunger .....	2
37	256-14954-00-00	WASHER .....	2
38	584-14176-00-00	CAP, plunger .....	2
39	306-14173-00-00	COVER, plunger cap .....	2
40	2F0-14134-00-00	SPRING, air adjusting .....	2
41	2F0-14923-00-00	SCREW, pilot .....	2
42	584-14969-00-00	CAP, pilot screw .....	2
43	256-14922-01-00	SCREW, throttle stop .....	2
44	256-14934-01-00	SPRING, throttle stop .....	2
45	341-14991-00-00	PLUG, screw .....	2
46	584-14956-00-00	WASHER, plug screw .....	2
47	584-14931-00-00	SPRING, throttle left .....	1
48	306-14964-00-00	LEVER, throttle left .....	1



Ref. No.	Part Number	Description	DE
49	92903-08100-00	.. WASHER, spring .....	2
50	95301-12000-00	.. NUT, hexagon .....	2
51	306-14970-00-00	.. COLLAR, spring .....	1
52	584-14934-00-00	.. SPRING, adjusting .....	1
53	584-14992-00-00	.. ROD, push .....	1
54	584-14937-00-00	.. CLIP, push rod .....	1
55	256-14918-00-00	.. RING .....	1
56	584-14955-00-00	.. WASHER, starter lever .....	1
57	306-14905-02-00	.. LEVER ASS'Y .....	1
58	256-14952-00-00	.. WASHER .....	1
59	92901-04100-00	.. WASHER, spring .....	1
60	98501-04012-00	.. SCREW, pan head .....	1

# XS650E

61	584-14938-00-00	.. SPRING, starter lever .....	1
62	98501-04005-00	.. SCREW, pan head .....	1
63	92901-04100-00	.. WASHER, spring .....	1
64	584-14243-00-00	.. PLATE, upper .....	1
65	2F0-14977-00-00	.. SHAFT, starter lever .....	1
66	2F0-14905-00-00	.. LEVER, starter 2 .....	2
67	584-14991-00-00	.. SCREW, starter lever 2 .....	2
68	584-14146-00-00	.. PLATE, lower .....	1
69	92503-06015-00	.. SCREW, pan head .....	4
70	92903-06100-00	.. WASHER, spring .....	4
71	306-14988-00-00	.. HOSE .....	1
72	341-14919-00-00	.. CLIP .....	2