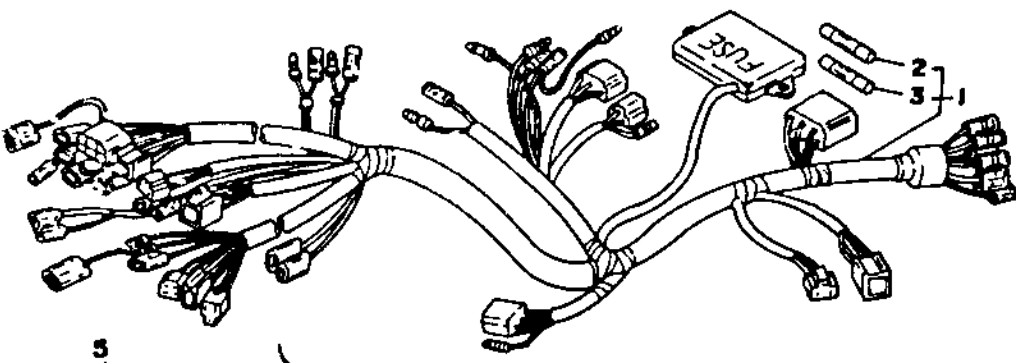
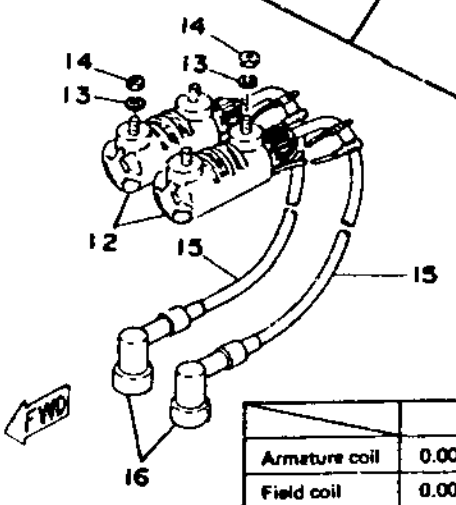
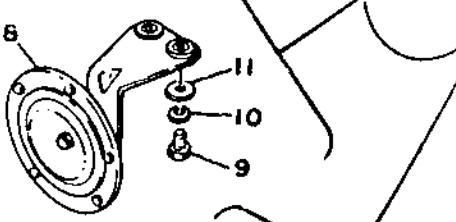
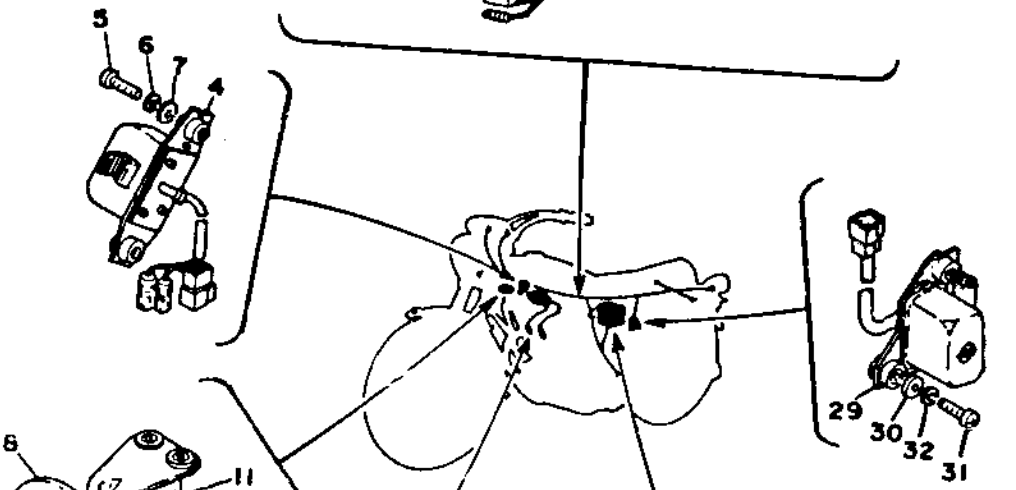


Ref. No.	Part Number	Description	Qty.	Applicable Machine No.	R. Bu.
1	2M0-82590-50-00	WIRE HARNESS ASSY	1		
2	1A0-82161-00-00	FUSE (12V-20A)	1		
3	1A0-82151-00-00	FUSE (12V-10A)	3		
4	447-81950-50-00	RELAY ASSY	1		
5	92501-06025-00	SCREW, pan head	2		
6	92903-06100-00	WASHER, spring.....	2		
7	90201-06052-00	WASHER, plate (136-22316-00)	2		
8	2M0-83371-51-00	HORN (2M0-83371-50).....	1		
9	97301-08025-00	BOLT, hexagon	2		
10	92903-08100-00	WASHER, spring.....	2		
11	90201-08107-00	WASHER, plate (137-24186-00)	2		
12	254-82310-60-00	IGNITION COIL ASS'Y	2		
13	92903-06100-00	WASHER, spring.....	4		
14	95301-06600-00	NUT, hexagon.....	4		
15	447-82341-00-00	CORD, high tension	2		
16	256-82370-00-00	PLUG CAP ASSY.....	2		
	512-82370-10-00	PLUG CAP ASSY.....	2		
17	447-82110-79-00	BATTERY ASSY (YB14L-A2) (447-82110-82)	1		for w/ 12
18	90445-08048-00	HOSE (341-82112-00).....	1		
19	90386-07043-00	COLLAR (7.6-9.5-20)	1		
20	447-82115-01-00	WIRE, plug lead	1		
21	447-82119-00-00	COVER, lead wire.....	1		
22	2M0-82129-00-00	COVER, battery.....	1		

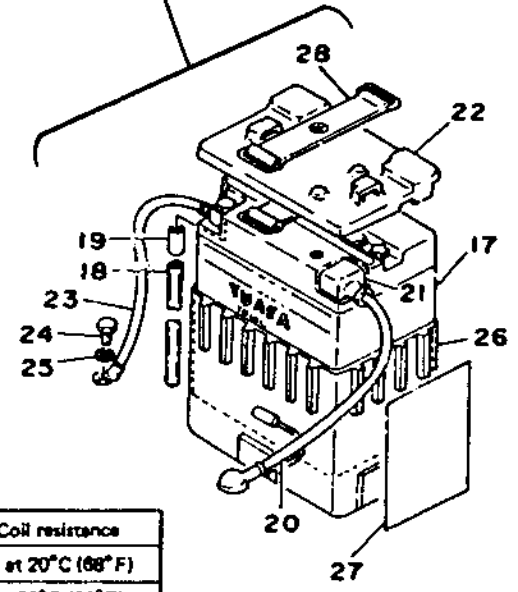
ELECTRICAL - Ignition System	
Charging System	Battery and Coil
Maximum Output	3 phase / AC Generator / Full wave
Field Coil Color Code/Ω	14V11A @ 2000 rpm
Charging Coil Color Code/Ω	Stator: 0.46 Ω ± 10% Rotor: 5.25 Ω ± 10%
Source Coil Color Code/Ω	φ
Lighting Coil Color Code/Ω	φ
Pulse Coil or Pickup Coil Color Code/Ω	φ
Ignition Coil test gap/Primary Ω / Secondary Ω	6mm / 3.9 Ω ± 10% / 8K Ω ± 20%
Battery—model/spec. grav./chg rate	Yuasa YB14L (12V14AH) / 1.280 / 1.4A
Point Gap/Condenser Capacitance	0.3~0.4mm / 0.22μ F ± 10%
Spark Plug Type	Champion N7Y or NGK BP7ES
Spark Plug Gap/Torque/Cap Ω	0.7~0.8mm / 2.0 m·kg / 10K Ω
Timing Static	15° mark



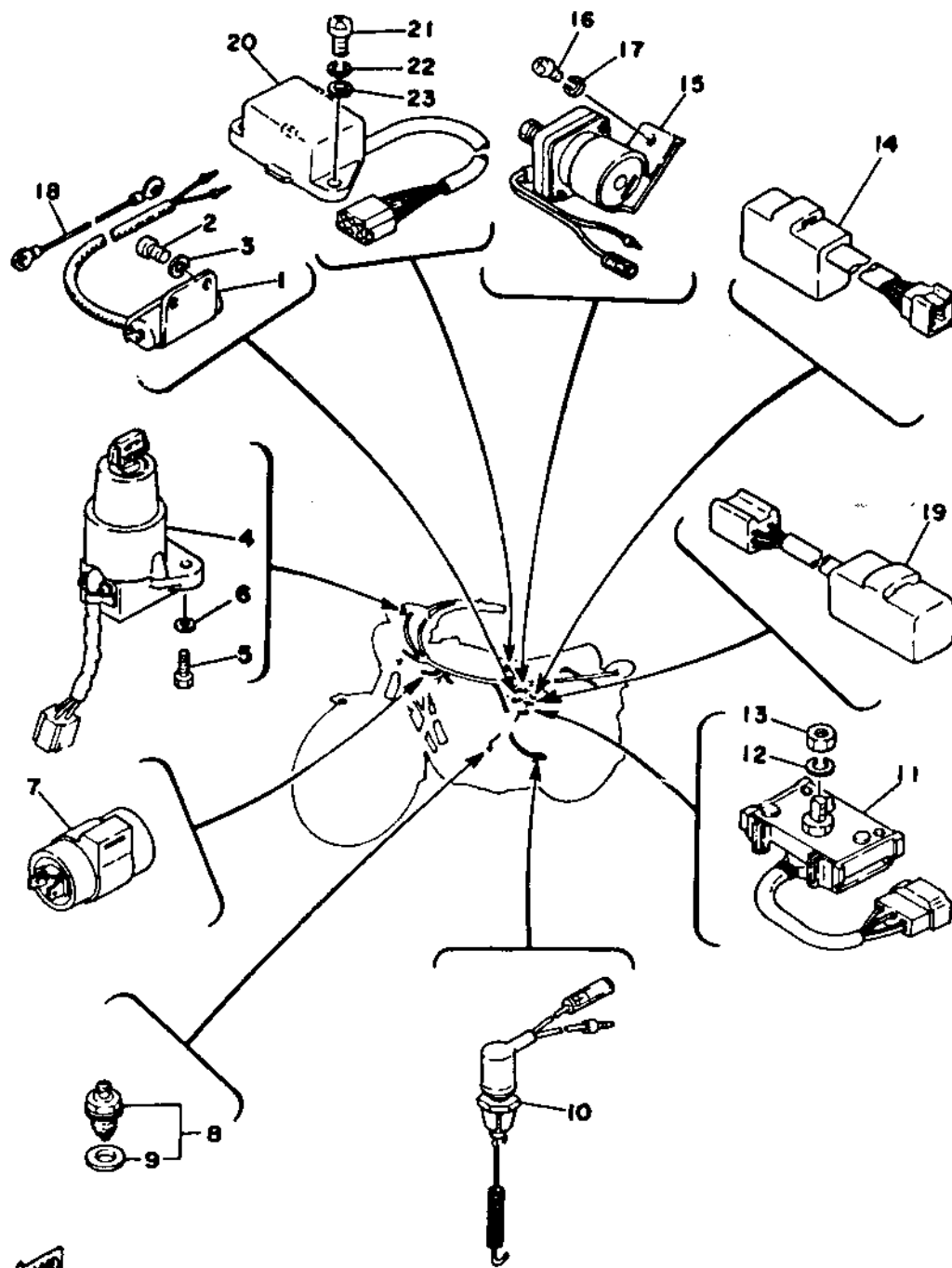
23	447-82116-00-00	WIRE, minus lead	1		
24	97301-06012-00	BOLT, hexagon	1		
25	92903-06100-00	WASHER, spring	1		
20	447-82122-00-00	SEAT, battery	1		
27	11B-82141-09-00	LABEL, battery	1		for
28	120-82131-00-00	BAND, battery	1		
29	447-81910-10-00	VOLTAGE REGULATOR ASS'Y ...	1		
30	90201-06052-00	WASHER, plate (136-22316-00)	2		
31	92501-06025-00	SCREW, pan head	2		
32	92903-06100-00	WASHER, spring	2		



	Coil resistance
Armature coil	0.0067Ω at 20°C (68°F)
Field coil	0.004Ω at 20°C (68°F)



ELECTRICAL - Ignition System		Battery and Coil
Charging System	3 phase / AC Generator / Full wave	
Maximum Output	14V11A @ 2000 rpm	
Field Coil Color Code/Ω	Stator: 0.48 Ω ± 10% Rotor: 5.25 Ω ± 10%	
Charging Coil Color Code/Ω	φ	
Source Coil Color Code/Ω	φ	
Lighting Coil Color Code/Ω	φ	
Pulse Coil or Pickup Coil Color Code/Ω	φ	
Ignition Coil test gap/Primary Ω / Secondary Ω	6mm / 3.9 Ω ± 10% / 8K Ω ± 20%	
Battery—model/spec. grav./chg. rate	Yuasa YB14L (12V14AH) / 1.280 / 1.4A	
Point Gap/Condenser Capacitance	0.3~0.4mm / 0.22μ F ± 10%	
Spark Plug Type	Champion N7Y or NGK BP7ES	
Spark Plug Gap/Torque/Cap Ω	0.7~0.8mm / 2.0 m·kg / 10K Ω	
Timing Static	15° mark	
Dynamic	(std) 15° @ approx. 1200 rpm (adv) 41.5° @ approx.	



FWD

Ref. No.	Part Number	Description	Qty.	Applicable Machine No.
1	256-81825-10-00	CONDENSER.....	1	
2	92501-06J08-00	SCREW, pan head.....	2	
3	92903-08100-00	WASHER, spring.....	2	
4	2G2-82508-50-00	MAIN SWITCH/STEERING LOCK ASSY.....	1	
5	97321-08016-00	BOLT, hexagon.....	2	
6	92903-08100-00	WASHER, spring.....	2	
7	2F0-83350-70-00	FLASHER RELAY ASSY.....	1	
8	136-82540-01-00	NEUTRAL SWITCH ASSY.....	1	
9	90430-11034-00	GASKET (136-82543-00).....	1	
10	1J7-82530-00-00	STOP SWITCH ASSY.....	1	
11	447-81970-10-00	RECTIFIER ASSY.....	1	
12	92903-08100-00	WASHER, spring.....	1	
13	95301-09700-00	NUT, hexagon.....	1	
14	2M0-84708-01-00	CHECKER, lamp (2M0-84708-00) ...	1	
15	447-81940-10-00	STARTER SWITCH ASSY.....	1	
16	92503-06015-00	SCREW, pan head.....	1	
17	92903-08100-00	WASHER, spring.....	1	
18	256-81615-00-00	WIRE, lead.....	1	
19	1A0-83395-03-00	FLASHER CANCELLING UNIT (1A0-83395-02).....	1	
20	1T3-84308-00-00	RESERVE LIGHTING UNIT ASSY....	1	
21	92503-06018-00	SCREW, pan head.....	2	
22	92903-08100-00	WASHER, spring.....	2	
23	92901-06600-00	WASHER, plate.....	2	

ELECTRICAL - Ignition System		Battery and Coil
Charging System	3 phase / AC Generator / Full wave	
Maximum Output	14V17A @ 2000 rpm	
Field Coil Color Code/ Ω	Stator: 0.46 Ω \pm 10% Rotor: 5.25 Ω	
Charging Coil Color Code/ Ω	ϕ	
Source Coil Color Code/ Ω	ϕ	
Lighting Coil Color Code/ Ω	ϕ	
Pulse Coil or Pickup Coil Color Code/ Ω	ϕ	
Ignition Coil test gap/Primary Ω / Secondary Ω	8mm / 3.9 Ω \pm 10% / 8K Ω \pm 20%	
Battery—mode/spec. grav./chg rate	Yusa YB14L (12V14AH) / 1.280 / 1.4	
Headlight/Tailight/Signal Rating	12V50-40W / 12V21-8W / 12V27W	
Point Gap/Condenser Capacitance	0.3~0.4mm / 0.22 μ F \pm 10%	
Spark Plug Type	Champion N7Y or NGK BP7ES	
Spark Plug Gap/Torque/Cap Ω	0.7~0.8mm / 2.0 m.kg / 10K Ω	