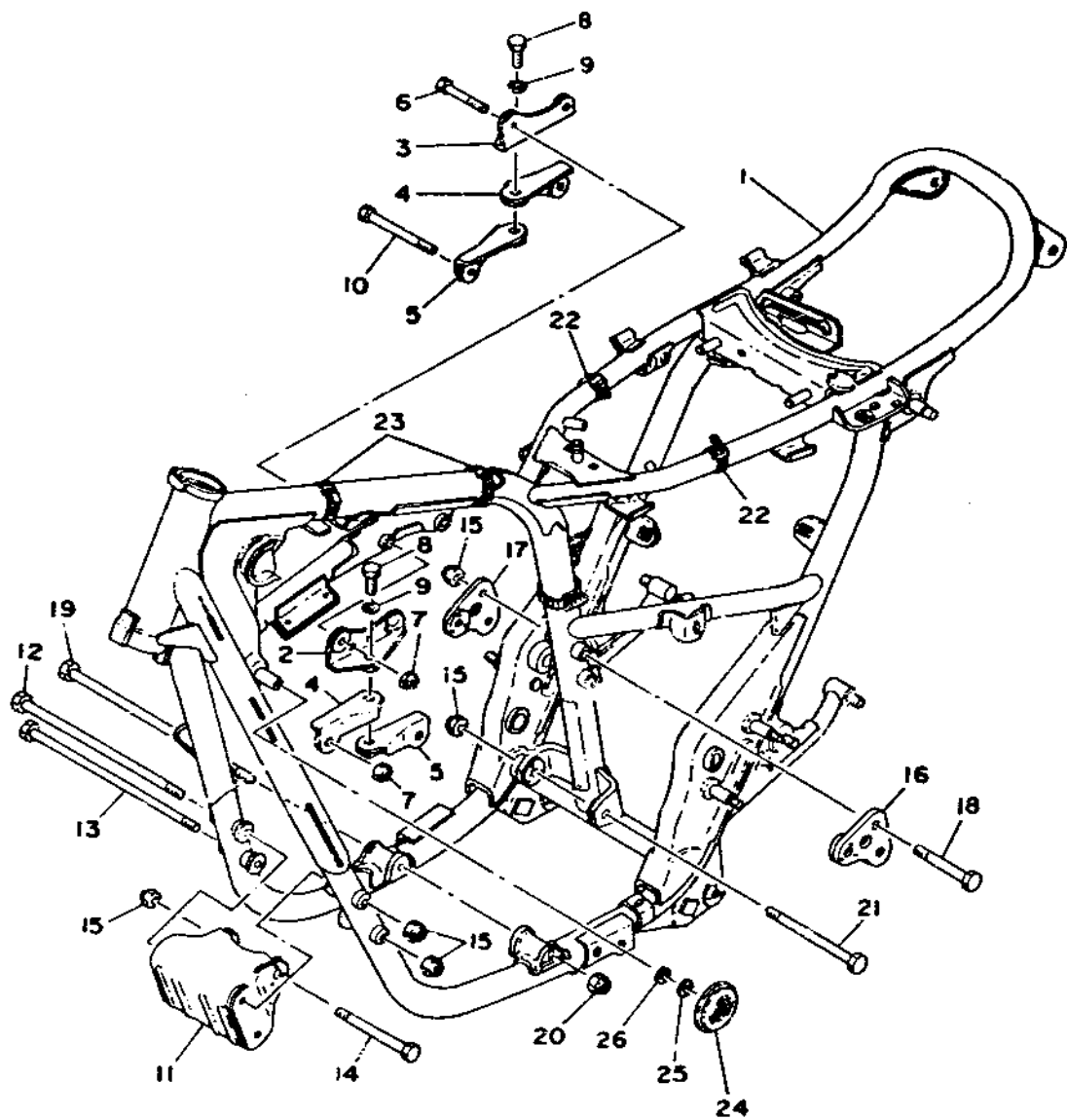


FRAME



Ref. No.	Part No.	Description	Qty.	Applicat Machine No.
1	2M0-21110-00-33	FRAME COMP.	1	
2	447-21314-00-00	STAY, engine 5 (left)	1	
3	447-21315-00-00	STAY, engine 1 (right)	1	
4	256-21317-01-00	STAY, engine 3	2	
5	256-21316-01-00	STAY, engine 2	2	
6	95821-08055-00	BOLT, flange	2	
7	90185-08054-00	NUT, self-locking	4	
8	95821-10025-00	BOLT, flange	2	
9	92903-10100-00	WASHER, spring	2	
10	95821-08090-00	BOLT, flange	2	
11	447-21318-00-93	STAY, engine 4	1	
12	90105-10043-00	BOLT, hexagon	1	
13	90105-10044-00	BOLT, hexagon	1	
14	90105-10039-00	BOLT, hexagon	1	
15	90185-10035-00	NUT, self-locking	7	
16	447-21319-00-00	STAY, engine 6 (left)	1	
17	447-21387-00-00	STAY, engine 7 (right)	1	
18	95821-18070-00	BOLT, flange	3	
19	90106-10029-00	BOLT, round hexagon	1	
20	90185-10060-00	NUT, self-locking	1	
21	90105-10041-00	BOLT, hexagon	1	
22	447-82591-00-00	BAND	2	
23	435-13474-00-00	BAND	2	
24	355-85111-00-00	REFLECTOR	2	
25	92903-05100-00	WASHER, spring	2	
26	92901-05200-00	WASHER, plain	2	

FWD