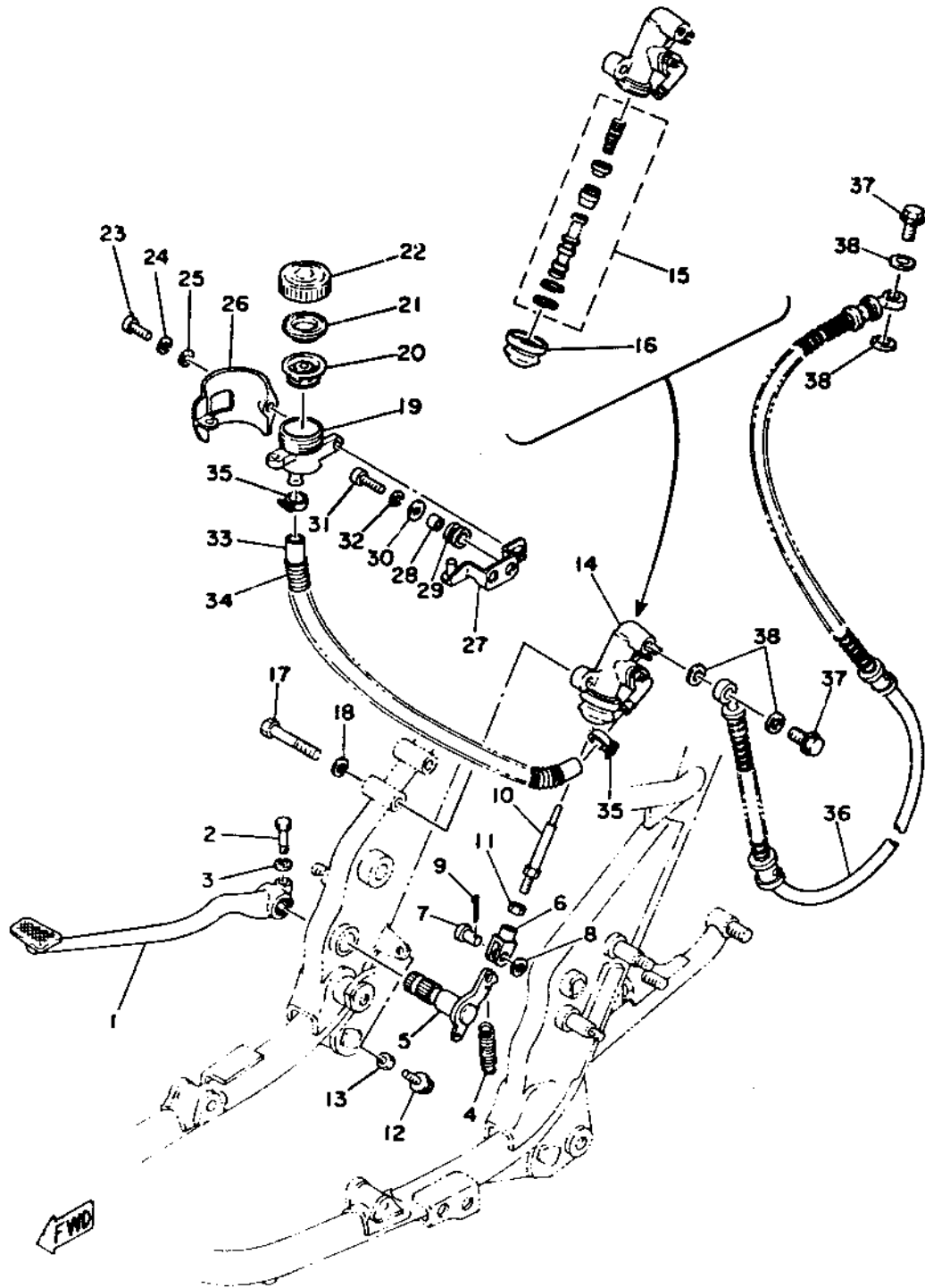
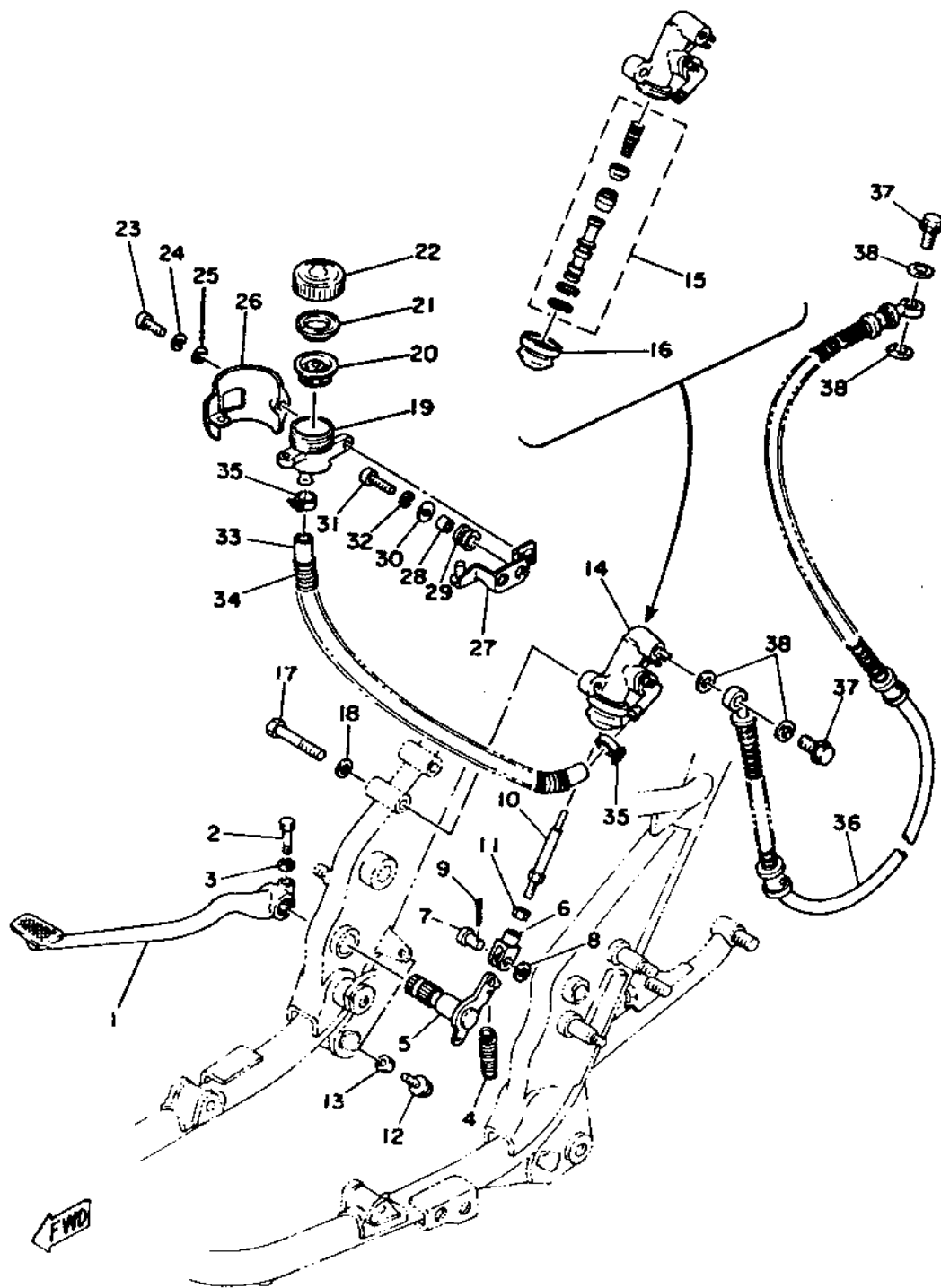


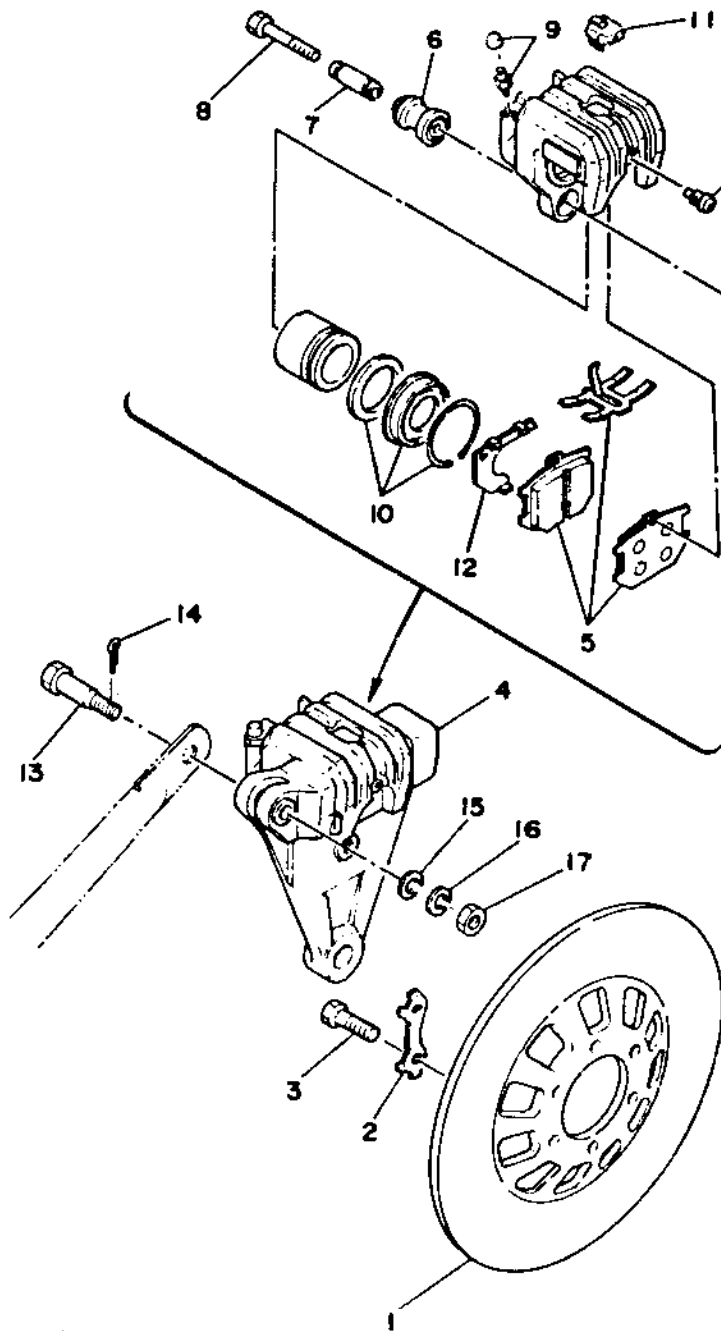
BRAKE PEDAL - REAR MASTER CYLINDER



Ref. No.	Part Number	Description	Qty.	Appl. Mach. No.
1	533-27211-01-93	PEDAL, brake (533-27211-00-93) . . .	1	
2	90109-06468-00	BOLT . . . . .	1	
3	92903-06100-00	WASHER, spring . . . . .	1	
4	90506-26178-00	SPRING, tension. . . . .	1	
5	2M0-27212-00-00	SHAFT, brake pedal. . . . .	1	
6	1A1-27222-01-00	JOINT . . . . .	1	
7	90240-08013-00	PIN (307-18118-00) . . . . .	1	
8	90201-08083-00	WASHER, plate (156-27226-00) . . . . .	1	
9	91401-16015-00	PIN, cotter. . . . .	1	
10	1J7-27231-00-00	ROD, brake . . . . .	1	
11	95301-08700-00	NUT, hexagon. . . . .	1	
12	90153-06008-00	SCREW (341-27217-00) . . . . .	1	
13	90170-06184-00	NUT, adjusting . . . . .	1	
14	2M0-25850-50-00	MASTER CYLINDER ASSY, rear. . . . .	1	
15	1J3-W0042-50-00	CYLINDER KIT, master (1J3-20000-50). . . . .	1	
16	1J3-25862-50-00	BOOT, master cylinder . . . . .	1	
17	97321-08055-00	BOLT, hexagon. . . . .	2	
18	92903-08100-00	WASHER, spring . . . . .	2	
19	1A1-25894-01-00	TANK, reservoir . . . . .	1	
20	360-25854-00-00	DIAPHRAGM, reservoir . . . . .	1	
21	360-25855-01-00	BUSHING, diaphragm . . . . .	1	
22	1A1-25852-00-00	CAP, reservoir. . . . .	1	
23	92503-06020-00	SCREW, pan head . . . . .	1	
24	92903-06100-00	WASHER, spring . . . . .	1	
25	92903-06200-00	WASHER, plain. . . . .	1	
26	2M0-25888-00-00	COVER, reservoir tank . . . . .	1	
27	2M0-21798-00-00	BRACKET, reservoir tank . . . . .	1	



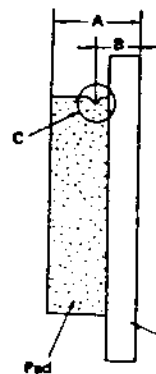
Ref. No.	Part Number	Description	Qty.	Applicat Machine No.
28	90387-07390-00	COLLAR.....	2	
29	90480-14102-00	GROMMET (214-21717-00).....	2	
30	90201-06067-00	WASHER, plate (90201-06380).....	2	
31	92501-06025-00	SCREW, pan head.....	2	
32	92903-06100-00	WASHER, spring.....	2	
33	2MO-25t.05-00-00	HOSE, reservoir (9-120L).....	1	
34	90501-10502-00	SPRING, compression.....	1	
35	90460-16068-00	CLAMP, hose.....	2	
36	2MO-25872-50-00	HOSE, brake 1.....	1	
37	90401-10034-00	BOLT, union.....	2	
38	90201-10118-00	WASHER, plate (306-25878-00).....	4	



Ref. No.	Part Number	Description	Qty.	Apply Machine No.
1	1J3-25831-50-00	DISC, brake rear	1	
2	1J3-25834-01-00	WASHER, lock	3	
3	90101-08312-00	BOLT, hexagon (90101-08307)	6	
4	2MO-25810-52-00	CALIPER ASS'Y, rear (2MO-25810-51)	1	
5	2MO-W0046-01-00	CALIPER PAD KIT (2MO-W0046-00)	1	
6	1J3-25917-00-00	BUSHING, boot	1	
7	1J3-25838-00-00	SLEEVE	1	
8	90105-08092-00	BOLT, support	1	
9	1J3-W0046-00-00	SCREW, bleed with cap (1J3-20000-30)	1	
10	1J3-20000-20-00	CALIPER SEAL KIT	1	
	1J3-W0047-00-00	CALIPER SEAL KIT(1J3-20000-20)	1	
11	1J3-25845-01-00	CAP, indicator	1	
12	1J3-25827-00-00	SHIM	1	
13	90109-08499-00	BOLT	1	
14	91401-20020-00	PIN, cotter	1	
15	929C1-08600-00	WASHER, plate	1	
16	92903-08100-00	WASHER, spring	1	
17	90170-08158-00	NUT, hexagon	1	

**Brake inspection and repair**

**Wear limit:**  
6.0 mm (0.24 in)



- A: Pad thickness  
11.0 mm (0.43 in)
- B: Wear limit  
6.0 mm (0.24 in)
- C: Wear indicator

