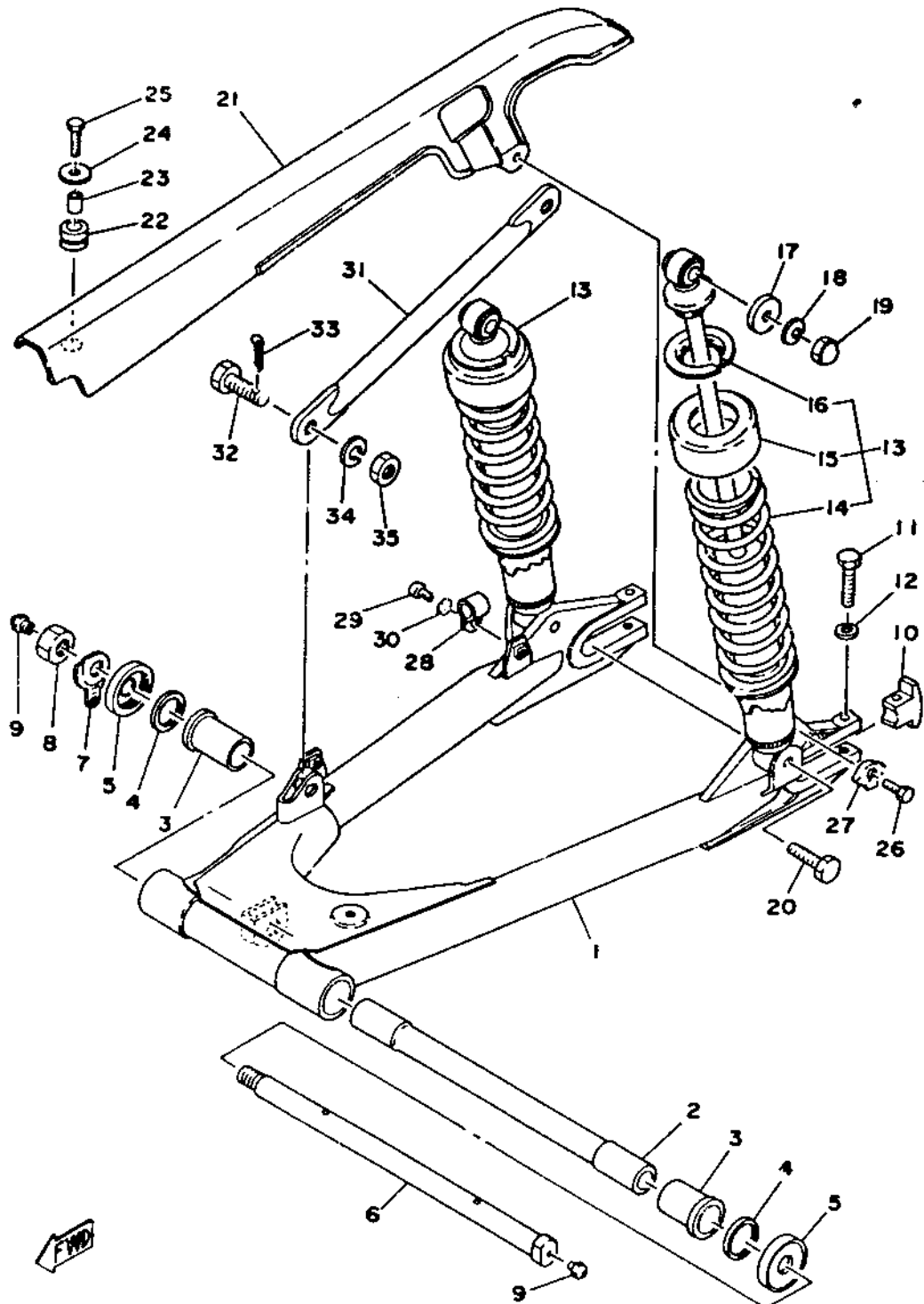


Ref. No.	Part No.	Description	Qty.
1	2M0-22110-00-33	REAR ARM COMP.	1
2	447-22184-00-00	BUSHING	1
3	90386-22029-00	BUSHING (256-22123-01)	2
4	240-22127-00-00	SHIM, rear arm (26-34-0.3)	U.N
5	447-22128-00-00	COVER, thrust	2
6	447-22141-00-00	SHAFT, pivot	1
7	90215-14055-00	WASHER, lock (447-22149-00)	1
8	90170-14174-00	NUT, hexagon	1
9	93700-06004-00	NIPPLE, grease	2
10	341-22177-00-00	END, rear arm	2
11	97301-08040-00	BOLT, hexagon	2
12	92903-08100-00	WASHER, spring	2
13	2M0-22210-00-00	REAR CUSHION ASS'Y	2
14	2M0-22212-00-00	SPRING, rear cushion	2
15	447-22211-21-00	COVER, outer	2
16	341-22213-20-00	GUIDE, spring	2
17	90201-10142-00	WASHER, plate (341-22243-00)	2
18	92903-10100-00	WASHER, spring	2
19	90176-10009-00	NUT, cap	2
20	90106-10025-00	BOLT, round (214-22241-00)	2
21	2M0-22311-00-93	CHAIN CASE	1
22	90480-14102-00	GROMMET (214-21717-00)	1
23	90387-07390-00	COLLAR (7-10-11.5)	1
24	90201-06066-00	WASHER, plate (101-28323-00)	1
25	97301-06025-00	BOLT, hexagon	1
26	97303-06020-00	BOLT, hexagon	1
27	90215-06117-00	WASHER	1
28	90461-10034-00	CLAMP	2

FWD

REAR ARM REAR CUSHION



Ref. No.	Part Number	Description	Qty.	Appr. Mech. No.
29	92503-06012-00	SCREW, pan head	2	
30	92903-06100-00	WASHER, spring	2	
31	2M0-25371-00-00	BAR, tension	1	
32	90109-08499-00	BOLT (90102-12033)	1	
33	91401-20020-00	PIN, cotter	1	
34	92901-12600-00	WASHER, spring	1	
35	95311-12700-00	NUT	1	