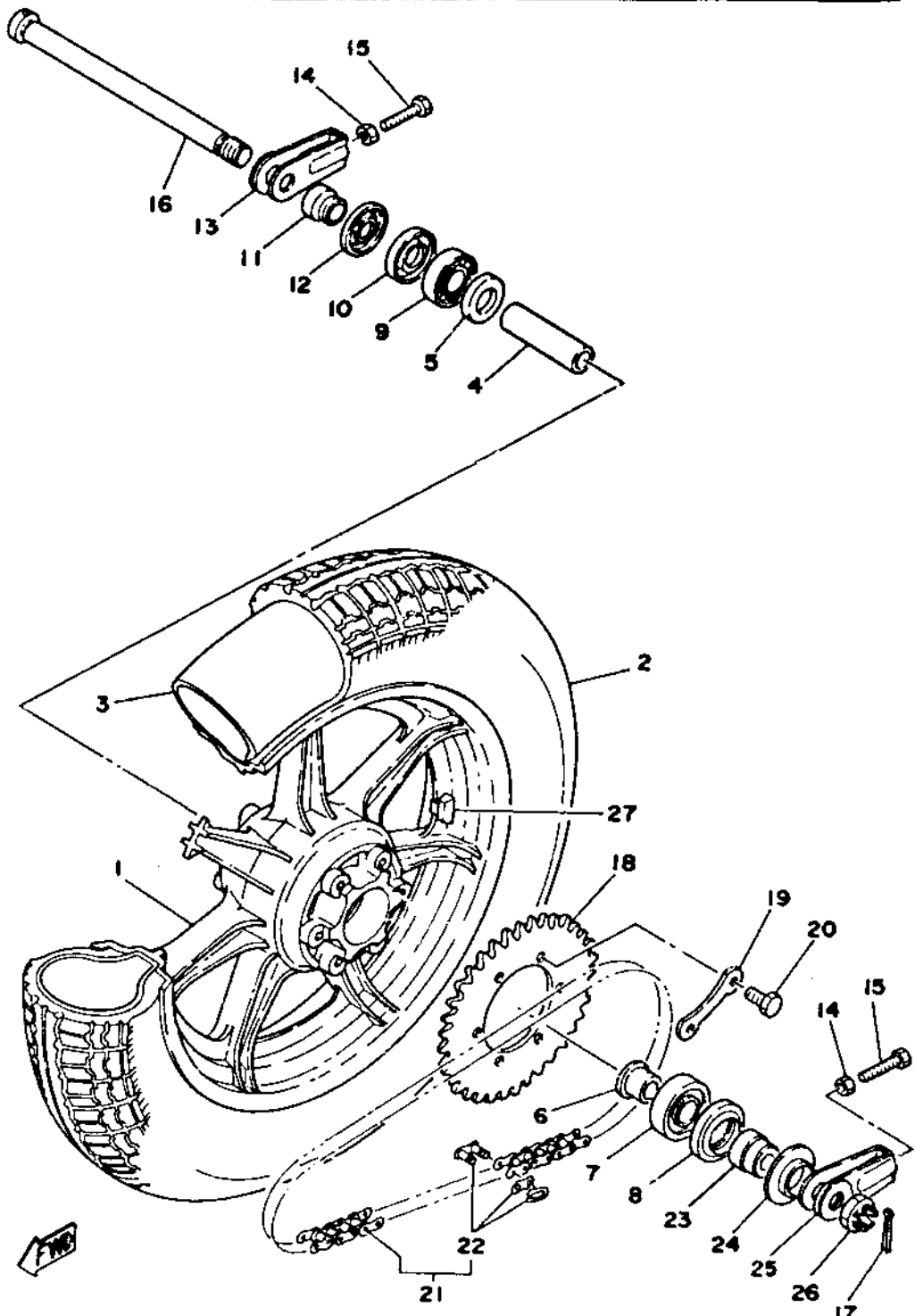


REAR WHEEL

Tires size (nominal pressure)

F:3.50S19 (1.6kg-cm²/22psi) R:130/90S16 (2.0kg-cm²/28psi)



Ref. No.	Part No.	Description	Qty.	Applica Machine No.
1	2M0-25338-20-00	CASTING WHEEL, rear (3.00-19) ...	1	
2	94113-16388-0*	TIRE, rear (130/90 S16-4PR)	1	
3	94213-16134-00	TUBE, rear (130/90-18)	1	
4	2M0-25317-00-00	SPACER, bearing	1	
5	2H7-26315-00-00	FLANGE, spacer	1	
6	90387-20166-00	COLLAR (256-25376-00)	1	
7	93308-30607-00	BEARING	1	
8	93102-35085-00	OIL SEAL	1	
9	93308-30417-00	BEARING (B6306Z)	1	
10	93104-27026-00	OIL SEAL (SO-27-52-5)	1	
11	2M0-25377-00-00	COLLAR, shaft	1	
12	1J7-25367-00-00	COVER, dust	1	
13	341-25388-01-00	PULLER, chain right	1	
14	95301-08700-00	NUT	2	
15	90101-08404-00	BOLT	2	
16	341-25381-00-00	SHAFT, wheel	1	
17	91401-40035-00	PIN, cotter	1	
18	2M0-25434-20-00	GEAR, sprocket wheel (34T)	1	
19	256-25412-00-00	WASHER, lock	3	
20	90101-10405-00	BOLT, hexagon	6	
21	94580-05104-00	CHAIN (50HDS-104L)	1	
22	94680-05011-00	JOINT, chain (50HDS)	1	
23	90387-20176-00	COLLAR (256-25377-00)	1	
24	256-25387-00-00	COVER, hub dust	1	
25	341-25389-00-00	PULLER, chain left	1	
26	90171-18008-00	NUT, castle (256-25382-00)	1	
27	1A1-25392-01-00	BALANCER, wheel	} U.N	
	1A1-25399-00-00	BALANCER, wheel		