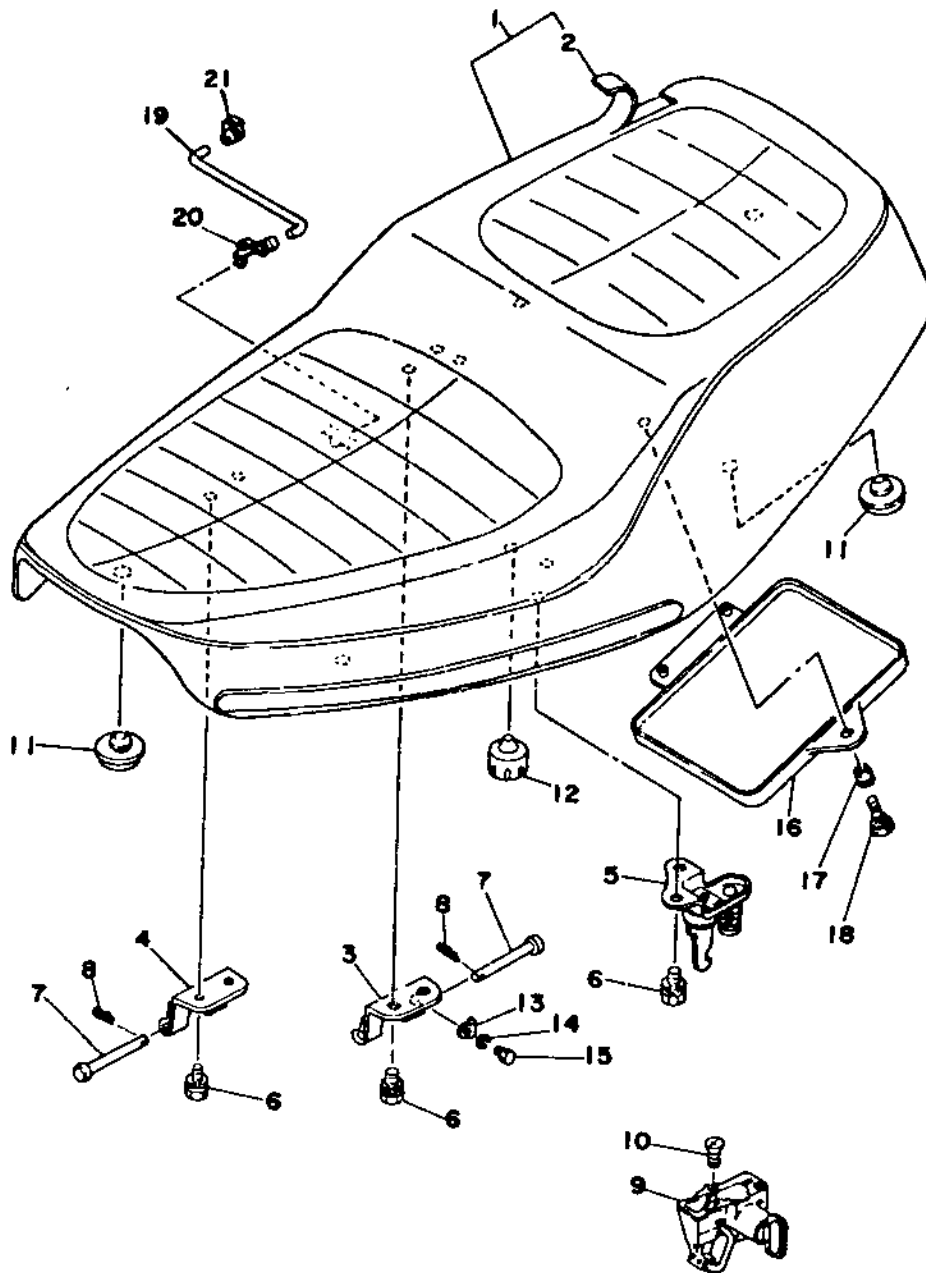


SEAT



Ref. No.	Part Number	Description	Qty.	Appl. Mach. No.
1	2MO-24730-91-00	DOUBLE SEAT ASS'Y.....	1	
2	2MO-24731-00-00	. COVER, double seat	1	
3	389-24728-00-33	HINGE, seat.....	1	
4	371-24728-01-00	HINGE, seat.....	1	
5	2MO-24728-00-00	BRACKET, seat.....	1	
	2MO-24728-01-00	BRACKET, seat (2MO-24728-00)....	1	
6	90101-06304-00	BOLT, hexagon.....	6	
7	91701-06055-00	PIN, clevis.....	2	
8	90488-10050-00	CLIP (156-83525-00).....	2	
9	584-24705-00-00	SEAT LOCK ASS'Y	1	
10	92708-06012-00	SCREW, flat head.....	2	
11	1L9-24741-00-00	PAD, seat.....	4	
12	278-27114-00-00	STOPPER.....	1	
13	389-24756-00-00	STOPPER.....	1	
14	92903-06100-00	WASHER, spring.....	1	
15	97301-C6010-00	BOLT, hexagon.....	1	
16	341-28185-00-00	LID.....	1	
17	90480-06007-00	GROMMET (341-28187-00).....	1	
18	341-28188-00-00	PLUNGER	1	
19	2MO-24768-00-00	STOPPER, seat.....	1	
20	1J7-24718-00-00	HOLDER, rod 1.....	1	
21	1J7-24719-00-00	HOLDER, rod 2.....	1	

END