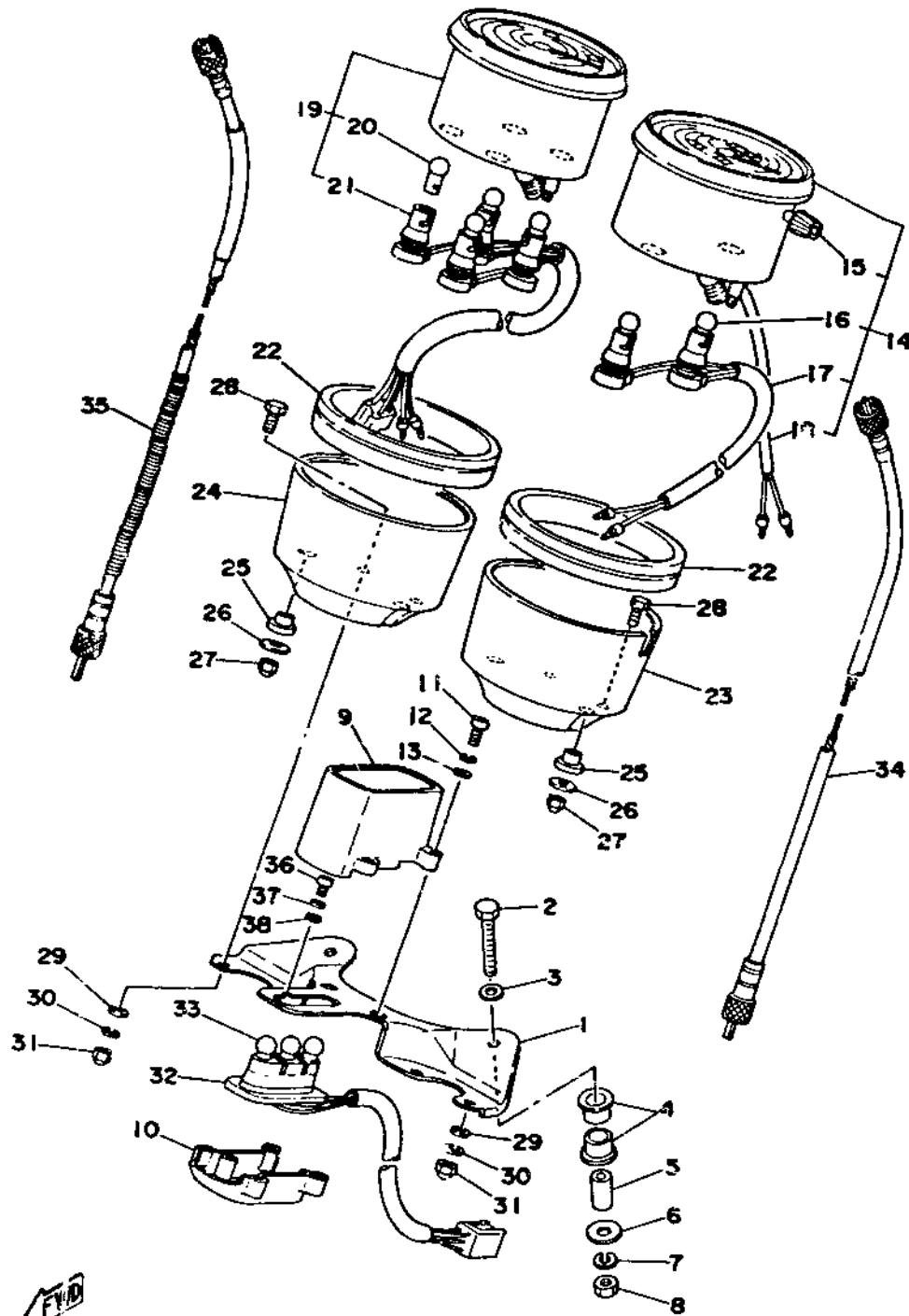


Ref. No.	Part Number	Description	Qty.	Applicable Machine No.
1	2M0-83519-00-00	BRACKET, meter.....	1	
2	97306-06040-00	BOLT, hexagon.....	2	
3	92906-06600-00	WASHER, plate.....	2	
4	584-83541-00-00	DAMPER, meter.....	4	
5	90387-06249-00	COLLAR (6.5-10.5-26).....	2	
6	90201-06067-00	WASHER, plate (90201-06380).....	2	
7	92903-06100-00	WASHER, spring.....	2	
8	95301-05800-00	NUT, hexagon.....	2	
9	2M0-83568-00-00	PILOT BOX, upper.....	1	
10	2G2-83569-A0-00	PILOT BOX, undsr.....	1	
11	98506-04012-00	SCREW, pan head.....	4	
12	92906-04100-00	WASHER, spring.....	4	
13	92906-04600-00	WASHER, plate.....	4	
14	2J2-83570-A0-00	SPEEDOMETER ASSY.....	1	
	2K1-83570-E0-00	SPEEDOMETER ASSY.....	1	
15	584-83578-71-00	. KNOB, trip meter.....	1	
16	123-83516-21-00	. BULB (12V-3.4W).....	2	
17	584-83536-01-00	. SOCKET CORD ASSY 1.....	1	
18	1J3-83556-01-00	. SOCKET CORD ASSY 4.....	1	
19	2M0-83540-A0-00	TACHOMETER ASSY.....	1	
20	123-83516-21-00	. BULB (12V-3.4W).....	4	
21	2G2-83520-00-00	. SOCKET CORD ASSY 3.....	1	
22	584-83513-01-00	DAMPER, meter (584-83513-00).....	2	
	3H3-83513-00-00	DAMPER, meter (584-83513-01).....	2	
23	2J2-83507-00-00	COVER, speedometer.....	1	
24	2J2-83508-00-00	COVER, tachometer.....	1	
25	584-83523-00-00	DAMPER.....	4	
26	90201-05031-00	WASHER, plate (256-82517-00).....	4	
27	95301-05800-00	NUT, crown.....	4	

M
fr
K
fr





Ref. No.	Part Number	Description	Qty.	Applicable Machine No.
28	584-83546-00-00	BOLT	4	
29	92903-06200-00	WASHER, plain.....	4	
30	92903-06100-00	WASHER, spring.....	4	
31	95301-0680 00	NUT, crown.....	4	
32	2G2-83509-A0-00	SOCKET CORD ASS'Y 2	1	
33	123-83516-21-00	BULB (12V-3.4W).....	3	
34	341-83550-01-00	SPEEDOMETER CABLE ASS'Y (341-83550-00)	1	
35	447-83560-01-00	TACHOMETER CABLE ASS'Y	1	
36	92503-04008-00	SCREW, pan head	1	
37	92901-04100-00	WASHER, spring.....	1	
38	92901-04600-00	WASHER, plate.....	1	