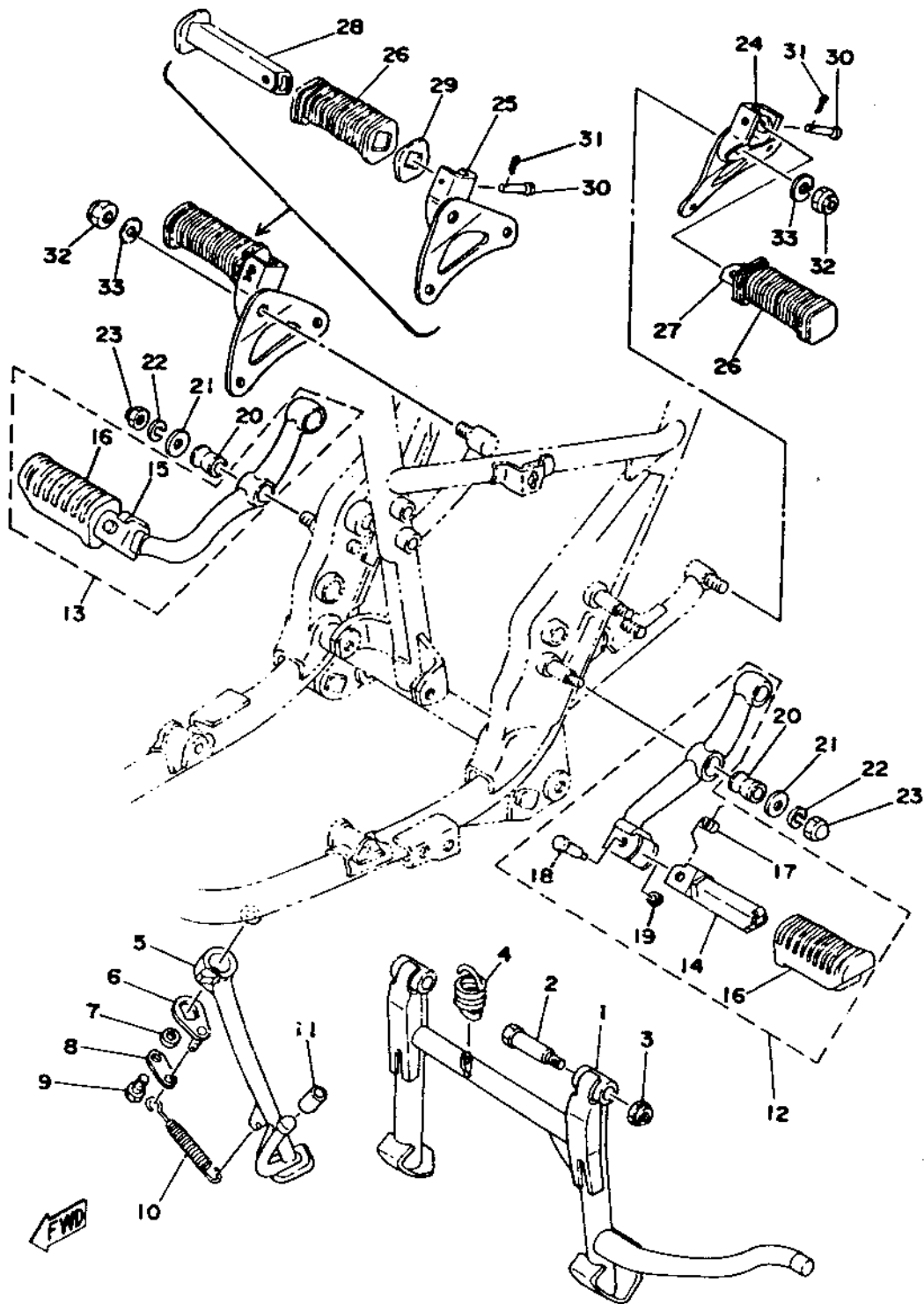
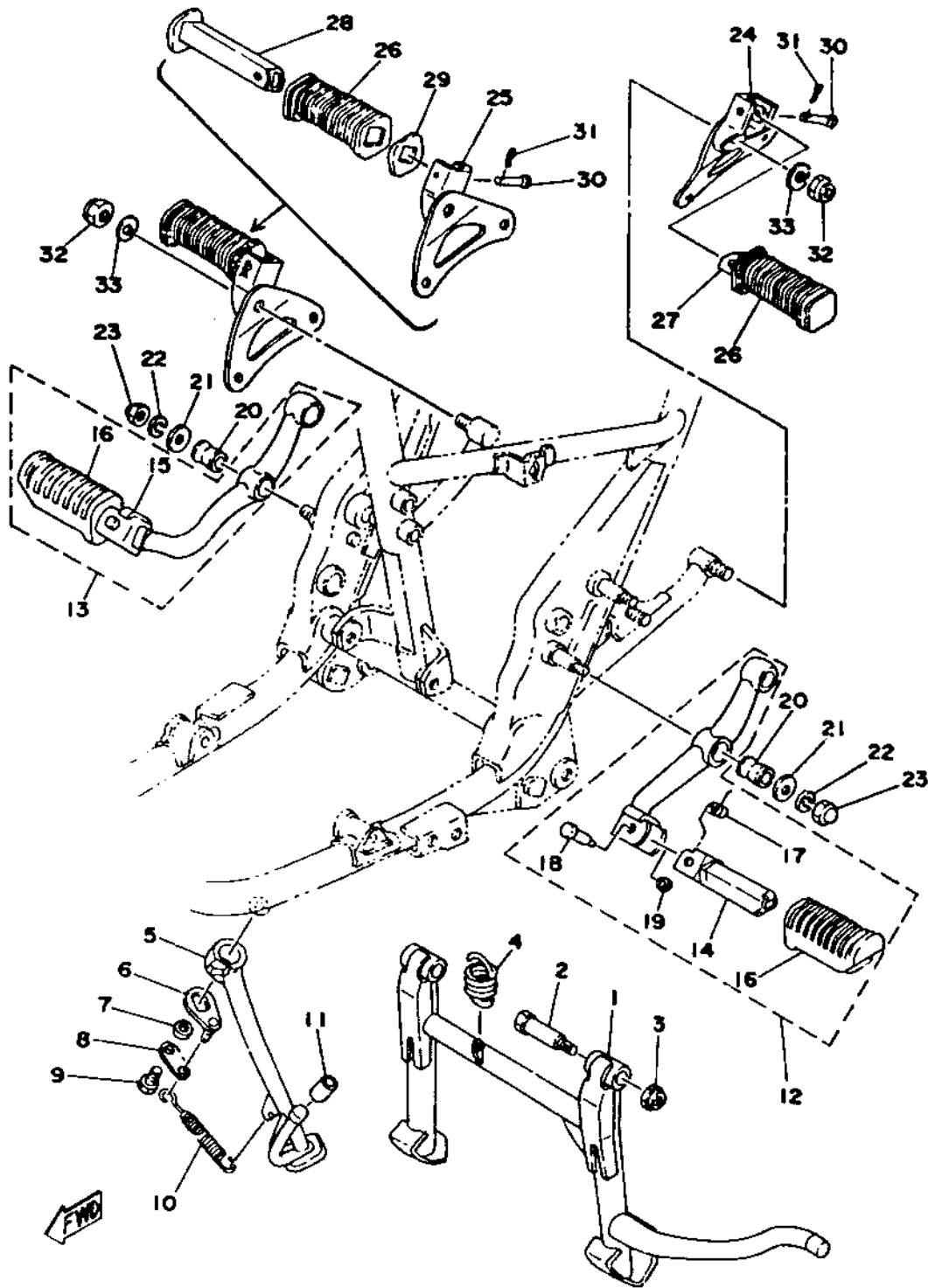


STAND FOOTREST



Ref. No.	Part No.	Description	Qty.	App. Mac. No.
1	1T3-27111-01-00	STAND, main	1	
2	90109-10268-00	BOLT, main stand (447-27112-00)	2	
3	90185-10035-00	NUT, U	2	
4	90506-50064-00	SPRING, tension (256-27116-00)	1	
5	1T3-27311-00-00	STAND, side	1	
6	1T3-27315-00-00	LINK, side stand	1	
7	90201-08114-00	WASHER, plate (156-24186-00)	1	
8	1T3-27322-00-00	WASHER, lock	1	
9	97301-08020-00	BOLT, hexagon	1	
10	90507-29009-00	SPRING, tension	1	
11	278-27314-00-00	STOPPER, side stand	1	
12	1T3-27410-00-93	FOOTREST ASS'Y, left	1	
13	1T3-27420-00-93	FOOTREST ASS'Y, right	1	
14	1T3-27451-00-00	FOOTREST, left	1	
15	1T3-27461-00-00	FOOTREST, right	1	
16	1J7-27413-01-00	COVER, footrest	2	
17	90508-20023-00	SPRING, torsion (214-27426-00)	2	
18	90243-08006-00	PIN (214-27418-00)	2	
19	90201-06042-00	WASHER, plate (214-27417-00)	2	
20	256-27414-00-00	DAMPER, rubber 1	4	
21	90201-10437-00	WASHER, plate	4	
22	92903-10100-00	WASHER, spring	4	
23	90176-10013-00	NUT, cap	4	
24	2M0-27432-00-00	BRACKET, rear footrest left	1	
25	2M0-27442-00-00	BRACKET, rear footrest right	1	



Ref. No.	Part No.	Description	Qty.	Applicable Machine No.
26	447-27433-00-00	COVER, rear footrest	2	
27	447-27431-00-00	FOOTREST, rear left	1	
28	447-27441-00-00	FOOTREST, rear right	1	
29	90209-18070-00	WASHER, plate (447-27437-00)	2	
30	91501-06035-00	PIN, clevis	2	
31	91401-16015-00	PIN, cotter	2	
32	95304-12800-00	NUT, flange	2	
33	92901-12100-00	WASHER, spring	2	