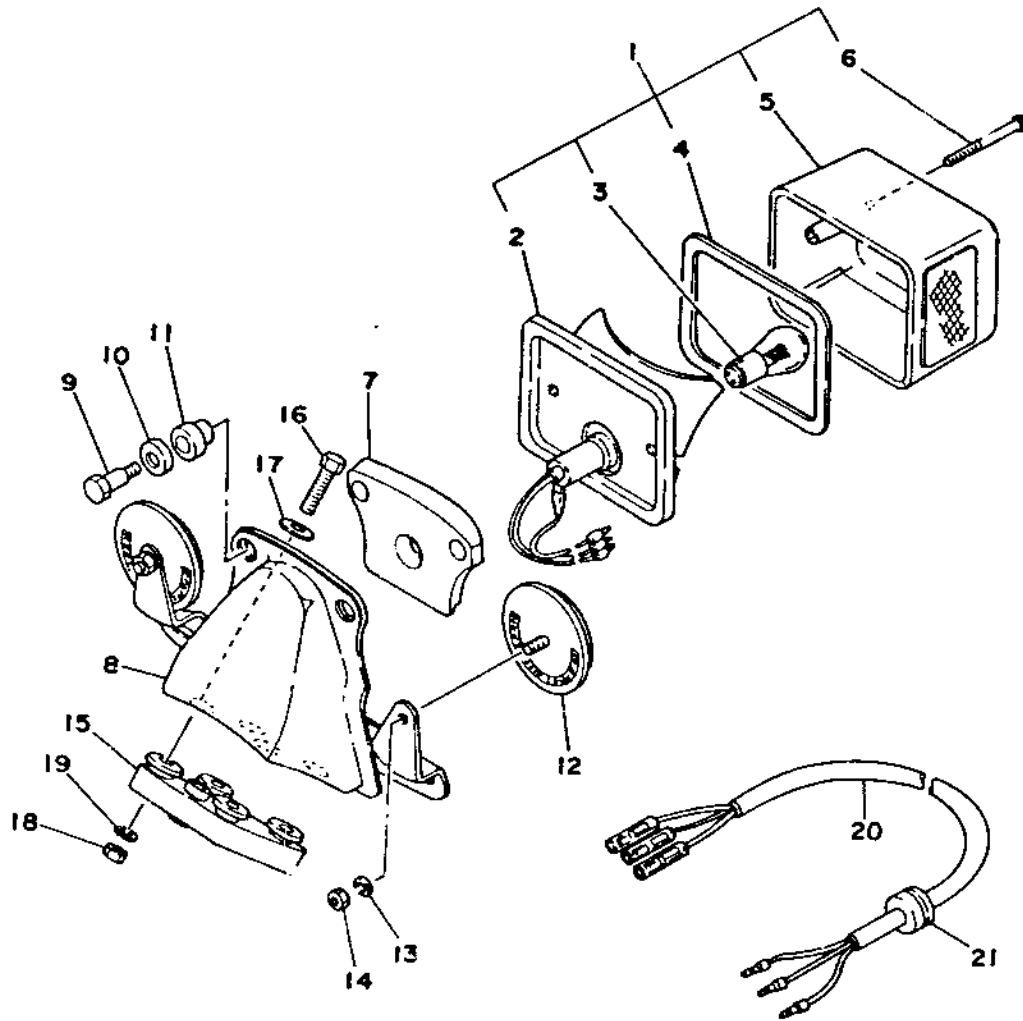


Headlight/Taillight/Signal Rating	12V50-40W / 12V27-8W / 12V27W
-----------------------------------	-------------------------------



FWO

Ref. No.	Part No.	Description	Qty.	Applic. Machine No.
1	2J2-84710-60-00	TAIL LAMP UNIT ASS'Y	1	
2	2J2-84711-60-00	. BASE, tail lamp	1	
3	256-84714-61-00	. BULB, tail lamp (12V-27/8W)	1	
4	1M1-84523-60-00	. GASKET, tail lamp	1	
5	1M1-84521-60-00	. LENS, tail lamp	1	
6	1M1-84524-60-00	. SCREW, lens fitting	2	
7	1M1-84512-60-00	SEAT, base	1	
8	2J2-84751-00-93	BRACKET, license	1	
9	1M1-84526-60-00	SCREW	2	
10	2H7-84754-00-00	WASHER, special (437-84525-60)	2	
11	1M1-84527-60-00	DAMPER	2	
12	449-85131-01-00	REFLECTOR	2	
13	92903-05100-00	WASHER, spring	2	
14	95303-05600-00	NUT, hexagon	2	
	95301-05600-00	NUT, hexagon (95303-05600)	2	
15	2M0-84753-00-00	DAMPER, tail lamp	1	
15	90109-06022-00	BOLT, hexagon (338-84552-00)	4	
17	92903-08200-00	WASHER, plate (90201-06067)	4	
18	95301-06600-00	NUT, hexagon	4	
19	92903-06100-00	WASHER, spring	4	
20	438-84517-00-00	CORD, tail lamp	1	
21	90480-15061-00	GROMMET	2	