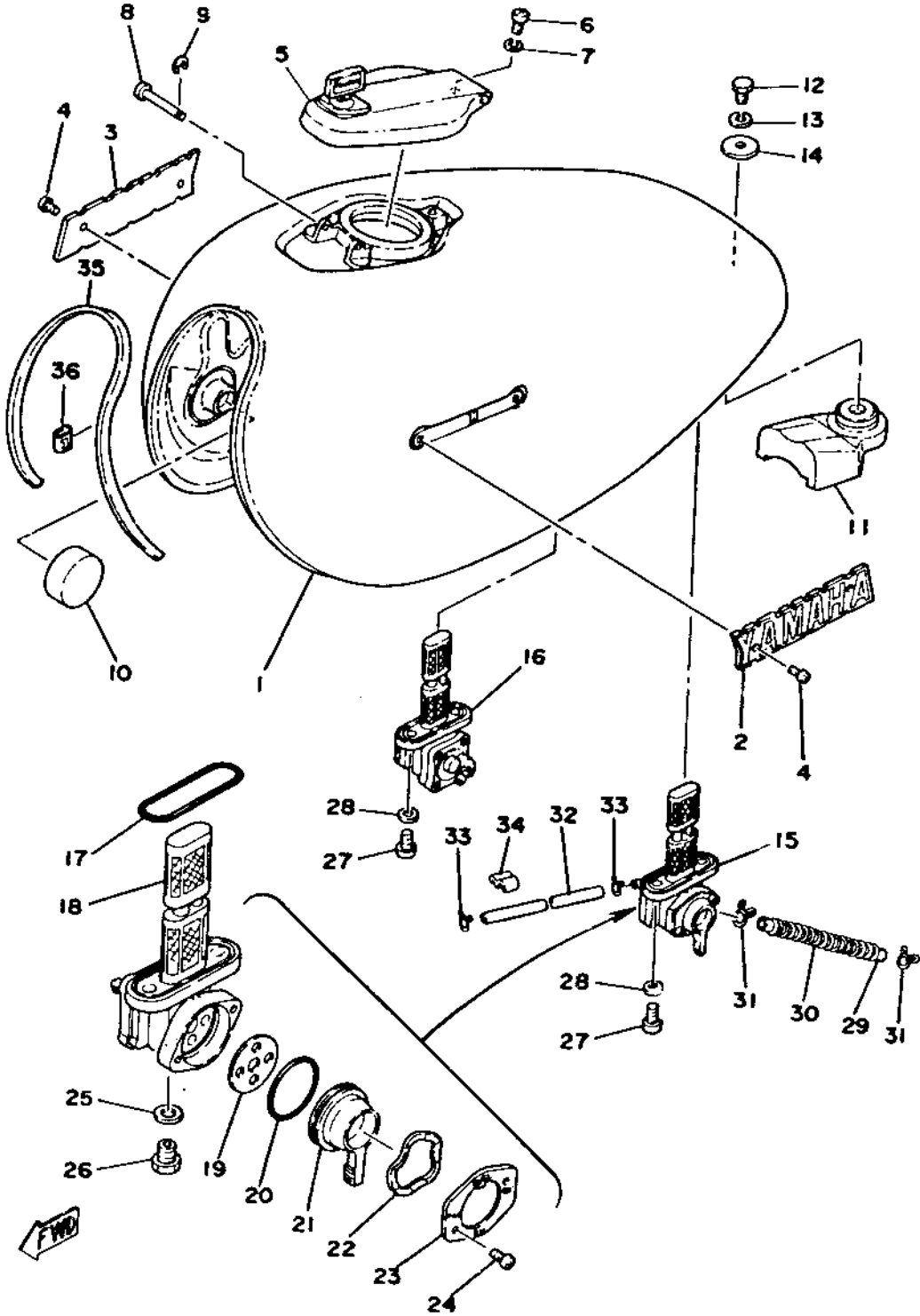
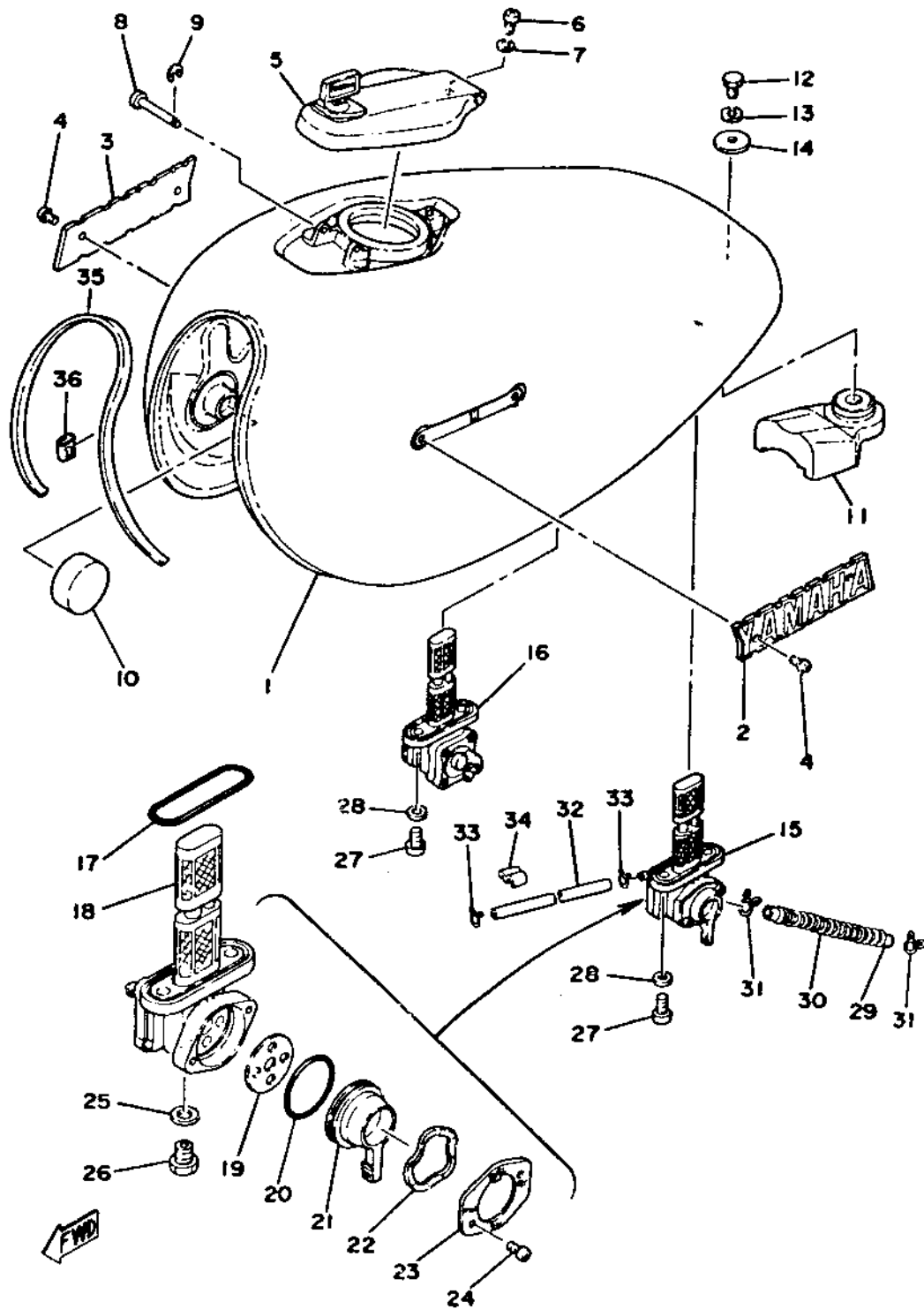


FUEL TANK



Ref. No.	Part Number	Description	Qty.	Applicat. Machine No.
1	2M0-24110-00-H7	FUEL TANK COMP.	1	
	2M0-24110-00-J9	FUEL TANK COMP.	1	
2	2M0-24181-00-00	EMBLEM, fuel tank left	1	
3	2M0-24182-00-00	EMBLEM, fuel tank right	1	
4	90152-04008-00	SCREW	4	
5	2M0-24602-00-00	TANK CAP ASS'Y	1	
6	98501-06010-00	SCREW, pan head (98503-05008)...	1	
7	92903-05100-00	WASHER, spring.....	1	
8	90249-03123-00	PIN.....	1	
9	93430-02001-00	CIRCLIP (E-1.9).....	1	
10	156-24181-00-00	DAMPER, locating 1.....	2	
11	256-24181-01-00	DAMPER, locating 1.....	1	
12	97321-06018-00	BOLT, hexagon	1	
13	92903-06100-00	WASHER, spring.....	1	
14	90201-06075-00	WASHER, plate (8G8-24186-00)	1	
15	2M0-24500-02-00	FUEL COCK ASS'Y left (2M0-24500-01)	1	
16	2M0-24510-02-00	FUEL COCK ASS'Y, right (2M0-24510-01)	1	
17	2G2-24512-00-00	GASKET, fuel cock	2	
18	2G2-24514-00-00	FILTER, fuel cock	2	
19	2G2-24523-00-00	GASKET, fuel cock	2	
20	2G2-24534-00-00	O-RING.....	2	
21	2G2-24524-00-00	LEVER, fuel cock left.....	1	
	2G2-24524-10-00	LEVER, fuel cock right	1	
22	2G2-24518-00-00	WASHER, wave.....	2	
23	2G2-24525-00-00	PLATE, lever fitting left.....	1	
	2G2-24525-10-00	PLATE, lever fitting right	1	
24	98501-03008-00	SCREW, pan head.....	4	
25	2G2-24522-00-00	GASKET, drain plug	2	



Ref. No.	Part Number	Description	Qty.	As. Ma No
26	2G2-24543-00-00	PLUG, drain	2	
27	90149-06008-00	BOLT, cock connecting (366-24143-00)	4	
28	90202-06010-00	WASHER, protector (178-14786-00)	4	
29	90445-10133-00	HOSE (8-140) (824-24315-00)	2	
30	90504-06023-00	SPRING, compression	2	
31	90467-09006-00	CLIP (806-24356-00)	4	
32	90445-07176-00	HOSE, vacuum (4.2-200) (395-24317-00)	2	
33	90467-07029-00	CLIP	4	
34	878-82361-00-00	CLAMP	2	
35	2M0-24189-00-00	MOLD, fuel tank	1	
36	90468-03063-00	CLIP	4	