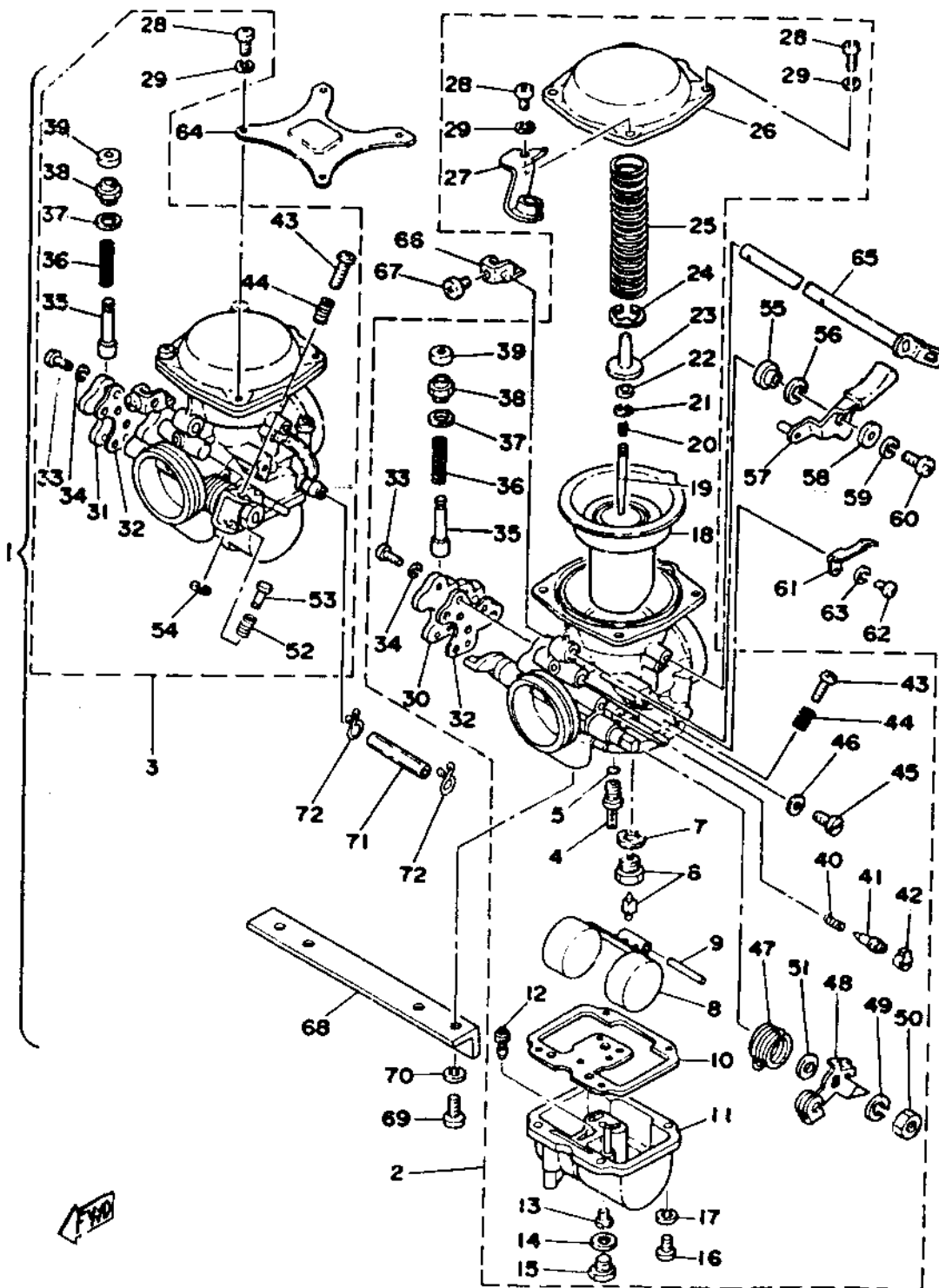


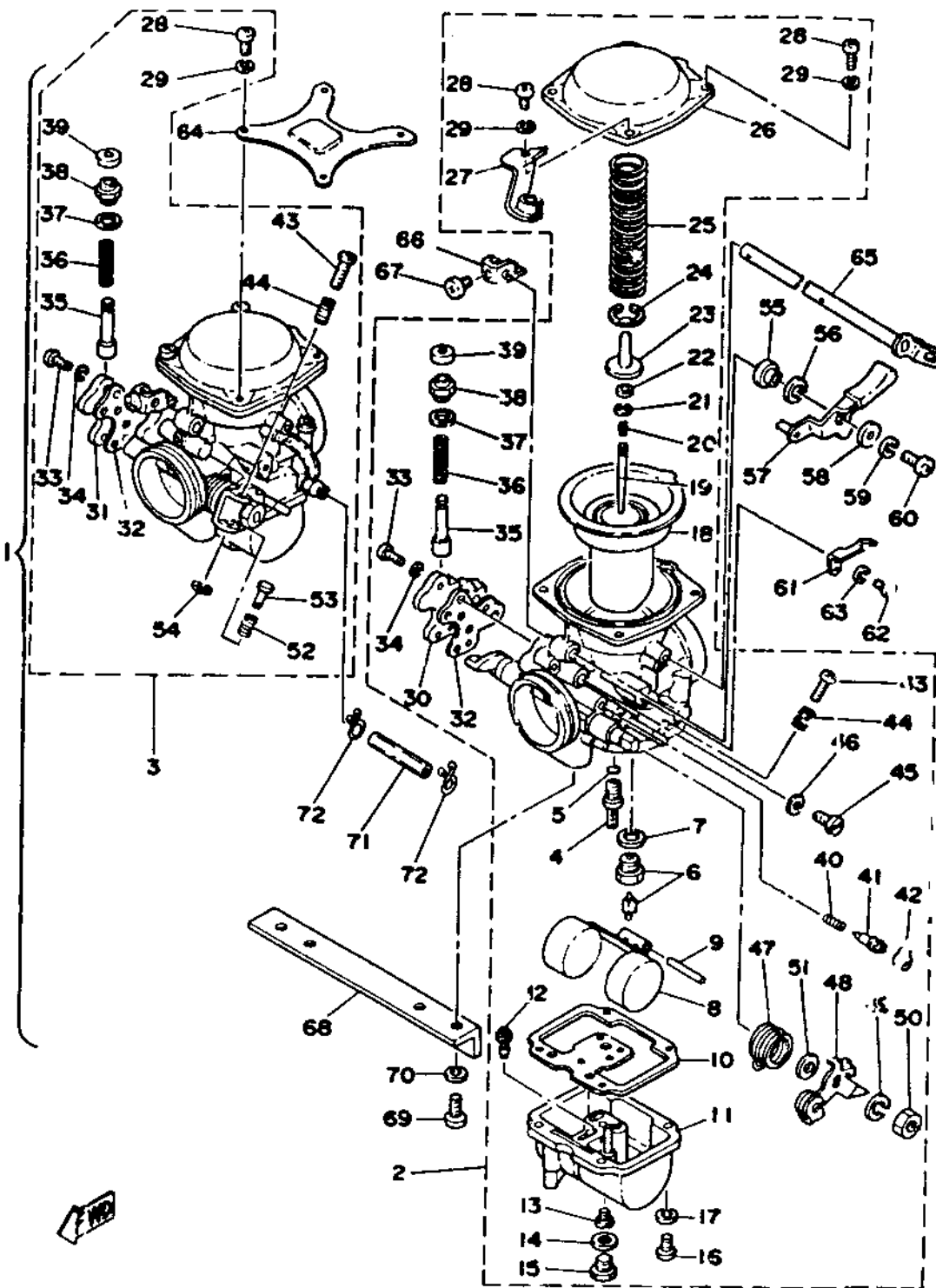
Ref. No.	Part No.	Description	Qty.	Applicat. Machine No.
1		CARBURETOR ASS'Y	1s	
2	2F0-14901-00-00	CARBURETOR ASS'Y, left	1	
3	2F0-14902-00-00	CARBURETOR ASS'Y, right	1	
4	2F0-14941-82-00	NOZZLE, main (Z-2)	2	
5	93210-03142-00	O-RING	2	
6	168-14190-20-00	VALVE SEAT ASS'Y (#20)	2	
7	214-14195-00-00	WASHER, valve seat	2	
8	256-14985-00-00	FLOAT	2	
9	127-14186-00-00	PIN, float	2	
10	256-14984-00-00	GASKET, float chamber	2	
11	1J7-14911-09-00	BODY, float chamber	2	
12	584-14142-27-00	JET, pilot (#27.5)	2	
13	256-14944-26-00	JET, main (#130)	U.R 2	
	256-14944-27-00	JET, main (#135)		
	256-14944-28-00	JET, main (#140)		
14	256-14556-01-00	WASHER	2	
15	1A8-14991-00-00	SCREW, plug	2	
16	98501-04011-00	SCREW, pan head	8	
17	92901-04100-00	WASHER, spring	8	
18	2F0-14940-00-00	DIAPHRAGM ASS'Y	2	
19	2F0-14116-02-00	NEEDLE (502-3)	2	
20	2F0-14589-00-00	SPRING	2	
21	256-14919-00-00	CLIP	2	
22	2F0-14918-00-00	RING	2	
23	2F3-14946-00-00	PLATE, needle fitting	2	
24	2F0-14919-00-00	CLIP	2	

CARBURETOR - mfr./type/I.D. number	Mikuni / BS38 / 2F0-00
Main Jet/Pilot Jet	135 / 27.5
Needle Jet/Jet Needle-Clip Position	Z-2 / 502-3
Slide Cutaway or Throttle Valve	120
Float Level	24mm ± 1.0mm
Idle RPM	1200



Ref. No.	Part No.	Description	Qty.	Applic. Machin. No.
25	2F0-14933-00-00	SPRING, diaphragm	2	
26	256-14958-00-00	COVER, diaphragm	2	
27	447-14928-00-00	THROTTLE BRACKET ASS'Y	1	
28	98501-05016-00	SCREW, pan head	8	
29	92903-05100-00	WASHER, spring	8	
30	2F0-14907-00-00	BODY, starter left	1	
31	1A8-14907-00-00	BODY, starter right	1	
32	447-14979-00-00	GASKET, starter body	2	
33	98501-04012-00	SCREW, pan head	6	
34	92901-04100-00	WASHER, spring	6	
35	584-14171-00-00	PLUNGER, starter	2	
36	256-14135-00-00	SPRING, plunger	2	
37	256-14954-00-00	WASHER	2	
38	584-14176-00-00	CAP, plunger	2	
39	306-14173-00-00	COVER, plunger cap	2	
40	2F0-14134-00-00	SPRING, air adjusting	2	
41	2F0-14923-00-00	SCREW, pilot	2	
42	584-14969-00-00	CAP, pilot screw	2	
43	256-14922-01-00	SCREW, throttle stop	2	
44	256-14934-01-00	SPRING, throttle stop	2	
45	341-14991-00-00	PLUG, screw	2	
46	584-14956-00-00	WASHER, plug screw	2	
47	584-14931-00-00	SPRING, throttle left	1	
48	306-14964-00-00	LEVER, throttle left	1	
49	92903-08100-00	WASHER, spring	2	
50	95301-12600-00	NUT, hexagon	2	

CARBURETOR - mfr./type/I.O. number	Mikuni / BS38 / 2F0-00
Main Jet/Pilot Jet	135 / 27.5
Needle Jet/Jet Needle-Clip Position	Z-2 / 502-3
Slide Cutaway or Throttle Valve	120
Float Level	24mm ± 1.0mm
Idle RPM	1200



Ref. No.	Part No.	Description	Qty.	Applica Machine No.
51	306-14970-00-00	COLLAR, spring	1	
52	584-14934-00-00	SPRING, adjusting	1	
53	584-14992-00-00	ROD, push	1	
54	584-14937-00-00	CLIP, push rod	1	
55	256-14918-00-00	RING	1	
56	584-14955-00-00	WASHER, starter lever	1	
57	306-14905-02-00	LEVER ASSY	1	
58	256-14952-00-00	WASHER	1	
59	92901-04100-00	WASHER, spring	1	
60	98501-04012-00	SCREW, pan head	1	
61	584-14938-00-00	SPRING, starter lever	1	
62	98501-04005-00	SCREW, pan head	1	
63	92901-04100-00	WASHER, spring	1	
64	584-14243-00-00	PLATE, upper	1	
65	2F0-14977-00-00	SHAFT, starter lever	1	
66	2F0-14905-00-00	LEVER, starter 2	2	
67	584-14991-00-00	SCREW, starter lever 2	2	
68	584-14146-00-00	PLATE, lower	1	
69	92503-36015-00	SCREW, pan head	4	
70	92903-06100-00	WASHER, spring	4	
71	306-14988-00-00	HOSE	1	
72	341-14919-00-00	CLIP	2	

CARBURETOR - mfr./type/I.D. number	Mikuni / BS38 / 2F0-0G
Main Jet/Pilot Jet	135 / 27.5
Needle Jet, Jet Needle-Clip Position	Z-2 / 502-3
Slide Cutaway or Throttle Valve	120
Float Level	24mm ± 1.0mm
Idle RPM	1200

