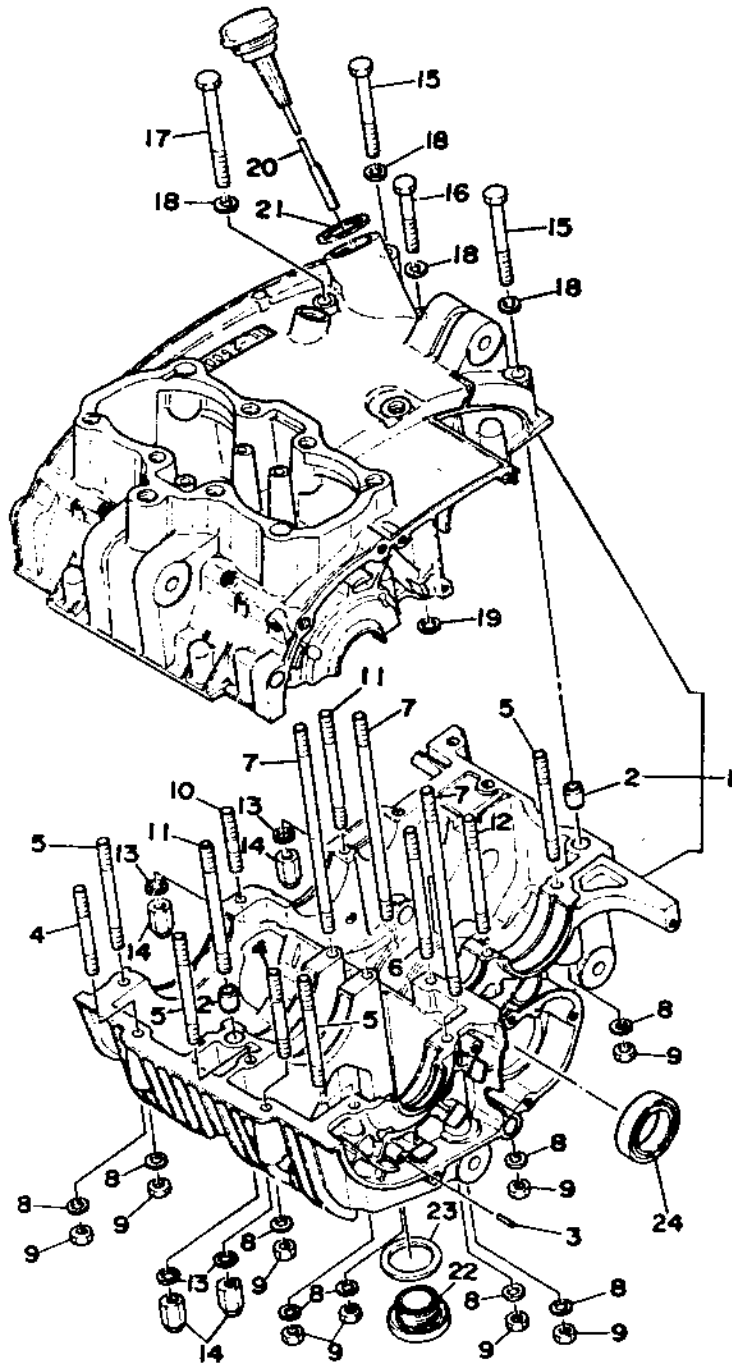


CRANKCASE

Oil Tank or Engine Sump Capacity

Oil Chg: 2000cc / Dry: 2500cc



Ref. No.	Part Number	Description	Qty.	Applica Machin No.
1	306-15100-03-00	CRANKCASE ASSY	1	
2	91830-22016-00	PIN, dowel (8.4-12-16)	2	
3	93603-14026-00	PIN, dowel (3-14)	1	
4	90116-08196-00	BOLT, stud (256-15192-00)	2	
5	90116-08064-00	BOLT, stud (248-11361-00)	4	
6	90116-08232-00	BOLT, stud	1	
7	90116-08199-00	BOLT, stud (256-15196-00)	3	
8	92903-08200-00	WASHER, plain	8	
9	95301-08600-00	NUT, hexagon	8	
10	90116-08047-00	BOLT, stud (306-15192-00)	1	
11	90116-08066-00	BOLT, stud (306-15293-00)	2	
12	90116-08055-00	BOLT, stud (306-15197-00)	1	
13	90430-08143-00	GASKET (258-11198-00)	6	
14	90176-08019-00	NUT, hexagon	6	
15	97323-08075-00	BOLT, hexagon	2	
16	97313-08055-00	BOLT, hexagon	1	
17	97323-08090-00	BOLT, hexagon	1	
18	92903-08200-00	WASHER, plain	4	
19	256-15395-00-00	GASKET, oil sealing	1	
20	256-15362-02-00	PLUG, oil level	1	
21	90430-29050-00	GASKET (256-15364-00)	1	
22	256-15351-00-00	PLUG, drain	1	
23	256-15353-00-00	GASKET, drain plug	1	
24	93102-34095-00	OIL SEAL (SD-34-46-10.5)	1	