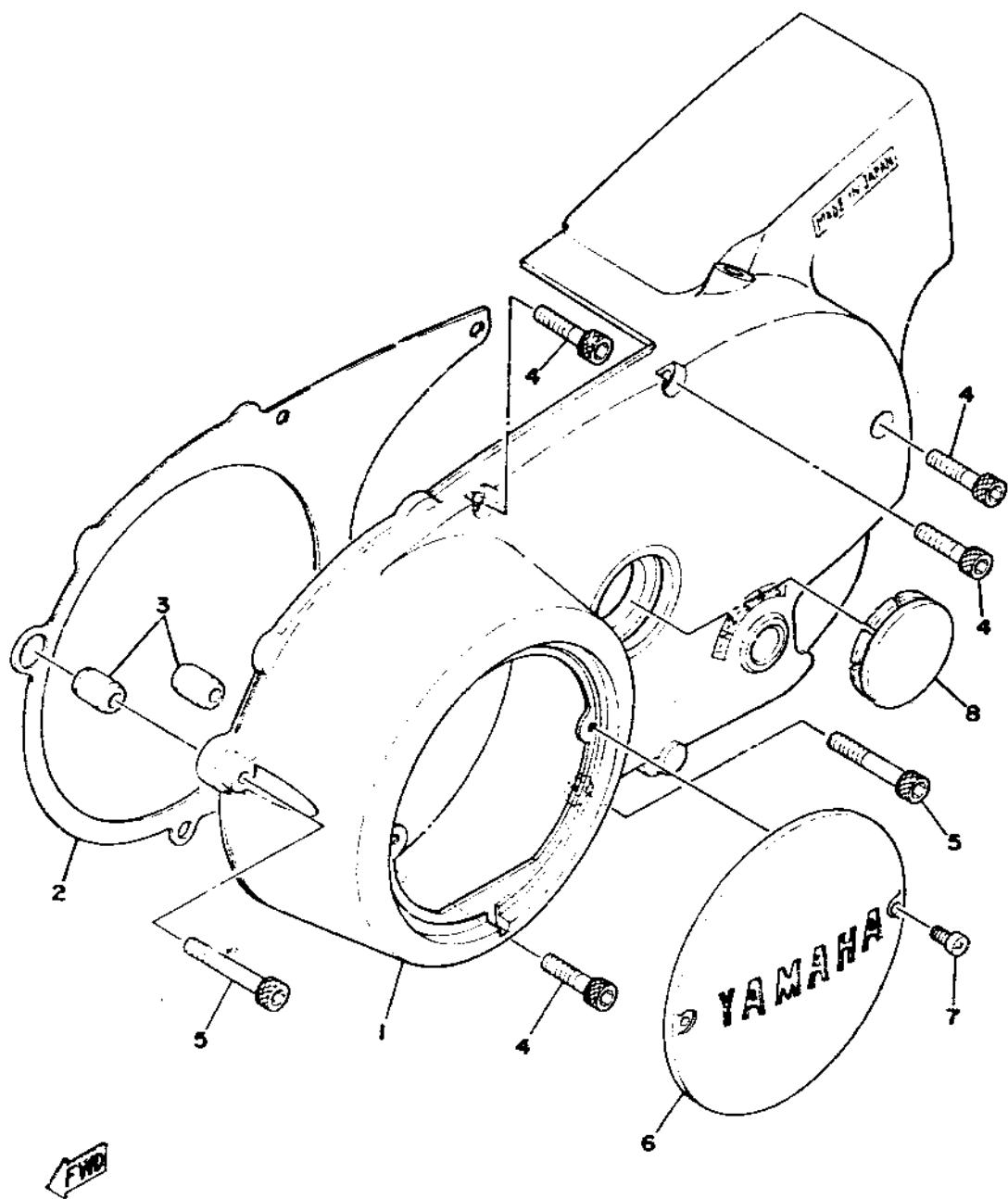
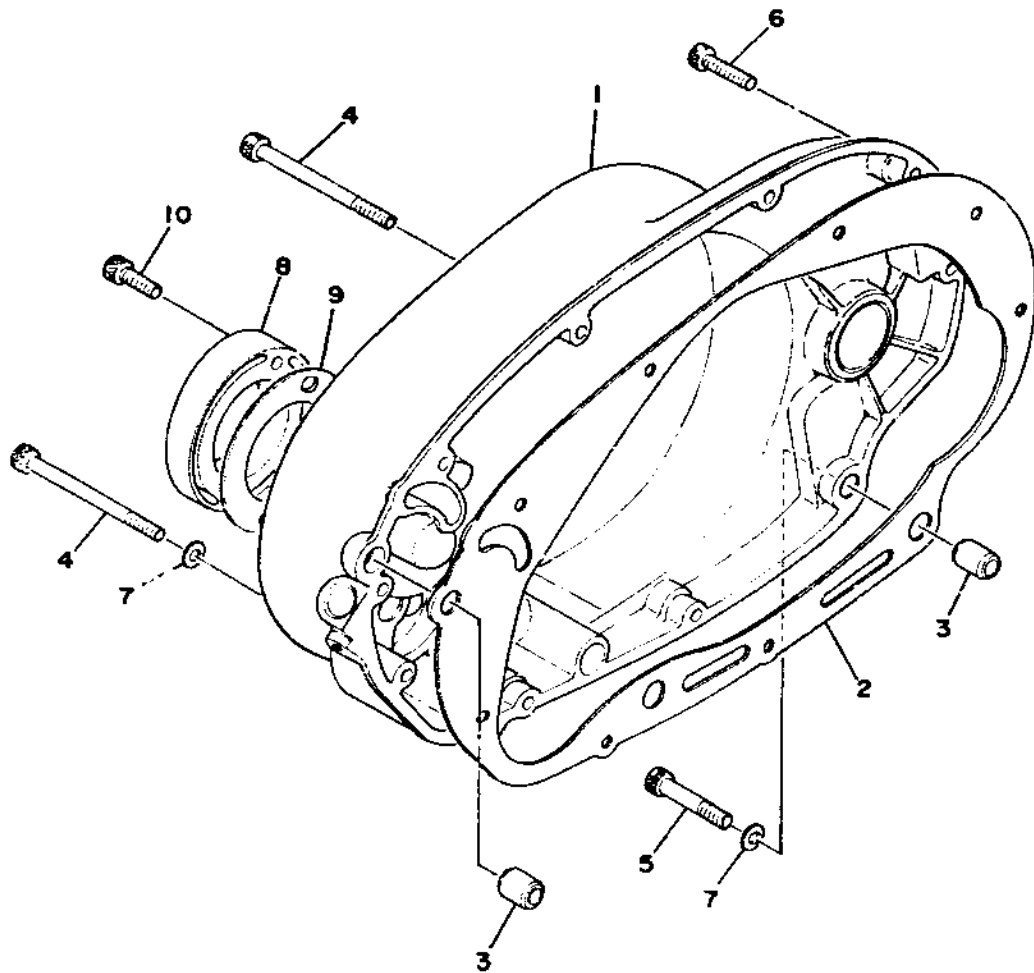


CRANKCASE COVER (LEFT)



Ref. No.	Part No.	Description	Qty.	Applicab Machine No.
1	584-15411-00-00	COVER, crankcase left	1	
2	306-15461-00-00	GASKET, crankcase cover left	1	
3	91830-22016-00	PIN, dowel (8.4-12-16)	2	
4	91316-06025-00	BOLT, hexagon socket head	4	
5	91316-06040-00	BOLT, hexagon socket head	2	
6	256-15425-00-00	COVER, generator	1	
7	98501-05010-00	SCREW, pan head	2	
8	256-15417-01-00	COVER, adjust	1	



Ref. No.	Part Number	Description	Qty.	Apply Machin. No.
1	256-15421-04-00	COVER, crankcase right (256-15421-03)	1	
2	256-15451-00-00	GASKET, crankcase cover right.	1	
3	91830-22016-00	PIN, dowel (8.4-12-16)	2	
4	91318-06075-00	BOLT, hexagon socket head	4	
5	91316-06040-00	BOLT, hexagon socket head	1	
6	91316-06025-00	BOLT, hexagon socket head	5	
7	90430-08014-00	GASKET (256-11396-00)	4	
8	256-15416-02-00	COVER, oil cleaner.....	1	
9	256-15456-00-00	GASKET.....	1	
10	91316-06025-00	BOLT, hexagon socket head	2	

