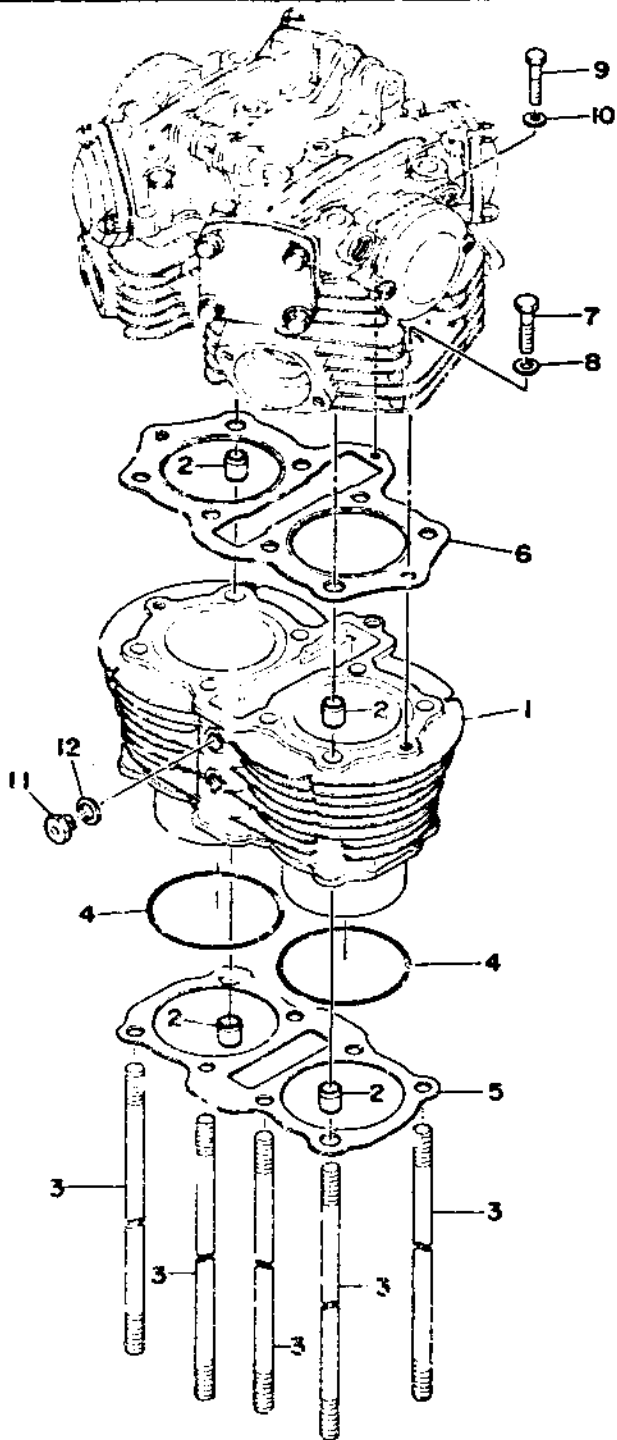


ENGINE TYPE	4 stroke, SOHC, air-cooled
Bore/Stroke/Number Cylinders/Displacement (cc)	75mm / 74mm / 2 / 653cc
Compression Ratio/Compression Pressure min.~max	8.5:1 / 128~156 psi



Ref. No.	Part Number	Description	Qty.	Applic. Machine No.
1	2M0-11310-00-00	CYLINDER.....	1	
2	91800-16016-00	PIN, dowel (10.5-14-16).....	4	
3	90116-10109-00	BOLT, stud (256-11361-00).....	8	
4	93210-82153-00	O-RING (1.5-81.5).....	2	
5	256-11351-01-00	GASKET, cylinder 1 (256-11351-00)	1	
6	306-11181-00-00	GASKET, cylinder head.....	1	
7	97321-08035-00	BOLT, hexagon.....	2	
8	92903-08200-00	WASHER, plain.....	2	
9	97313-06035-00	BOLT, hexagon (97323-06035).....	1	
10	92903-06200-00	WASHER, plain.....	1	
11	256-11395-02-00	HOLDER.....	2	
12	80430-11033-00	GASKET (256-11397-01).....	2	

