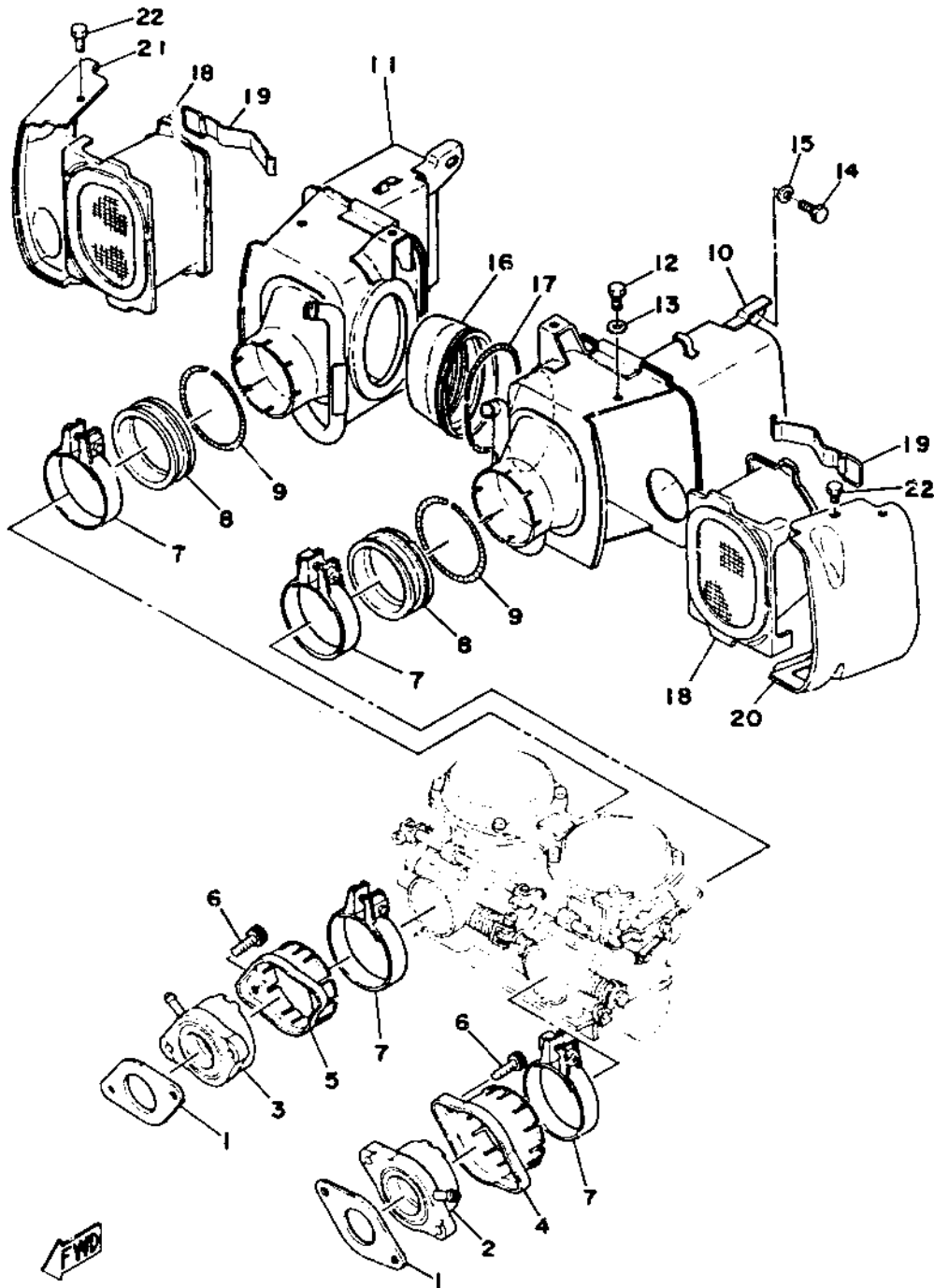


INTAKE



Ref. No.	Part Number	Description	Qty.	Applicable Machine No.
1	256-13556-01-00	GASKET, manifold	2	
2	2FO-13586-00-00	JOINT, carburetor left	1	
3	2FO-13596-00-00	JOINT, carburetor right	1	
4	2FO-13564 00-00	COVER, manifold left	1	
5	2FO-13584-00-00	PIPE, manifold right	1	
6	91316-06020-00	BOLT, hexagon socket head	4	
7	90460-58015-00	BAND (371-14456-00)	4	
8	341-14453-00-00	JOINT, cleaner	2	
9	90506-06006-00	SPRING (256-14487-00)	2	
10	1E1-14411-00-00	CASE, air cleaner left	1	
11	1E1-14421-00-00	CASE, air cleaner right	1	
12	97301-06016-00	BOLT, hexagon (97301-06015)	4	
13	92903-06200-00	WASHER, plain	4	
14	97301-06025-00	BOLT, hexagon	2	
15	92903-06100-00	WASHER, spring	2	
16	447-14463-01-00	JOINT, air cleaner	1	
17	90506-06095-00	SPRING (288-14455-00)	1	
18	533-14451-00-00	ELEMENT, air cleaner	2	
19	533-14468-02-00	SPRING, element fitting	2	
20	447-14412-01-00	CAP, case left	1	
21	447-14422-01-00	CAP, case right	1	
22	97301-06010-00	BOLT, hexagon	2	