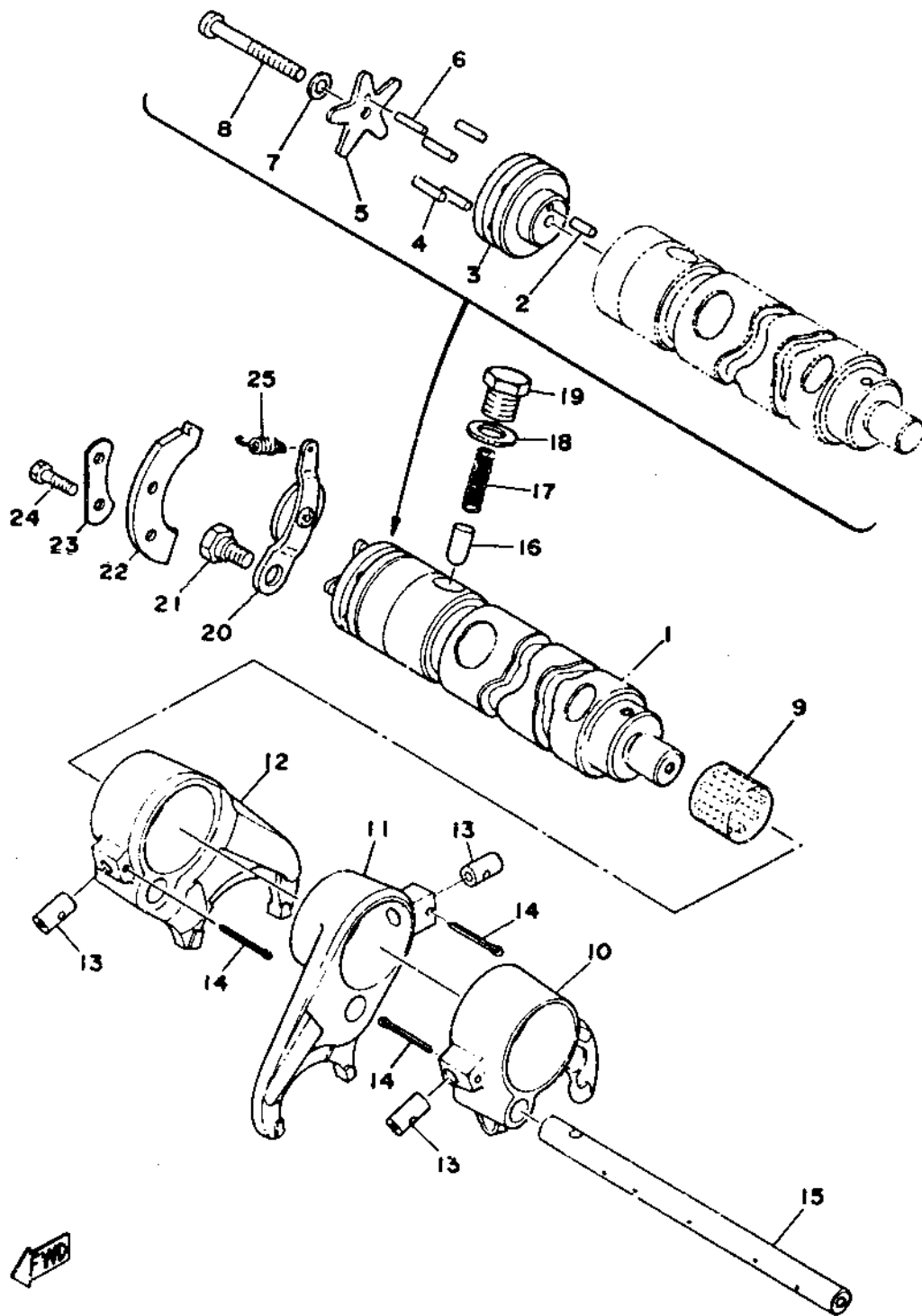
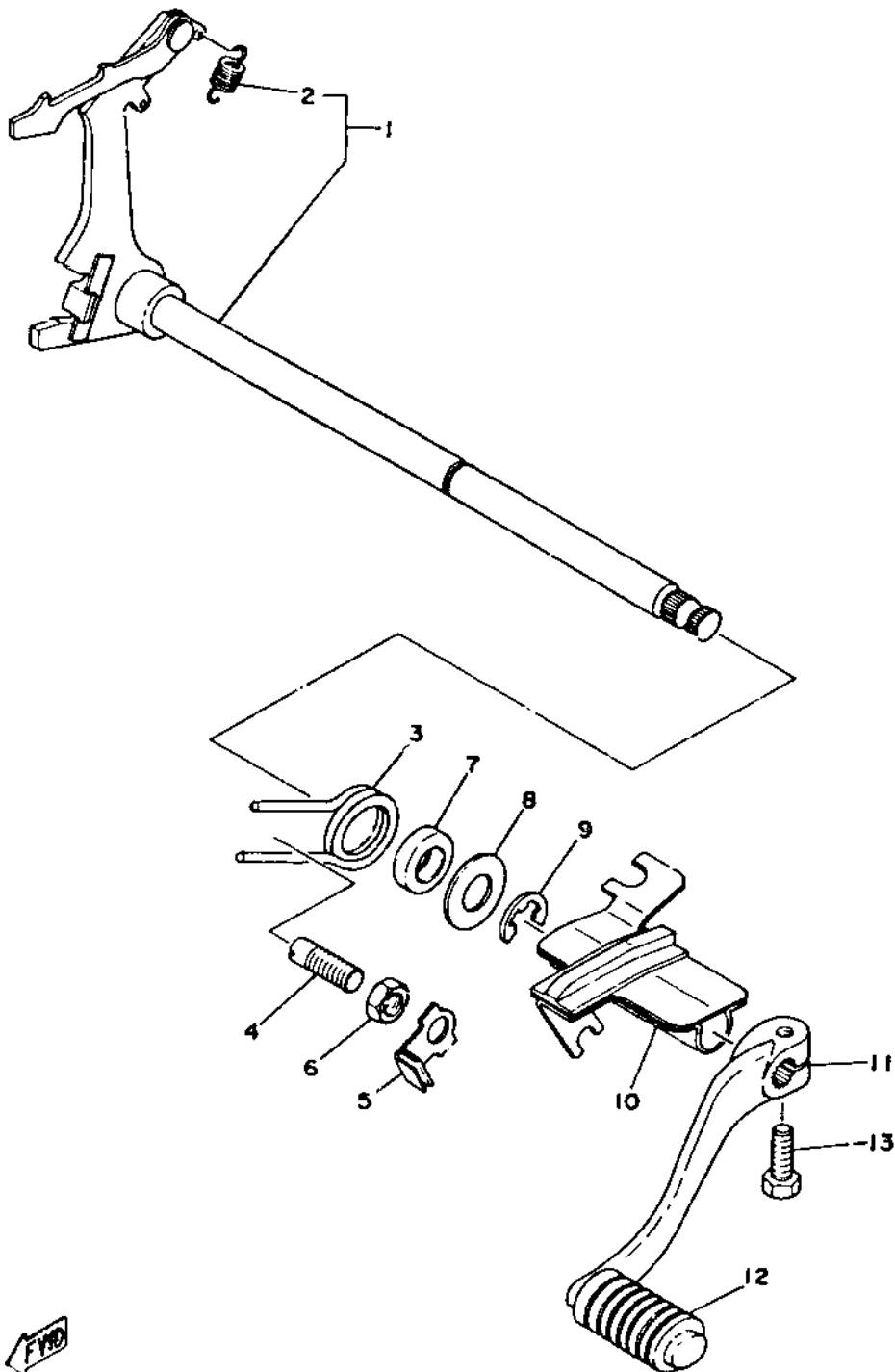


SHIFTER 1



Ref. No.	Part Number	Description	Qty.	Applica Mechan No.
1	306-18540-00-00	SHIFT CAM ASS'Y	1	
2	93604-10011-00	PIN, dowel	2	
3	306-18548-00-00	CAM, shift 2	1	
4	93604-14012-00	PIN, dowel (4-13.8)	4	
5	168-18561-00-00	PLATE, side	1	
6	93603-14026-00	PIN, dowel (3-14)	1	
7	92901-05300-00	WASHER, tooth	1	
8	98501-05046-00	SCREW, pan h.e. (98501-05045)	1	
9	93320-31501-00	BEARING	1	
10	256-18511-00-00	SHIFT FORK, 5th gear wheel	1	
11	256-18512-00-00	SHIFT FORK, 3rd pinion gear	1	
12	256-18513-00-00	SHIFT FORK, 4th gear wheel	1	
13	90249-08122-00	PIN	3	
14	91401-25025-00	PIN, cotter	3	
15	256-18531-00-00	BAR, shift fork guide	1	
16	137-18547-00-00	STOPPER, cam	1	
17	90501-10088-00	SPRING (306-18558-00)	1	
18	90430-16047-00	GASKET (256-18567-00)	1	
19	90109-16392-00	BOLT	1	
20	341-18140-00-00	STOPPER LEVER ASS'Y	1	
21	90109-08181-00	BOLT (256-18177-00)	1	
22	256-18562-00-00	PLATE, stopper	1	
23	256-18565-00-00	PLATE, screw lock	1	
24	90101-06091-00	BOLT (341-18594-00)	2	
25	90506-10022-00	SPRING, tension (256-18143-02)	1	



Ref. No.	Part No.	Description	Qty.	Applicable Machine No.
1	256-18101-02-00	SHIFT SHAFT ASS'Y	1	
2	90508-08007-00	SPRING (168-18123-00)	1	
3	90508-32053-00	SPRING (168-18124-00)	1	
4	90149-10018-00	SCREW (168-18133-00)	1	
5	90215-10106-00	WASHER, lock (306-18139-00)	1	
6	90170-10038-00	NUT, hexagon	1	
7	93109-14010-00	OIL SEAL (SDD-14-24-6)	1	
8	90201-14220-00	WASHER, plate (248-18137-00)	1	
9	93430-12009-00	CIRCLIP (E-12)	1	
10	447-17467-02-00	GUIDE, chain	1	
11	1J7-18111-01-93	PEDAL, shift	1	
12	132-18113-01-00	COVER, shift pedal	1	
13	97321-06020-00	BOLT, hexagon	1	