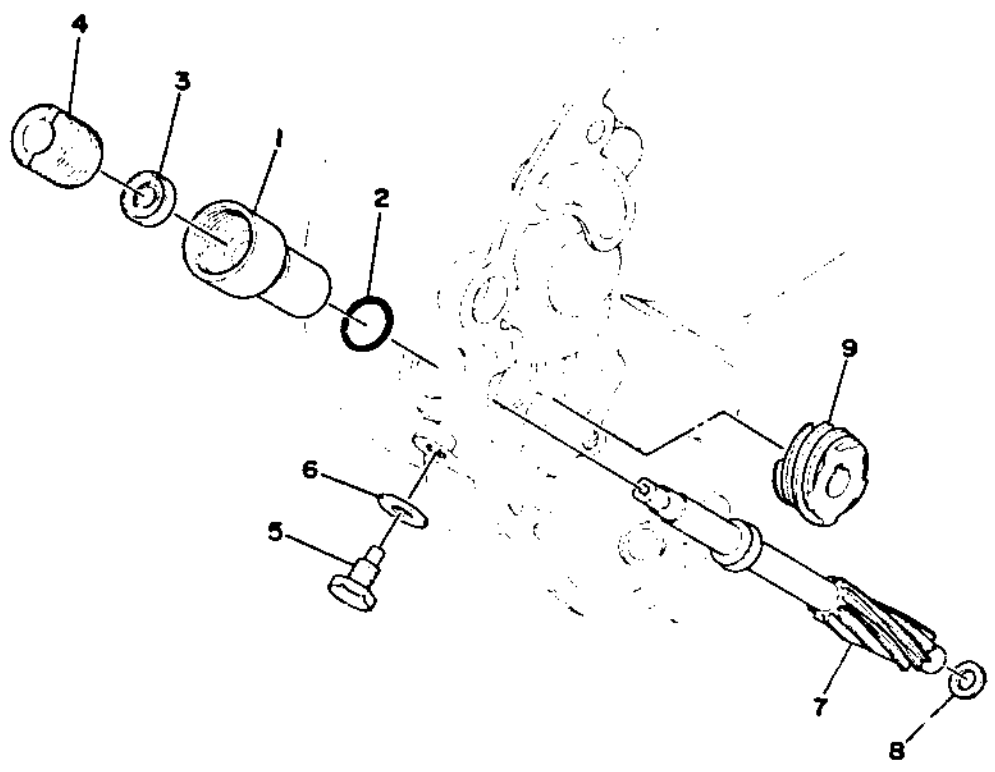


TACHOMETER GEAR

Ref No.	Part No.	Description	Qty.	App. Mech No.
1	256-17811-01-00	HOUSING	1	
2	93210-12154-00	O-RING (1.3-11.5)	1	
3	93104-07036-00	OIL SEAL (SO-7-13-4)	1	
4	256-17848-00-00	ADAPTER	1	
5	90109-06076-00	BOLT (256-17867-00)	1	
6	90430-06014-00	GASKET (256-11396-00)	1	
7	256-17841-01-00	GEAR, driven	1	
8	256-17837-00-00	SHIM (8.2-12-1.0)	1	
9	256-17831-00-00	GEAR, drive	1	



← FWD