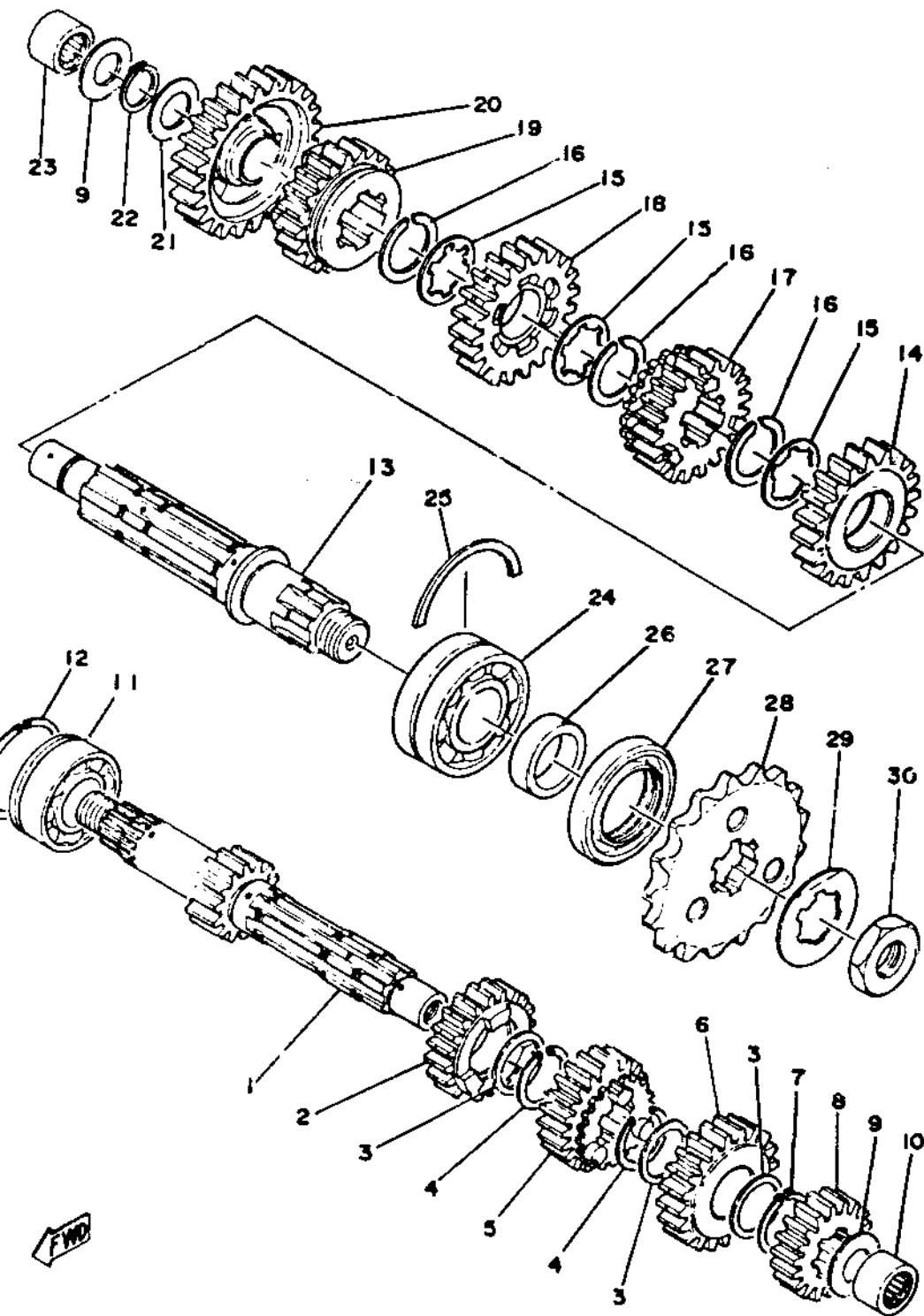


Ref. No.	Part Number	Description	Qty.	Applicable Machine No.
1	306-17411-02-00	AXLE, main (13T) (306-17411-01)...	1	
2	256-17141-02-00	GEAR, 4th pinion (21T).....	1	
3	90201-25287-00	WASHER, plate.....	3	
4	93440-25020-00	CIRCLIP (25φ special).....	2	
5	256-17131-04-00	GEAR, 3rd pinion (20T).....	1	
6	341-17151-04-00	GEAR, 5th pinion (23T).....	1	
7	93410-25017-00	CIRCLIP (S-25).....	1	
8	256-17121-01-00	GEAR, 2nd pinion (17T).....	1	
9	137-17427-00-08	SHIM, drive axle (20.2-33-3.6).....	2	U.R.
	137-17427-00-09	SHIM, drive (20.2-33-1.0) (137-17427-00-10).....		
10	93313-32007-00	BEARING.....	1	
11	93300-20504-00	BEARING (B5205).....	1	
12	93440-52014-00	CIRCLIP (52φ special).....	1	
13	256-17421-01-00	AXLE, drive.....	1	
14	256-17221-02-00	GEAR, 2nd wheel (27T).....	1	
15	256-17236-00-10	WASHER, gear hold 3 (26.2-34-1.0)	3	U.R.
	256-17236-00-12	WASHER, gear hold 3 (26.2-34-1.2)		
16	93440-30015-00	CIRCLIP (30φ special).....	3	
17	256-17251-04-00	GEAR, 5th wheel (22T).....	1	
18	256-17131-04-00	GEAR, 3rd wheel (26T).....	1	
19	256-17241-02-00	GEAR, 4th wheel (23T).....	1	
20	306-17211-00-00	GEAR, 1st wheel (32T).....	1	

TRANSMISSION - oil type/qty chg/qty reassemble	SAE 20W40SE (Yamafube 4 ⁺) / see ENGINE
Primary drive type	Spur Gear
Secondary drive type/teeth/chain	Chain / 24-17 / SK530HDS - 104L



Ref. No.	Part Number	Description	Qty.	Applicable Machine No.
21	30201-20266-00	WASHER, plate (132-17216-00)	1	
22	93410-20021-00	CIRCLIP (S-20)	1	
23	93313-32005-00	BEARING	1	
24	93305-20602-00	BEARING (B5206 special)	1	
25	168-17424-00-00	CIRCLIP	1	
26	90387-30200-00	COLLAR (256-17482-00)	1	
27	93105-40018-00	OIL SEAL (SDD-40-62-9)	1	
28	256-17461-71-00	SPROCKET, drive (17T) (256-17461-70)	1	
29	90215-26024-00	WASHER, lock (256-17464-00)	1	
30	90179-22022-00	NUT, lock (256-17463-00)	1	

TRANSMISSION — oil type/qty chg/qty reassemble	SAE 20W-40SE (Yamalube 4 [®]) / see ENGINE
Primary drive type	Spur Gear
Secondary drive type/teeth/chain	Chain / 34-17 / SK530HDS . . 04L