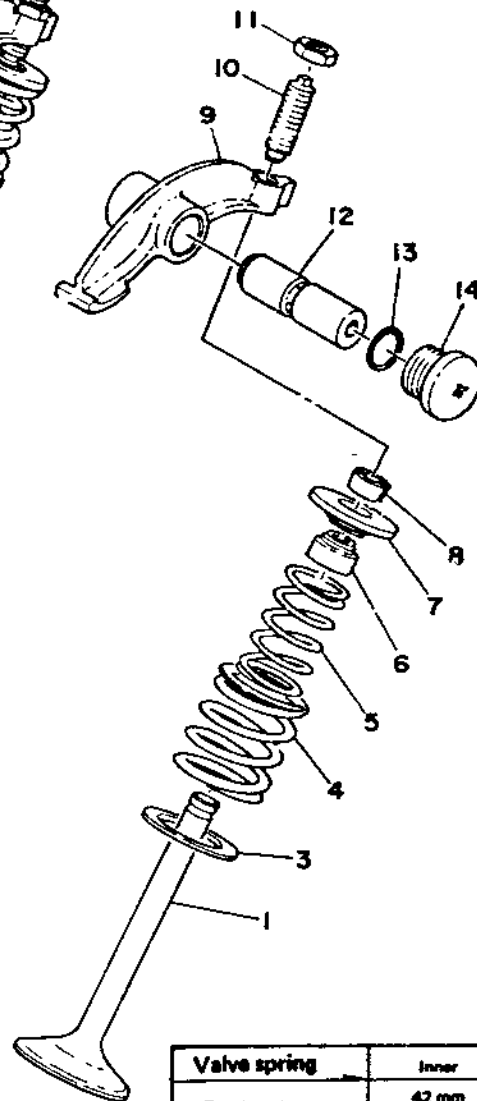
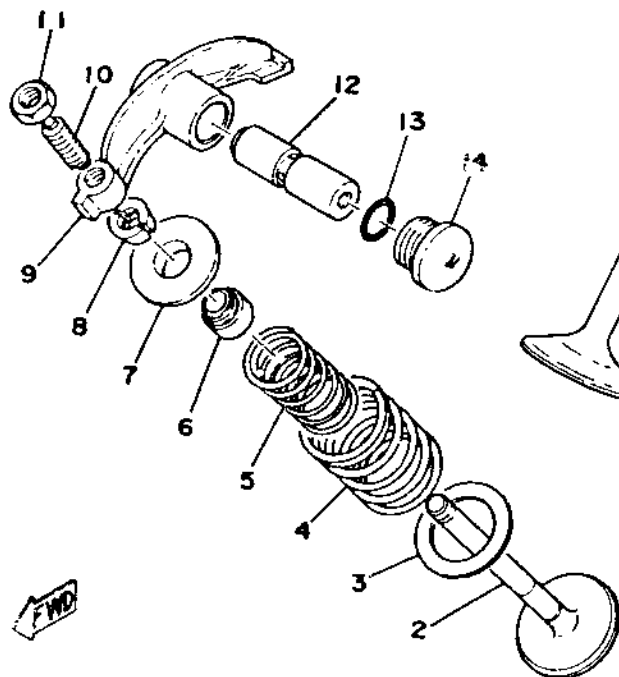


VALVE ADJUSTING TOOL ACC-11080-35-00  
VALVE GUIDE REAMER 90890-01211-00



| Ref. No. | Part Number     | Description                                | Qty. | Applicable Machine No. |
|----------|-----------------|--|------|------------------------|
| 1        | 341-12111-03-00 | VALVE, intake (341-12111-02).....          | 2    |                        |
| 2        | 341-12121-01-00 | VALVE, exhaust.....                        | 2    |                        |
| 3        | 256-12116-01-00 | SEAT, valve spring.....                    | 4    |                        |
| 4        | 90501-42286-00  | SPRING (447-12114-00).....                 | 4    |                        |
| 5        | 90501-29294-00  | SPRING (447-12113-00).....                 | 4    |                        |
| 6        | 341-12119-02-00 | SEAL, valve stem oil.....                  | 4    |                        |
| 7        | 256-12117-00-00 | RETAINER, valve spring.....                | 4    |                        |
|          | 256-12117-01-00 | RETAINER, valve spring (256-12117-00)..... | 4    |                        |
| 8        | 341-12118-00-00 | LOCK, valve spring retainer.....           | 8    |                        |
| 9        | 306-12151-00-00 | ARM, valve rocker.....                     | 4    |                        |
| 10       | 9C149-08098-00  | SCREW, valve adjusting (583-12159-00)..... | 4    |                        |
| 11       | 9017G-08173-00  | NUT, hexagon.....                          | 4    |                        |
| 12       | 256-12156-01-00 | SHAFT, rocker.....                         | 4    |                        |
| 13       | 93210-17143-00  | O-RING (2.5-17.7).....                     | 4    |                        |
| 14       | 90340-18017-00  | PLUG (256-11177-00).....                   | 4    |                        |

| Valve spring                         | Inner                              | Outer                                |
|--------------------------------------|------------------------------------|--------------------------------------|
| Free length                          | 42 mm<br>(1.654 in)                | 42.86 mm<br>(1.675 in)               |
| Installed pressure<br>(Valve closed) | 9.3 ~ 10.7 kg<br>(20.5 ~ 23.6 lb)  | 16.45 ~ 18.05 kg<br>(36.3 ~ 41.8 lb) |
| Installed length<br>(Valve closed)   | 36 mm<br>(1.378 in)                | 37 mm<br>(1.457 in)                  |
| Compressed pressure<br>(Valve open)  | 25.3 ~ 28.1 kg<br>(55.8 ~ 62.0 lb) | 53.5 ~ 61.5 kg<br>(118.0 ~ 135.6 lb) |
| Compressed length<br>(Valve open)    | 25.5 mm<br>(1.004 in)              | 27.5 mm<br>(1.083 in)                |
| Allowable tilt from vertical         | 1.6 mm or 2.5°<br>(0.063 in)       | ←                                    |