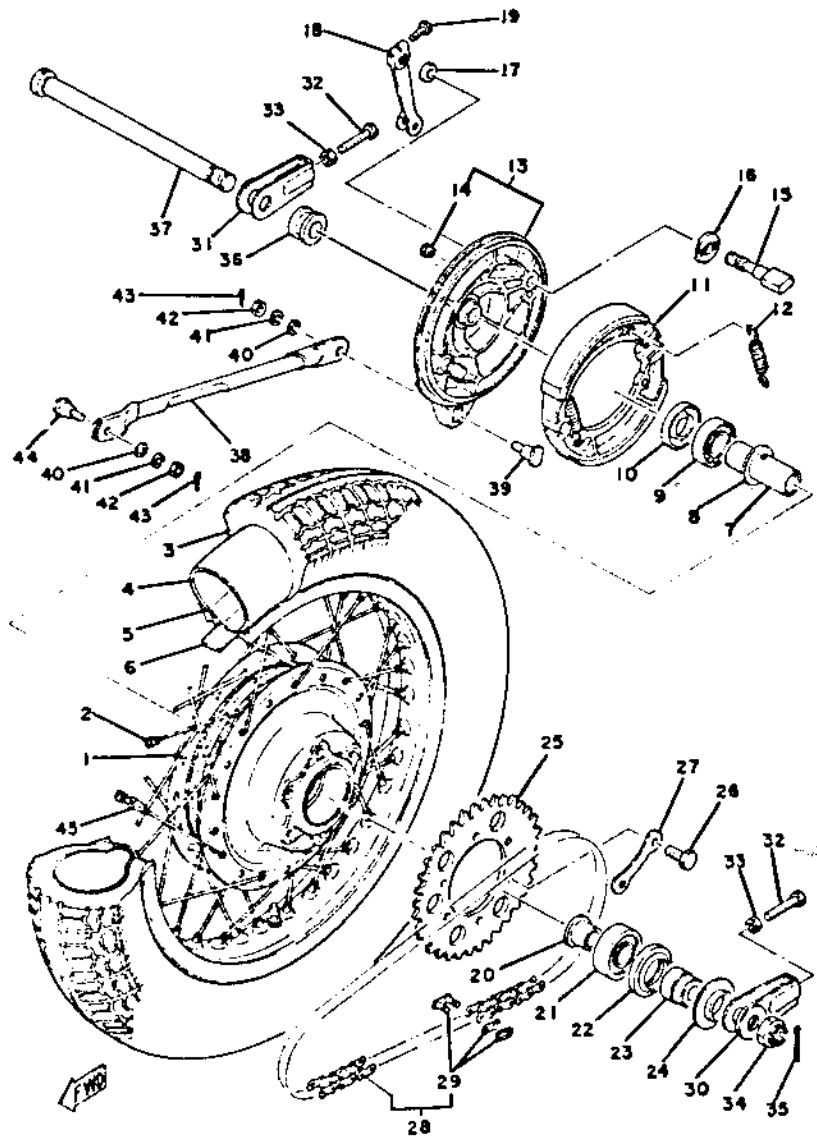


No.	Number	Description	Qty.
1	256-25311-00-00	HUB, rear	1
2	2M1-25304-00-00	SPOKE SET	1s
3	94113-16388-00	TIRE, rear (130/90 S16-4PR)	1
4	94213-16134-00	TUBE (130/90-16)	1
5	94427-16213-00	RIM (MT2.75-16)	1
6	94322-16090-00	BAND, rim	1
7	90560-20135-00	SPACER (256-25317-00)	1
8	256-25315-00-00	FLANGE, spacer	1
9	93306-30404-00	BEARING (B6304Z)	1
10	93104-27026-00	OIL SEAL (SO-27-52-5)	1
11	447-25330-01-00	BRAKE SHOE COMP.	2
12	90507-20002-00	SPRING, tension (246-25333-00)	2
13	1T3-25026-00-00	BRAKE SHOE PLATE ASS'Y	1
14	90480-10068-00	GROMMET	1
15	1T3-25351-00-00	CAMSHAFT	1
16	90201-14577-00	SHIM, camshaft	1
17	148-25359-00-00	SEAL, camshaft	1
18	341-25355-00-00	LEVER, camshaft	1
19	30101-06291-00	BOLT, hexagon	1
20	90387-20166-00	COLLAR (256-25376-00)	1
21	93306-30507-00	BEARING (B6305Z)	1
22	93102-35065-00	OIL SEAL (SD-35-62-9)	1
23	90387-20176-00	COLLAR (256-25377-00)	1

Minimum Brake Lining Thickness	Front: 6mm	Rear: 2mm
Tire Size (Nominal Pressure)	F: 3.50S19 (1.6kg/cm <sup>2</sup> /23 psi) R: 130/90S16 (2.0kg/cm <sup>2</sup> /29 psi)	
<b>TORQUE VALUES</b>		
Rear Axle Nut	18 x 1.5: 15.0 m·kg	



Ref. No.	Part Number	Description	Qty.
24	256-25367-00-00	COVER, dust .....	1
25	256-25434-20-33	GEAR, sprocket wheel (34T) (256-25434-20) .....	1
26	90105-10007-00	BOLT (146-25411-00).....	6
27	256-25412-00-00	WASHER, lock.....	3
28	94580-05104-00	CHAIN (50HDS-104L) .....	1
29	94680-05011-00	JOINT, chain (50HDS) .....	1
30	3N0-25389-00-00	PULLER, chain left .....	1
31	3N0-25388-00-00	PULLER, chain right.....	1
32	90101-08034-00	BOLT, hexagon (168-25379-00)	2
33	90170-08158-00	NUT, hexagon .....	2
34	90171-18008-00	NUT, castle (256-25382-00) ....	1
35	91401-40035-00	PIN, cotter .....	1
36	90387-20444-00	COLLAR (341-25383-00) .....	1
37	341-25381-00-00	SHAFT, wheel .....	1
38	2M1-25371-00-00	BAR, tension .....	1
39	90109-08338-00	BOLT (341-25378-00).....	1
40	92901-08600-00	WASHER, plate.....	2
41	92903-08100-00	WASHER, spring (92901-08100)	2
42	90170-08158-00	NUT, hexagon .....	2
43	91401-20015-00	PIN, cotter .....	2
44	90109-08374-00	BOLT.....	1
45	156-25398-00-00	BALANCER, wheel .....	U.N.