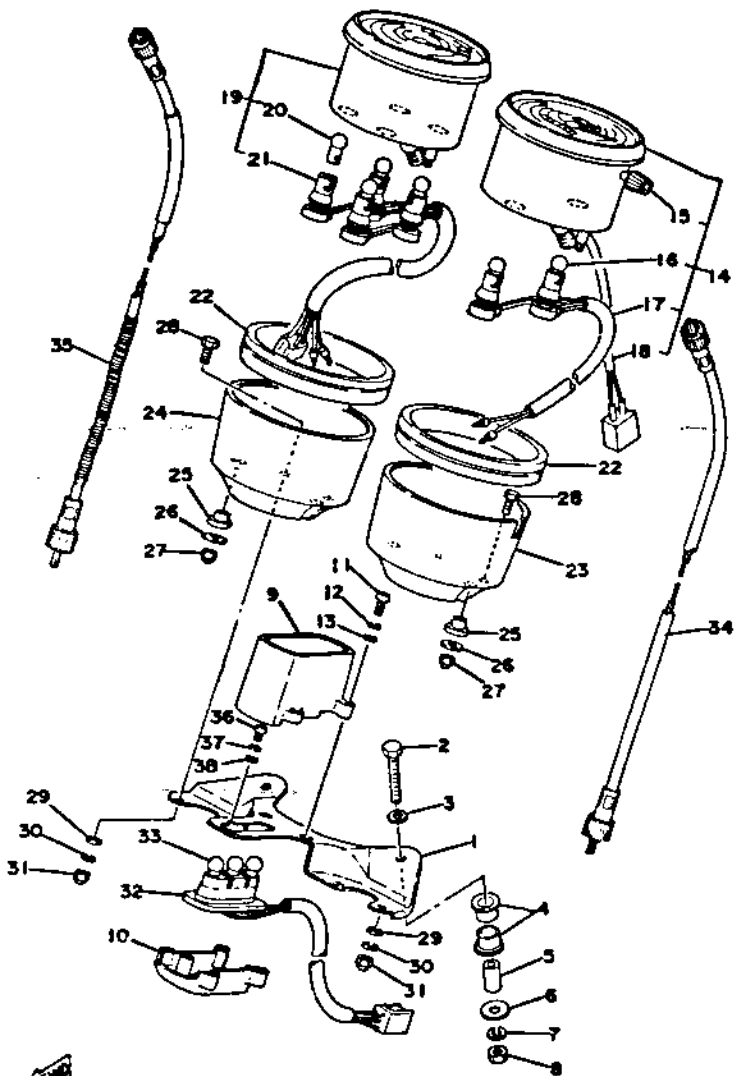


Ref. No.	Part Number	Description	Qty.
1	2M0-83519-00-00	BRACKET, meter.....	1
2	97306-06040-00	BOLT, hexagon .....	2
3	92906-06600-00	WASHER, plate.....	2
4	584-83541-00-00	DAMPER, meter .....	4
5	90387-06249-00	COLLAR (6.5-10.5-26) .....	2
6	90201-06067-00	WASHER, plate (90201-06380) .....	2
7	92903-06100-00	WASHER, spring (92901-06100) .....	2
8	95301-06600-00	NUT, hexagon .....	2
9	2M0-83568-00-00	PILOT BOX, upper.....	1
10	2G2-83569-A0-00	PILOT BOX, under.....	1
11	98506-04012-00	SCREW, pan head.....	4
12	92906-04100-00	WASHER, spring.....	4
13	92906-04600-00	WASHER, plate.....	4
14	2J2-83570-A0-00	SPEEDOMETER ASS'Y .....	1
15	584-83578-71-00	. KNOB, trip meter.....	1
16	123-83516-21-00	. BULB (12V-3.4W).....	2
17	584-83536-01-00	. SOCKET CORD ASS'Y 1.....	1



Ref. No.	Part Number	Description	Qty.
19	2M0-83540-A0-00	TACHOMETER ASS'Y .....	1
20	123-83516-21-00	. BULB (12V-3.4W).....	4
21	2G2-83520-00-00	. SOCKET CORD ASS'Y 3.....	1
22	3H3-83513-00-00	DAMPER, meter (584-83513-01)	2
23	2J2-83507-00-00	COVER, speedometer.....	1
24	2J2-83508-00-00	COVER, tachometer .....	1
25	584-83523-00-00	DAMPER.....	4
26	90201-05031-00	WASHER, plate (256-82517-00)	4
27	95301-05800-00	NUT, crown .....	4
28	584-83546-00-00	BOLT.....	4
29	92903-06200-00	WASHER, plain (92901-06200)	4
30	92903-06100-00	WASHER, spring (92901-06100)	4
31	95301-06800-00	NUT, crown .....	4
32	2G2-83509-A0-00	SOCKET CORD ASS'Y 2 .....	1
33	123-83516-21-00	BULB (12V-3.4W).....	3
34	341-83550-01-00	SPEEDOMETER CABLE ASS'Y	1
35	447-83560-01-00	TACHOMETER CABLE ASS'Y...	1
36	92503-04008-00	SCREW, pan head (92501-04008)	1
37	92901-04100-00	WASHER, spring.....	1
38	92901-04600-00	WASHER, plate.....	1