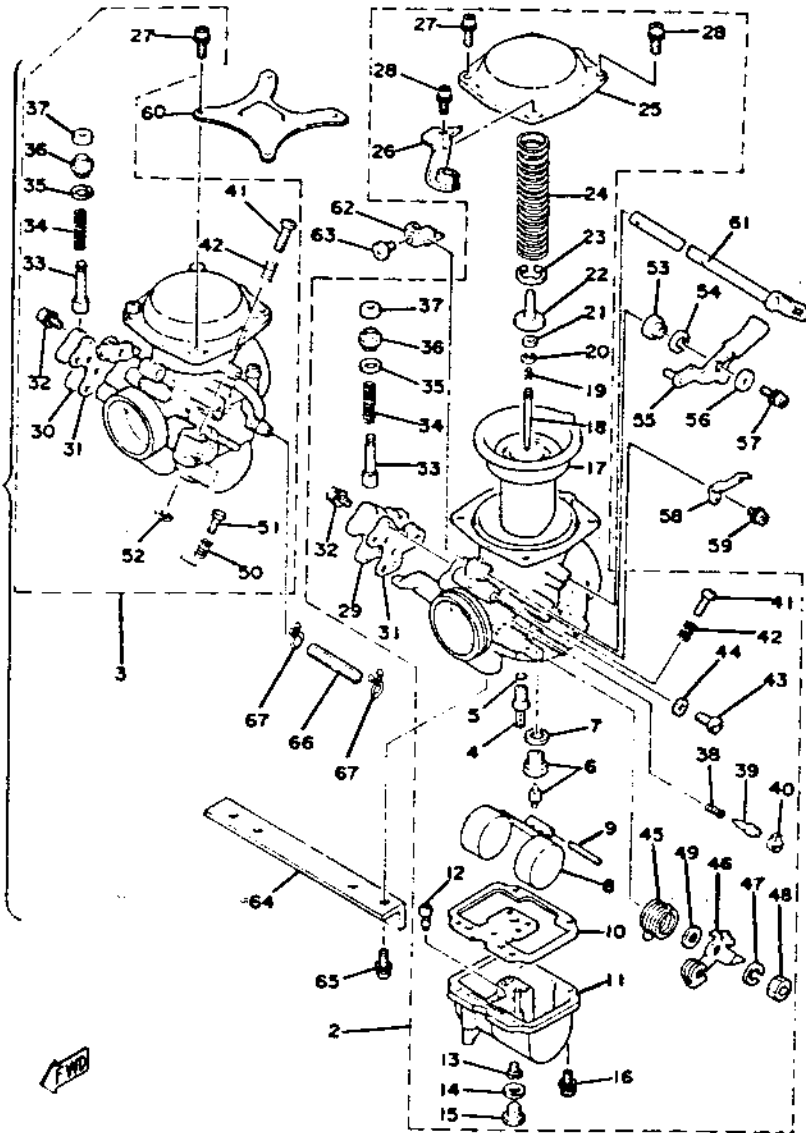
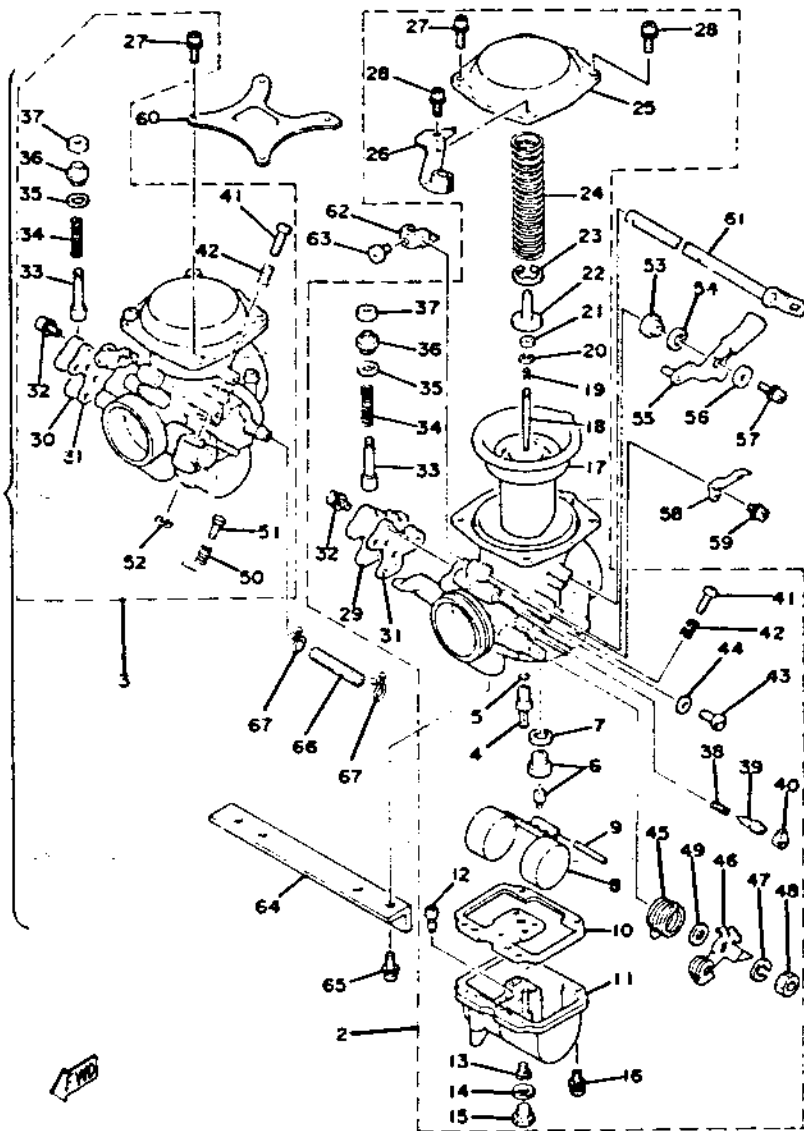


| Ref. No. | Part Number | Description | Qty. |
|----------|-------------------|---|------|
| 1 | (2F0-14900-00-00) | CARBURETOR ASS'Y..... | 1s |
| 2 | 2F0-14901-00-00 | CARBURETOR ASS'Y, left.... | 1 |
| 3 | 2F0-14902-00-00 | CARBURETOR ASS'Y, right... | 1 |
| 4 | 2F0-14941-82-00 | NOZZLE, main (Z-2) | 2 |
| 5 | 93210-03142-00 | O-RING..... | 2 |
| 6 | 168-14190-20-00 | VALVE SEAT ASS'Y (#20) ... | 2 |
| 7 | 214-14195-00-00 | WASHER, valve seat | 2 |
| 8 | 256-14985-00-00 | FLOAT..... | 2 |
| 9 | 127-14186-00-00 | PIN, float | 2 |
| 10 | 256-14984-00-00 | GASKET, float chamber..... | 2 |
| 11 | 1J7-14981-09-00 | BODY, float chamber (1J7-14981-16) | 2 |
| 12 | 584-14142-27-A0 | JET, pilot (#27.5)..... | 2 |
| 13 | 256-14944-27-A0 | JET, main (#135)..... | 2 |
| 14 | 256-14956-01-00 | WASHER | 2 |
| 15 | 1A8-14991-00-00 | SCREW, plug..... | 2 |
| 16 | 97601-04112-00 | SCREW, pan head with washer | 8 |
| 17 | 2F0-14940-00-00 | DIAPHRAGM ASS'Y..... | 2 |
| 18 | 2F0-14116-02-00 | NEEDLE (502-3) | 2 |
| 19 | 2F0-14589-00-00 | SPRING | 2 |
| 20 | 256-14919-00-00 | CLIP | 2 |
| 21 | 2F0-14918-00-00 | RING..... | 2 |
| 22 | 2F3-14946-00-00 | PLATE, needle fitting | 2 |
| 23 | 2F0-14919-00-00 | CLIP | 2 |
| 24 | 2F0-14933-00-00 | SPRING, diaphragm | 2 |



| Ref. No. | Part Number | Description | Qty. |
|----------|-----------------|--|------|
| 25 | 256-14958-00-00 | COVER, diaphragm..... | 2 |
| 26 | 447-14926-00-00 | THROTTLE BRACKET ASS'Y | 1 |
| 27 | 97602-05116-00 | SCREW, pan head with washer (97601-05116)..... | 4 |
| 28 | 97601-05114-00 | SCREW, pan head with washer..... | 4 |
| 29 | 2F0-14907-00-00 | BODY, starter left..... | 1 |
| 30 | 1A8-14907-00-00 | BODY, starter right..... | 1 |
| 31 | 447-14979-00-00 | GASKET, starter body..... | 2 |
| 32 | 97601-04112-00 | SCREW, pan head with washer..... | 6 |
| 33 | 584-14171-00-00 | PLUNGER, starter..... | 2 |
| 34 | 256-14135-00-00 | SPRING, plunger..... | 2 |
| 35 | 256-14954-00-00 | WASHER..... | 2 |
| 36 | 584-14176-00-00 | CAP, plunger..... | 2 |
| 37 | 306-14173-00-00 | COVER, plunger cap..... | 2 |
| 38 | 2F0-14134-00-00 | SPRING, air adjusting..... | 2 |
| 39 | 2F0-14923-00-00 | SCREW, pilot..... | 2 |
| 40 | 584-14969-00-00 | CAP, pilot screw..... | 2 |
| 41 | 256-14922-01-00 | SCREW, throttle stop..... | 2 |
| 42 | 256-14934-01-00 | SPRING, throttle stop..... | 2 |
| 43 | 341-14991-00-00 | PLUG, screw..... | 2 |
| 44 | 584-14956-00-00 | WASHER, plug screw..... | 2 |
| 45 | 584-14931-00-00 | SPRING, throttle left..... | 1 |
| 46 | 306-14964-00-00 | LEVER, throttle left..... | 1 |
| 47 | 92903-08100-00 | WASHER, spring..... | 2 |
| | 92903-08100-00 | WASHER, spring (92902-08100)..... | 2 |
| 48 | 95303-08600-00 | NUT, hexagon (98803-08100)..... | 2 |
| 49 | 306-14970-00-00 | COLLAR, spring..... | 1 |

| CARBURETOR - Mfr./Type/I.D. Number | Mikuni / BS38 / 2F000 |
|-------------------------------------|-----------------------|
| Main Jet/Pilot Jet | 135 / 27.5 |
| Needle Jet/Jet Needle-Clip Position | Z-2 / 502-3 |
| Slide Cutaway or Throttle Valve | 120 |
| Float Level | 24 ± 1mm |
| Idle rpm | 1200 rpm |
| CO % @ Idle (Diagnostic Use Only) | 3 ± 2% |



| Ref. No. | Part Number | Description | Qty. |
|----------|-----------------|--------------------------------------|------|
| 50 | 584-14934-00-00 | .. SPRING, adjusting | 1 |
| 51 | 584-14992-00-00 | .. ROD, push | 1 |
| 52 | 584-14937-00-00 | .. CLIP, push rod. | 1 |
| 53 | 256-14918-00-00 | .. RING | 1 |
| 54 | 584-14955-00-00 | .. WASHER, starter lever | 1 |
| 55 | 306-14905-02-00 | .. LEVER ASS'Y | 1 |
| 56 | 256-14952-00-00 | .. WASHER | 1 |
| 57 | 97601-04112-00 | .. SCREW, pan head with washer | 1 |
| 58 | 584-14938-00-00 | .. SPRING, starter lever | 1 |
| 59 | 97601-04106-00 | .. SCREW, pan head with washer | 1 |
| 60 | 584-14243-00-00 | .. PLATE, upper | 1 |
| 61 | 2F0-14977-00-00 | .. SHAFT, starter lever | 1 |
| 62 | 2F0-14905-00-00 | .. LEVER, starter 2. | 2 |
| 63 | 584-14991-00-00 | .. SCREW, starter lever 2. | 2 |
| 64 | 584-14146-00-00 | .. PLATE, lower | 1 |
| 65 | 97601-06114-00 | .. SCREW, pan head with washer | 4 |
| 66 | 306-14988-00-00 | .. HOSE | 1 |
| 67 | 341-14919-00-00 | .. CLIP | 2 |