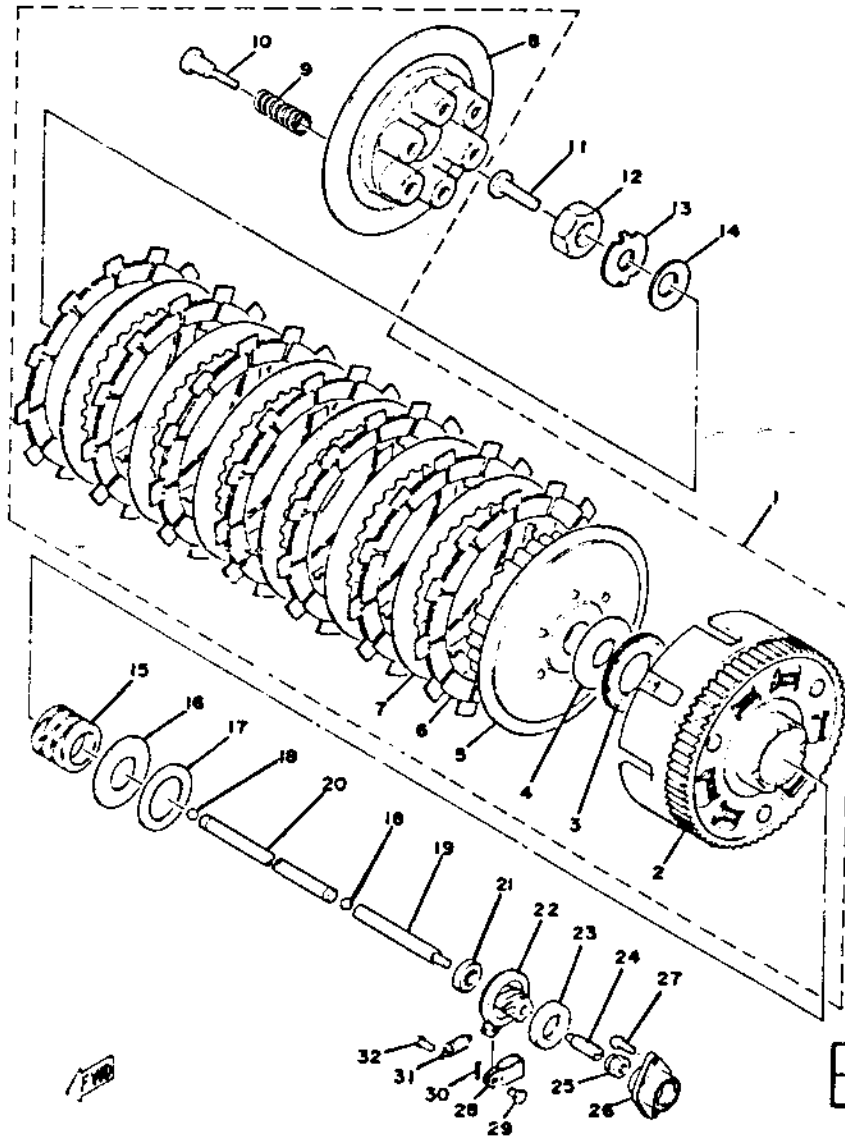


Ref. No.	Part Number	Description	Qty.
1	447-16301-02-00	CLUTCH ASS'Y.....	1
2	256-16150-02-00	PRIMARY DRIVEN GEAR COMP. (72T).....	1
3	93341-23504-00	BEARING.....	1
4	170-16164-00-00	PLATE, thrust 2 (25-50-2).....	1
5	341-16371-02-00	BOSS, clutch.....	1
6	341-16321-13-00	PLATE, friction 1.....	7
7	341-16325-01-00	PLATE, clutch.....	6
8	341-16351-01-00	PLATE, pressure.....	1
9	90501-26148-00	SPRING, compression.....	6
10	90149-03102-00	SCREW.....	6
11	256-16356-00-00	ROD, push 1.....	1
12	90170-18221-00	NUT.....	1
13	90215-19139-00	WASHER, lock.....	1
14	90208-18025-00	WASHER, conical spring.....	1
15	90560-25131-00	SPACER (256-16181-01).....	1
16	170-16164-00-00	PLATE, thrust 2 (25-50-2).....	1
17	90201-25290-00	WASHER, plate (131-15653-00)	1

Clutch Friction Plate Thickness Std ~ Min.	3.0 ~ 2.7mm
Clutch Spring Length Std ~ Min.	34.6 ~ 33.6mm



Ref. No.	Part Number	Description	Qty.
18	93505-16006-00	BALL (5/16 inch) .....	2
19	447-16357-01-00	ROD, push 2 (447-16357-00) ...	1
20	341-16376-00-00	ROD, push 3 .....	1
21	93102-08206-00	OIL SEAL (SD-8-25-6) (93102-08118) .....	1
22	447-16340-00-00	PUSH LEVER ASS'Y .....	1
23	214-16347-01-00	SEAL, dust .....	1
24	90113-08021-00	BOLT (256-16343-01) .....	1
25	90179-08179-00	NUT .....	1
26	256-16396-01-00	HOUSING, push screw .....	1
27	98503-05012-00	SCREW, pan head (98501-05012) .....	2
28	214-16389-00-00	JOINT .....	1
29	90240-06005-00	PIN (214-16379-00) .....	1
30	91401-10010-00	PIN, cotter .....	1
31	90506-10023-00	SPRING (168-16345-00) .....	1
32	132-16346-00-00	HOOK, spring .....	1

Clutch Friction Plate Thickness Std ~ Min.	3.0 ~ 2.7mm
Clutch Spring Length Std ~ Min.	34.6 ~ 33.6mm