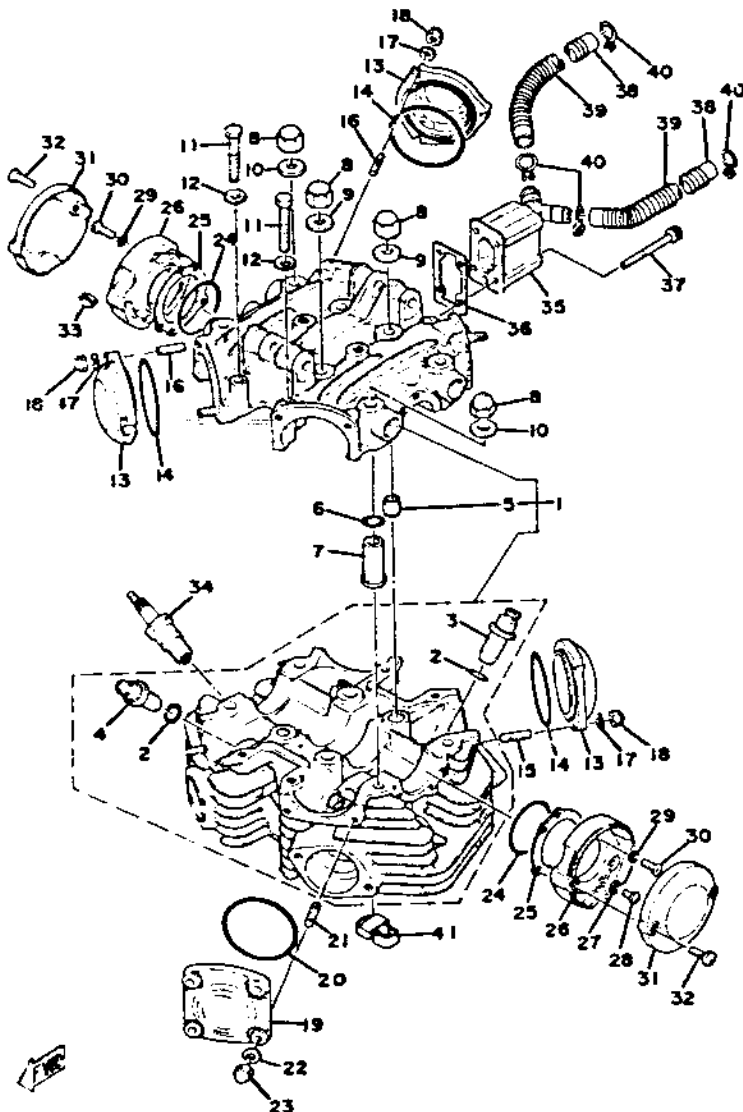


No.	Number	Description	Qty.
1	2F0-11110-00-00	CYLINDER HEAD ASS'Y	1
2	93210-15151-00	. O-RING (1.5-4.5)	4
3	341-11133-11-00	. GUIDE, intake valve (1st O.S)	2
4	341-11134-11-00	. GUIDE, exhaust valve (1st O.S)	2
5	91830-24016-00	. PIN, dowel (12.3-15-16) (91800-16016)	2
6	93210-12152-00	O-RING (1.8-11.5).....	4
7	256-11199-00-00	SLEEVE, cylinder head cover....	4
8	90176-10008-00	NUT (256-11171-00)	8
9	90201-10131-00	WASHER (256-11174-00).....	4
10	90210-10004-00	WASHER, seal (256-11173-02)	4
11	97321-08060-00	BOLT, hexagon	4
* 3G1-W0001-00-XX GASKET KIT, top end			
12	92903-08200-00	WASHER, plain (92901-08200)	4
13	447-11186-00-00	COVER, cylinder head side 1 ...	3
14	93210-62451-00	O-RING (2.8-62) (93210-62304)	3
15	90116-06017-00	BOLT, stud (256-11179-00).....	3
16	90116-06238-00	BOLT, stud.....	6
17	92903-06600-00	WASHER, plate	9
18	95303-06800-00	NUT, crown	9
19	447-11185-00-00	COVER, cylinder head side 3 ...	1
20	93210-62451-00	O-RING (2.8-62) (93210-62304)	1
21	90116-08150-00	BOLT, stud (802-13558-00).....	4
22	92901-08600-00	WASHER, plate	4

*Indicates new part numbers activated from March, 1982.

Spark Plug Type	NGK-BP7ES or Champion-N-7Y
Spark Plug Gap / Torque / Cap Ω	0.7 ~ 0.8mm / 2.0 m·kg / 10K Ω
TORQUE VALUES	
Cylinder Head:	8 x 1.0: 0.9 m·kg 8 x 1.25: 2.1 m·kg
	Cap Nut 10 x 1.25: 3.7 m·kg



Ref. No.	Part Number	Description	Qty.
23	95303-08800-00	NUT, crown	4
24	93210-45150-00	O-RING (2.3-45)	2
25	256-11148-00-00	GASKET, breaker cover	2
26	256-11157-03-00	COVER, breaker 1.....	2
27	92903-06200-00	WASHER, plain	2
28	97801-06014-00	SCREW, pan head.....	2
29	92903-06500-00	WASHER, tooth (92901-06500)	6
30	92701-06015-00	SCREW, flat head.....	6
31	256-11158-01-00	COVER, breaker 2.....	2
32	91903-06020-00	SCREW, bind (98903-06020) ...	4
* 3G1-W0001-00-XX GASKET KIT, top end			
33	90338-12044-00	PLUG, blind (256-11159-00)....	1
*34	NGK-BP7ES-00-00	PLUG, spark (94701-00117)	2
	CMP-N7Y00-00-00	PLUG, spark (94701-00135)	2
35	584-11108-00-00	BREATHER COVER ASS'Y	1
36	256-11169-01-00	GASKET, breather cover.....	1
37	91316-06050-00	BOLT, hexagon socket head	4
38	584-11166-00-00	PIPE, breather 1	2
39	90501-08046-00	SPRING, compression (256-14474-00)	2
40	90467-14011-00	CLIP, pipe (256-11189-00)	4
41	447-11135-00-00	PLATE, breather 3.....	1

*Indicates new part numbers activated from March, 1982.

Spark Plug Type	NGK-BP7ES or Champion-N-7Y
Spark Plug Gap / Torque / Gap Ω	0.7 ~ 0.8mm / 20 mkg / 10K Ω