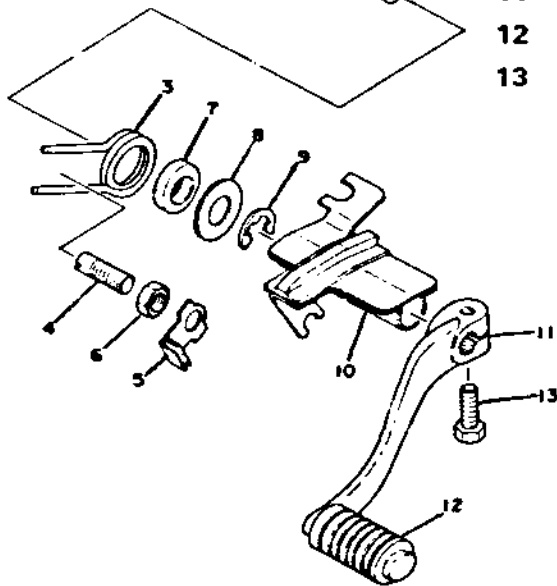
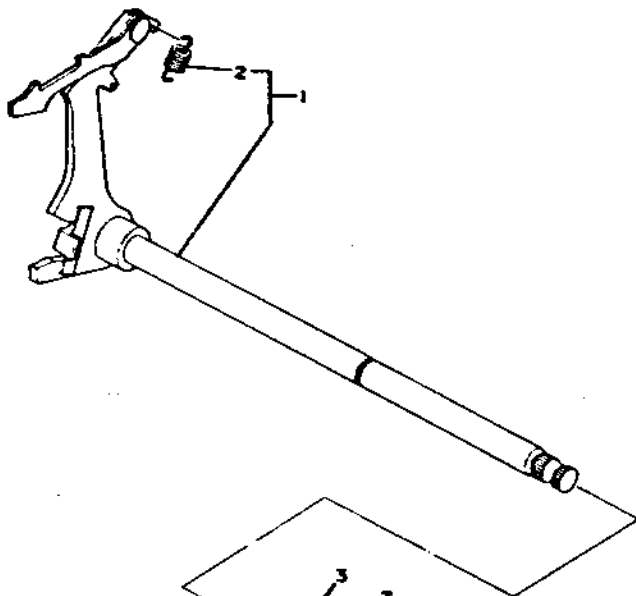


| Ref. No. | Part Number     | Description                              | Qty. |
|----------|-----------------|--|------|
| 1        | 306-18540-00-00 | SHIFT CAM ASS'Y.....                     | 1    |
| 2        | 93604-10011-00  | . PIN, dowel .....                       | 2    |
| 3        | 306-18546-00-00 | . CAM, shift 2.....                      | 1    |
| 4        | 93604-14012-00  | . PIN, dowel (4-13.8).....               | 4    |
| 5        | 168-18561-00-00 | . PLATE, side.....                       | 1    |
| 6        | 93603-14026-00  | . PIN, dowel (3-14).....                 | 1    |
| 7        | 92901-05300-00  | . WASHER, tooth .....                    | 1    |
| 8        | 98501-05046-00  | . SCREW, pan head<br>(98501-05045) ..... | 1    |
| 9        | 93320-31501-00  | BEARING .....                            | 1    |
| 10       | 256-18511-00-00 | SHIFT FORK, 5th gear wheel ...           | 1    |
| 11       | 256-18512-00-00 | SHIFT FORK, 3rd pinion gear ...          | 1    |
| 12       | 256-18513-00-00 | SHIFT FORK, 4th gear wheel ...           | 1    |
| 13       | 90249-08122-00  | PIN .....                                | 3    |
| 14       | 91401-25025-00  | PIN, cotter .....                        | 3    |
| 15       | 256-18531-00-00 | BAR, shift fork guide .....              | 1    |
| 16       | 137-18547-00-00 | STOPPER, cam (136-18547-00)              | 1    |
| 17       | 90501-10068-00  | SPRING (306-18558-00) .....              | 1    |
| 18       | 90430-16047-00  | GASKET (256-18567-00).....               | 1    |
| 19       | 90109-16392-00  | BOLT .....                               | 1    |
| 20       | 341-18140-00-00 | STOPPER LEVER ASS'Y .....                | 1    |
| 21       | 90109-06181-00  | BOLT (256-18177-00).....                 | 1    |
| 22       | 256-18562-00-00 | PLATE, stopper .....                     | 1    |
| 23       | 256-18565-00-00 | PLATE, screw lock .....                  | 1    |
| 24       | 90101-06091-00  | BOLT (341-18594-00).....                 | 2    |
| 25       | 90506-10022-00  | SPRING, tension (256-18143-02)           | 1    |



| No. | Number          | Description                  | Qty. |
|-----|-----------------|------------------------------|------|
| 1   | 256-18101-02-00 | SHIFT SHAFT ASS'Y .....      | 1    |
| 2   | 90506-08007-00  | . SPRING (168-18123-00)..... | 1    |
| 3   | 90508-32053-00  | SPRING (168-18124-00) .....  | 1    |
| 4   | 90149-10018-00  | SCREW (168-18133-00) .....   | 1    |
| 5   | 90215-10105-00  | WASHER, lock (306-18139-00)  | 1    |
| 6   | 90170-10038-00  | NUT, hexagon .....           | 1    |
| 7   | 93109-14010-00  | OIL SEAL (SDD-14-24-6).....  | 1    |
| 8   | 90201-14220-00  | WASHER, plate (248-18137-00) | 1    |
| 9   | 93430-12009-00  | CIRCLIP (E-12) .....         | 1    |
| 10  | 447-17467-02-00 | GUIDE, chain.....            | 1    |
| 11  | 1J7-18111-01-93 | PEDAL, shift.....            | 1    |
| 12  | 132-18113-01-00 | COVER, shift pedal.....      | 1    |
| 13  | 97321-06020-00  | BOLT, hexagon .....          | 1    |