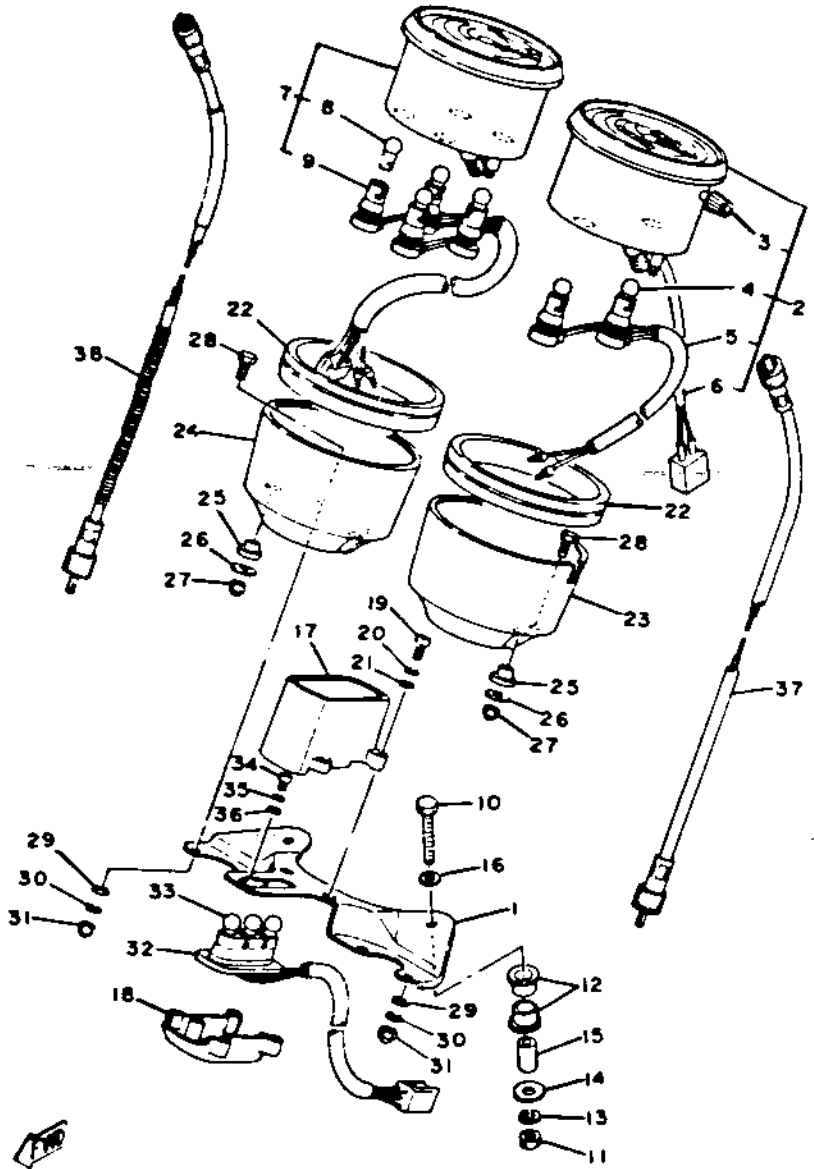


No.	Number	Description	Qty.
1	2M0-83519-00-00	BRACKET, meter	1
2	3G0-83570-A0-00	SPEEDOMETER ASS'Y	1
3	584-83578-71-00	. KNOB, trip meter	1
4	123-83516-21-00	. BULB (12V-3.4W).	2
5	3G0-83536-00-00	. SOCKET, meter.	1
6	2J2-83556-00-00	. SENDER	1
7	3G0-83540-A0-00	TACHOMETER ASS'Y	1
8	123-83516-21-00	. BULB (12V-3.4W).	4
9	3G0-83520-00-00	. SOCKET ASS'Y.	1
10	97306-06040-00	BOLT	2
11	95301-06600-00	NUT	2
12	584-83541-00-00	DAMPER	4
13	92903-06100-00	WASHER, spring (92901-06100)	2
14	90201-06067-00	WASHER, plate	2
15	90387-06249-00	COLLAR	2
16	92906-06600-00	WASHER, plate	2
17	2M0-83568-00-00	PILOT BOX, upper	1
18	2G2-83569-A0-00	PILOT BOX, lower	1
19	98506-04012-00	SCREW, pan head	4
20	92906-04100-00	WASHER, spring	4



Ref. No.	Part Number	Description	Qty.
21	92906-04600-00	WASHER, plate .....	4
22	3H3-83513-00-00	DAMPER .....	2
23	2J2-83507-00-00	COVER, speedometer .....	1
24	2J2-83508-00-00	COVER, tachometer .....	1
25	584-83523-00-00	DAMPER .....	4
26	90201-05031-00	WASHER, plate .....	4
27	95301-05800-00	NUT, crown .....	4
28	584-83546-00-00	BOLT .....	4
29	92903-06200-00	WASHER, plain (92901-06200)	4
30	92903-06100-00	WASHER, spring (92901-06100)	4
31	95301-06800-00	NUT, crown .....	4
32	2G2-83509-A0-00	SOCKET CORD ASS'Y .....	1
33	123-83516-21-00	BULB (12V-3.4W) .....	3
34	92503-04008-00	SCREW, pan head (92501-04008)	1
35	92901-04100-00	WASHER, spring .....	1
36	92901-04600-00	WASHER, plate .....	1
37	341-83550-01-00	SPEEDOMETER CABLE ASS'Y	1
38	447-83560-01-00	TACHOMETER CABLE ASS'Y ...	1