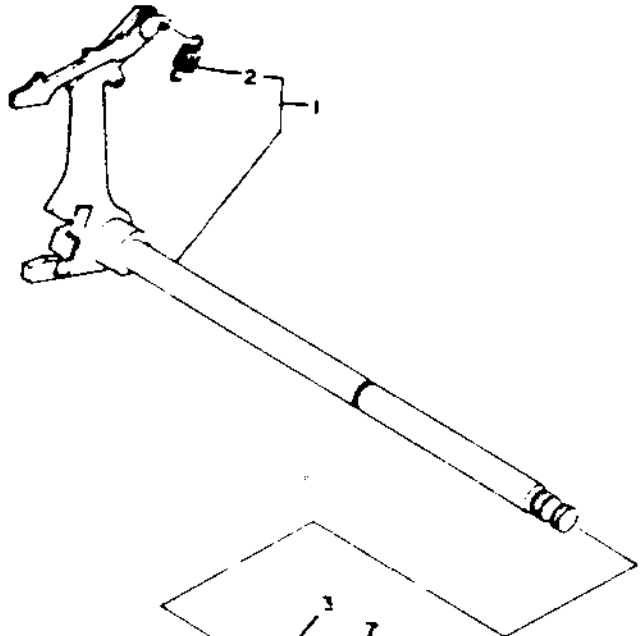


1	306-18540-00-00	SHIFT CAM ASS'Y	1
2	306-18546-00-00	. CAM, shift 2	1
3	93604-10011-00	. PIN, dowel	2
4	93604-14012-00	. PIN, dowel	4
5	93603-14026-00	. PIN, dowel	1
6	168-18561-00-00	. PLATE, side 1	1
7	92901-05300-00	. WASHER, internal tooth	1
8	98501-05046-00	. SCREW, pan head	1
9	256-18511-00-00	FORK, shift 1	1
10	256-18512-00-00	FORK, shift 2	1
11	256-18513-00-00	FORK, shift 3	1
12	90249-08122-00	PIN	3
13	91401-25025-00	PIN, cotter	3
14	256-18531-00-00	BAR, shift fork guide 1	1
15	93320-31501-00	BEARING	1
16	256-18562-00-00	PLATE, stopper 2	1
17	256-18565-00-00	PLATE, lock screw	1
18	90101-06091-00	BOLT	2
19	341-18140-00-00	STOPPER LEVER ASS'Y	1
20	90109-06181-00	BOLT	1
21	90506-10022-00	SPRING, tension	1
22	137-18547-00-00	STOPPER, cam (136-18547-00)	1
23	90501-10068-00	SPRING, compression	1
24	90430-16047-00	GASKET	1
25	90109-16392-00	BOLT	1



1	256-18101-02-00	SHIFT SHAFT ASS'Y	1
2	90506-08007-00	. SPRING, tension	1
3	90508-32053-00	SPRING, torsion	1
4	90149-10018-00	SCREW	1
5	90215-10105-00	WASHER, lock	1
6	90170-10038-00	NUT	1
7	93109-14010-00	OIL SEAL	1
8	90201-14220-00	WASHER, plate	1
9	93430-12009-00	CIRCLIP	1
*10	1J7-18111-01-00	PEDAL, shift (1J7-18111-01-93)	1
11	132-18113-01-00	COVER, shift pedal	1
12	97321-06020-00	BOLT	1

*Indicates new part numbers activated from March, 1981.

