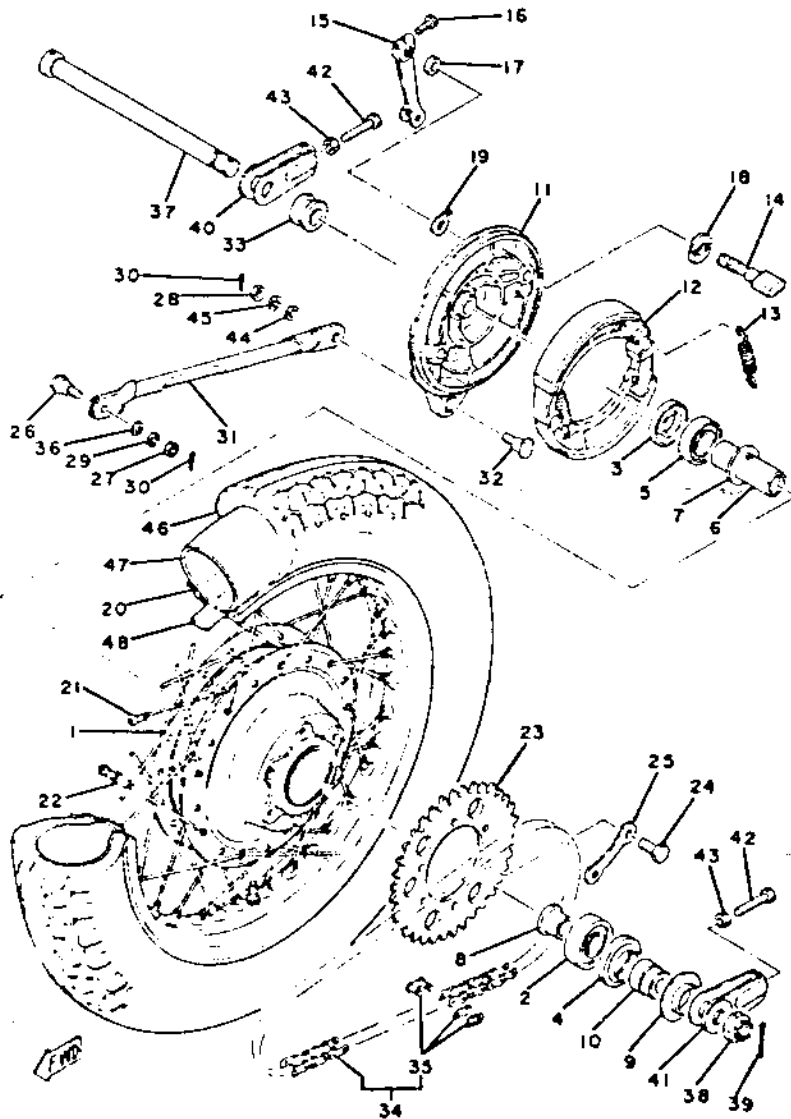


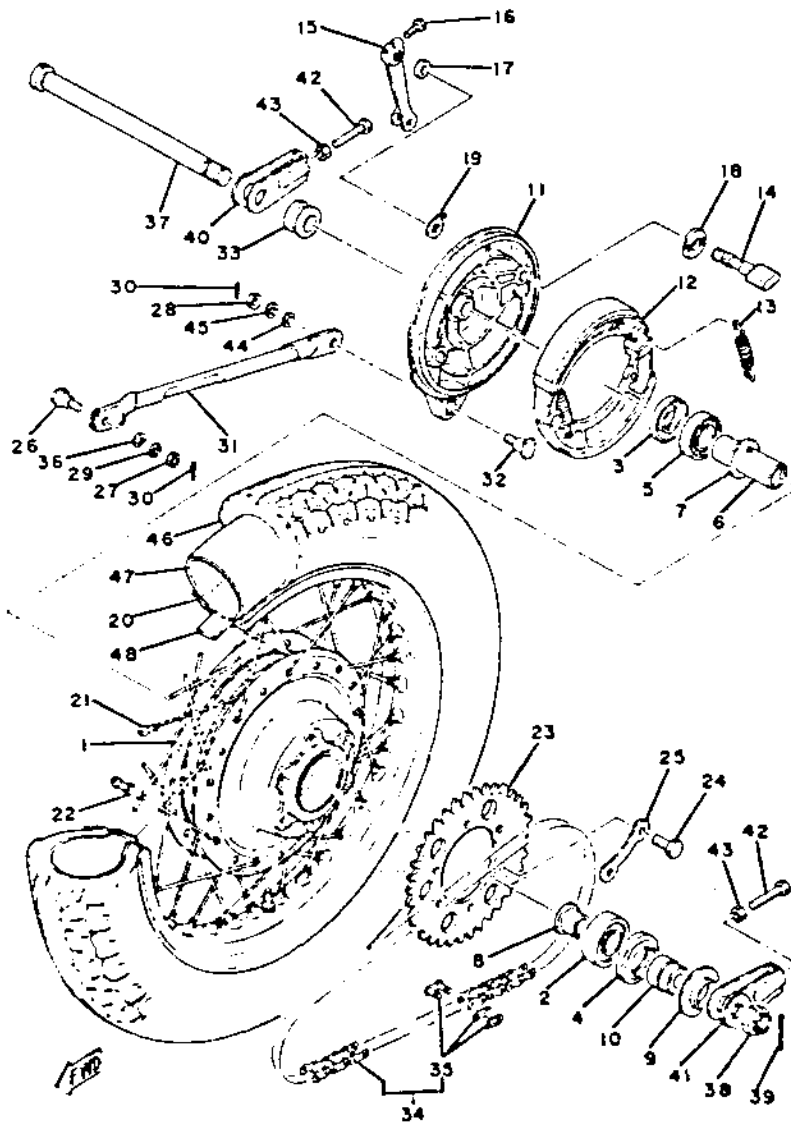
REAR WHEEL



Ref. No.	Part Number	Description	Qty.
1	256-25311-00-00	HUB, rear	1
2	93306-30507-00	BEARING (B6305Z)	1
3	93104-27026-00	OIL SEAL	1
4	93102-35065-00	OIL SEAL	1
5	93306-30404-00	BEARING (B6304Z)	1
6	90560-20135-00	SPACER	1
7	256-25315-00-00	FLANGE, spacer	1
8	90387-20166-00	COLLAR	1
9	256-25367-00-00	COVER, hub dust	1
10	90387-20176-00	COLLAR	1
11	4M4-25321-00-98	PLATE, brake shoe (4M4-25321-00)	1
12	447-25330-01-00	BRAKE SHOE COMP.	2
13	90507-20002-00	SPRING, tension	2
14	4H7-25351-00-00	CAMSHAFT	1
15	341-25355-00-00	LEVER, camshaft	1
16	90101-06291-00	BOLT	1
17	148-25359-00-00	SEAL, camshaft	1
18	90201-14577-00	WASHER, plate	2
19	4H7-2533A-02-00	PLATE, indicator	1
20	94427-16226-00	RIM (2.75-16)	1
21	3G0-25304-00-00	SPOKE SET, rear	1
22	156-25398-00-00	BALANCER, wheel	1
23	256-25434-20-33	SPROCKET, driven (34T)	1
24	90105-10007-00	BOLT, washer based	6

Minimum Brake Lining Thickness	Front: 6.0mm	Rear: 2.0mm
Tire Size (Nominal Pressure)	F:2.95S19X1.8kg/cm ² /72 psi R:1.38/16-16 8PSZ.8kg/cm ² /72 psi	
Rear Axle Nut	18 x 1.5: 15.0 m-kg	
Rear Axle Pinch Bolt	ø	

REAR WHEEL



Ref. No.	Part Number	Description	Qty.
25	256-25412-00-00	WASHER	3
26	90109-08374-00	BOLT.....	1
27	95301-08700-00	NUT.....	1
28	90170-08158-00	NUT.....	1
29	92903-08100-00	WASHER, spring (92901-08100)	1
30	91401-20015-00	PIN, cotter	2
31	2M1-25371-00-00	BAR, tension	1
32	90109-08338-00	BOLT.....	1
33	90387-20444-00	COLLAR	1
34	94580-05104-00	CHAIN (50HDS-104L).....	1
35	94680-05011-00	. CHAIN JOINT (50HDS).....	1
36	92901-08600-00	WASHER, plate	1
37	341-25381-00-00	AXLE, wheel.....	1
38	90171-18008-00	NUT, castle	1
39	91401-40035-00	PIN, cotter	1
40	3N0-25388-00-00	PULLER, chain 1	1
41	3N0-25389-00-00	PULLER, chain 2	1
42	90101-08034-00	BOLT.....	2
43	90170-08158-00	NUT.....	2
44	92901-08600-00	WASHER, plate	1
45	92903-08100-00	WASHER, spring (92901-08100)	1
46	94113-16432-00	TIRE (130/90-16)	1
47	94213-16135-00	TUBE (130/90-16).....	1
48	94313-16091-00	BAND, rim (130/90-16)	1

Minimum Brake Lining Thickness

Front: 6.0mm

Rear: 2.0mm

Tire Size (Nominal Pressure)

F: 130/90-16 122 psi R: 130/90-16 105 psi

Rear Axle Nut

18 x 1.5: 15.0 m-kg

Rear Axle Pinch Bolt

Ø