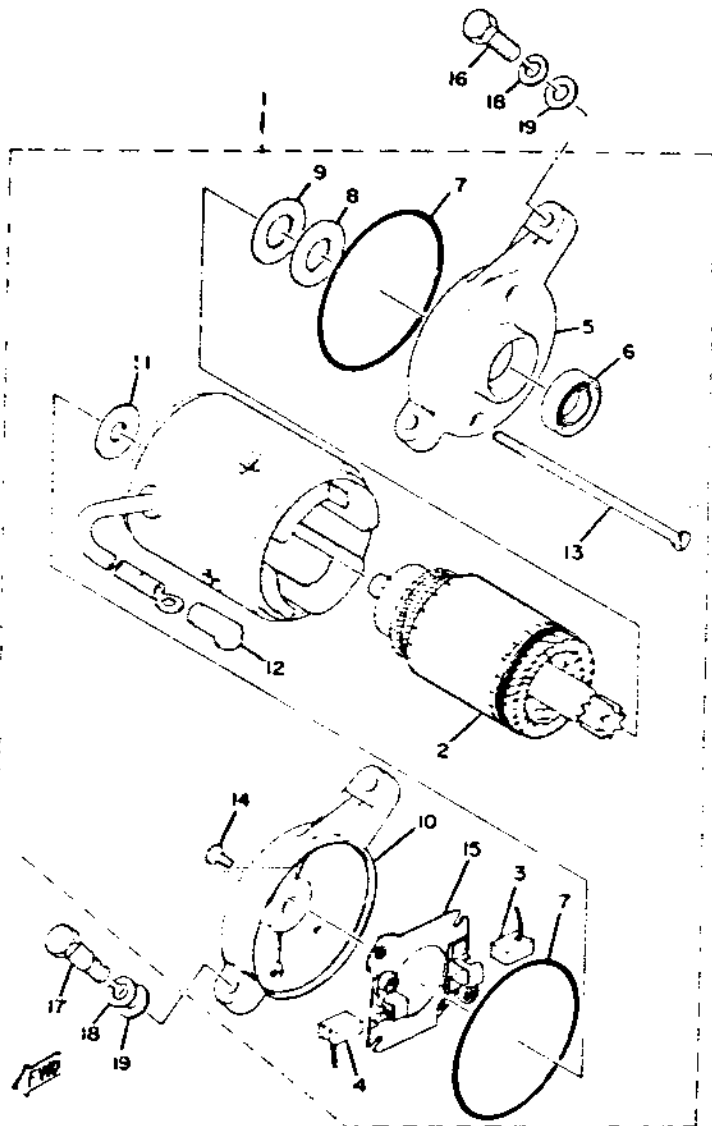


STARTER MOTOR



Ref. No.	Part Number	Description	Qty.
1	306-81800-12-00	STARTING MOTOR ASS'Y	1
2	306-81850-11-00	. ARMATURE ASS'Y	1
3	306-81811-10-00	. BRUSH 1.....	1
4	306-81812-10-00	. BRUSH 2.....	1
5	306-81825-10-00	. COVER, starting motor 1.....	1
6	93101-17047-00	. OIL SEAL.....	1
7	306-81827-10-00	. O-RING	2
8	306-81893-10-00	. WASHER, special.....	1
9	306-81828-10-00	. WASHER, thrust 1.....	1
10	306-81826-10-00	. COVER, starting motor 2.....	1
11	306-81829-10-00	. WASHER, thrust 2.....	2
12	306-81862-10-00	. CAP	1
13	306-81823-10-00	. SCREW, flat head.....	2
14	98701-04010-00	. SCREW, flat head.....	2
15	306-81840-10-00	. BRUSH HOLDER ASS'Y	1
16	90109-08393-00	BOLT.....	2
17	97321-08035-00	BOLT.....	2
18	92903-08100-00	WASHER, spring (92901-08100)	4
19	92903-08200-00	WASHER, plain (92901-08200)	4