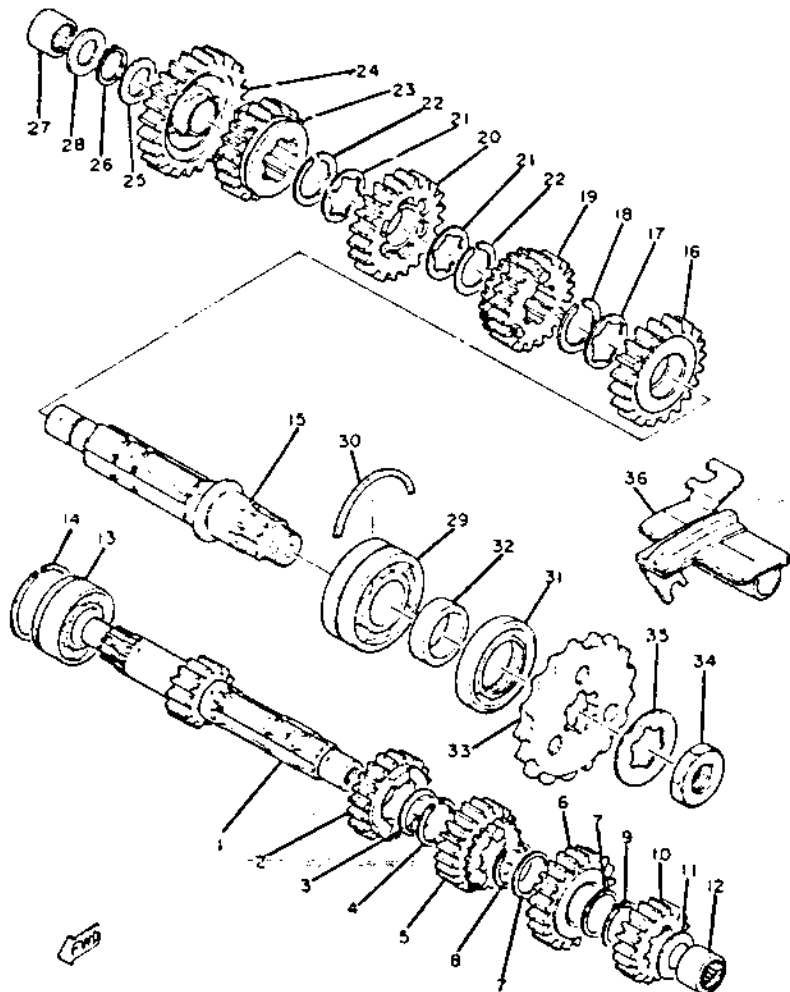


# TRANSMISSION

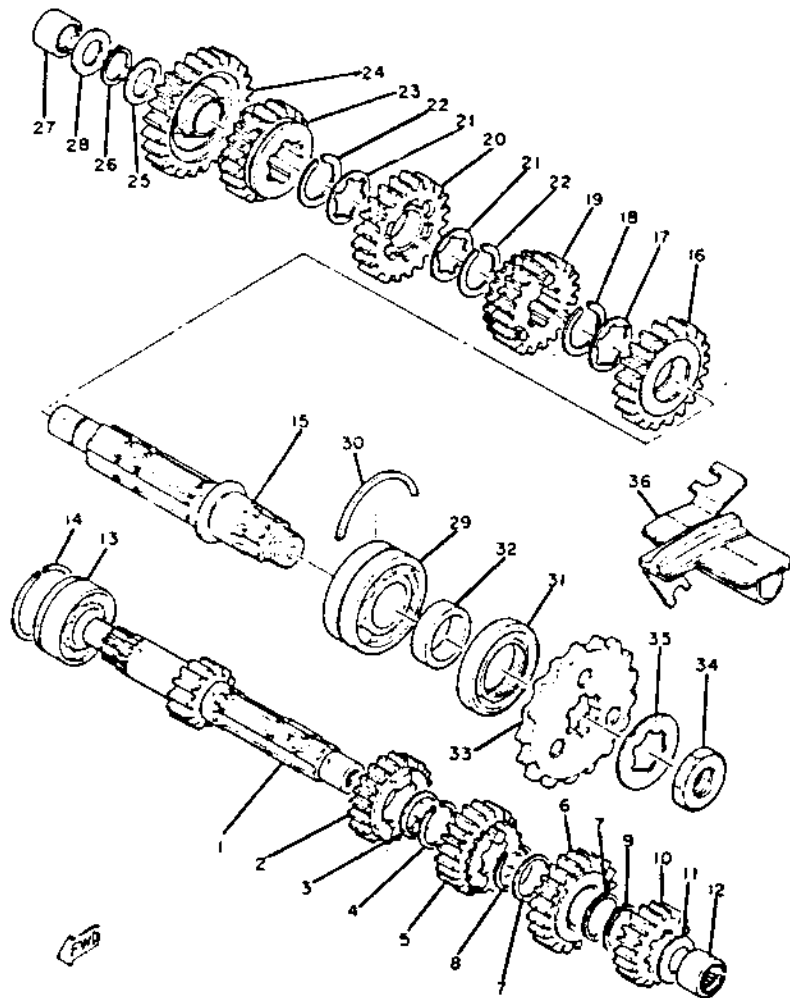


Ref. No.	Part Number	Description	Qty.
1	306-17411-03-00	AXLE, main (13T) (306-17411-02)	1
2	256-17141-02-00	GEAR, 4th pinion (21T).....	1
3	90201-25287-00	WASHER, plate.....	1
4	93440-25020-00	CIRCLIP.....	1
5	256-17131-04-00	GEAR, 3rd pinion (20T).....	1
6	341-17151-04-00	GEAR, 5th pinion (23T).....	1
7	90201-25287-00	WASHER, plate.....	2
8	93440-25020-00	CIRCLIP.....	1
9	93410-25017-00	CIRCLIP.....	1
10	256-17121-01-00	GEAR, 2nd pinion (17T).....	1
11	137-17427-00-09	SHIM (0.9T).....	1
12	93313-32007-00	BEARING, cylindrical.....	1
13	93305-20504-00	BEARING (B5205).....	1
14	93440-52014-00	CIRCLIP.....	1
15	256-17421-02-00	AXLE, drive.....	1
16	256-17221-02-00	GEAR, 2nd wheel (27T).....	1
17	256-17236-00-10	SHIM (1.0T).....	1
	256-17236-00-12	SHIM (1.2T).....	1
18	93440-30015-00	CIRCLIP.....	1

TRANSMISSION - Oil Type/Qty Chg/Qty Reassemble	See ENGINE Lubricant
Primary Drive Type / Teeth / Ratio	Spur Gear / 72-27 / 2.686
Secondary Drive Type / Teeth / Chain	Chain / 34-17 / DID630HDS-104L

Oil Pressure Hot / rpm	ø
Oiling System	Wet Sump
Capacity: Dry	2500cc
Oil and Filter Change	2000cc
Oil Change	2000cc
Lubricant: Temp. above 5°C (40°F)	Yamalube 4* or SAE 20W40 SE
Below 15°C (60°F)	Yamalube 4* or SAE 20W40 SE

# TRANSMISSION



Ref. No.	Part Number	Description	Qty.
19	256-17251-04-00	GEAR, 5th wheel (22T)	1
20	256-17231-04-00	GEAR, 3rd wheel (26T)	1
21	256-17236-00-10	SHIM (1.0T)	2
	256-17236-00-12	SHIM (1.2T)	2
22	93440-30015-00	CIRCLIP	2
23	256-17241-02-00	GEAR, 4th wheel (23T)	1
24	306-17211-00-00	GEAR, 1st wheel (32T)	1
25	90201-20266-00	WASHER, plate	1
26	93410-20021-00	CIRCLIP	1
27	93313-32005-00	BEARING, cylindrical	1
28	137-17427-00-09	SHIM (0.9T)	1
29	93305-20602-00	BEARING (B5206 SPECIAL)	1
30	168-17424-00-00	CIRCLIP 1	1
31	93105-40018-00	OIL SEAL	1
32	90387-30200-00	COLLAR	1
33	256-17461-71-00	SPROCKET, drive (17T)	1
34	90179-22022-00	NUT	1
35	90215-26024-00	WASHER, lock	1
36	447-17467-02-00	GUIDE, chain	1

TRANSMISSION - Oil Type / Qty Chg / Qty Reassemble	See ENGINE Lubricant
Primary Drive Type / Teeth / Ratio	Sour Gear / 72-27 / 2.008
Secondary Drive Type / Teeth / Chain	Chain / 34-17 / DID630HDS