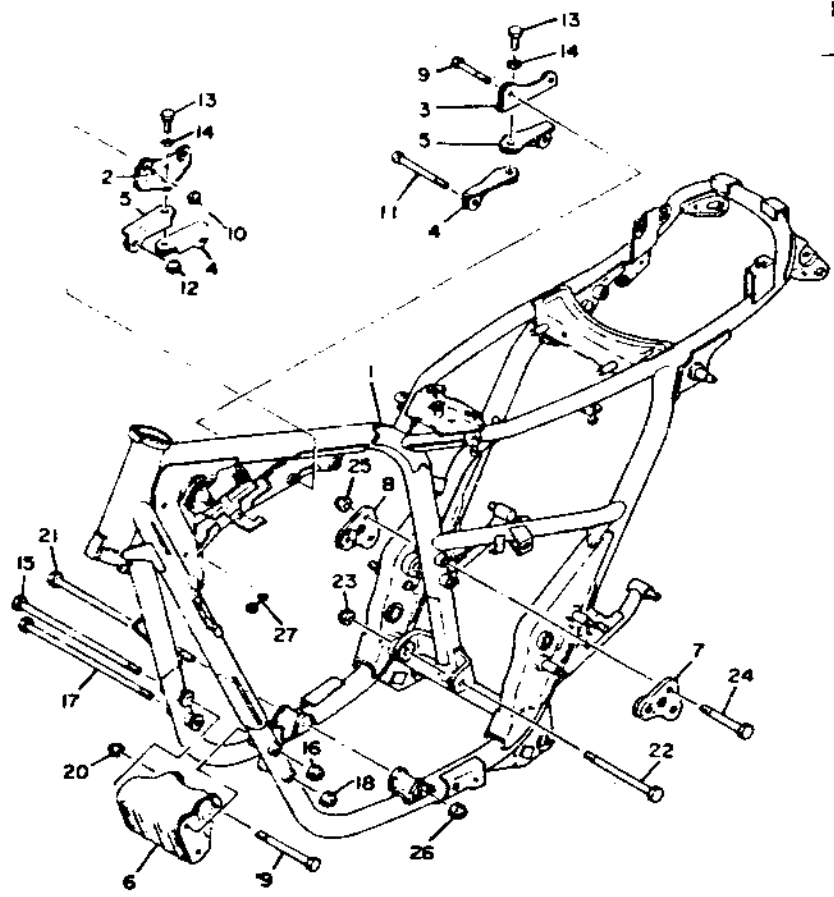


FRAME



Ref. No.	Part Number	Description	Qty.	Remarks
1	4M4-21110-00-98	FRAME COMP.	1	Low Gloss Blk
2	447-21314-00-00	STAY, engine 1	1	
3	447-21315-00-00	STAY, engine 2	1	
4	256-21316-01-00	STAY, engine 3	2	
5	256-21317-01-00	STAY, engine 4	2	
6	447-21318-00-93	STAY, engine front	1	Chrome Plated
7	447-21319-00-00	STAY, engine 6	1	
8	447-21387-00-00	STAY, engine 7	1	
9	95821-08055-00	BOLT, flange.	2	
10	90185-08054-00	NUT, self-locking.	2	
11	95826-08090-00	BOLT, flange.	2	
12	90185-08090-00	NUT, self-locking.	2	
13	95821-10025-00	BOLT, flange.	2	
14	92903-10100-00	WASHER, spring (92901-10100)	2	
15	90105-10043-00	BOLT, washer based.	1	
16	90185-10035-00	NUT, self-locking.	1	
17	90105-10044-00	BOLT, washer based.	1	
18	90185-10035-00	NUT, self-locking.	1	
19	90105-10039-00	BOLT, washer based.	1	
20	90185-10035-00	NUT, self-locking.	1	
21	90106-10029-00	BOLT.	1	
22	90105-10041-00	BOLT, washer based.	1	
23	90185-10035-00	NUT, self-locking.	1	
24	95826-10070-00	BOLT, flange.	3	
25	90185-10091-00	NUT, self-locing.	3	
26	90185-10060-00	NUT, self-locking.	1	
27	90465-20138-00	CLAMP.	1	



MODEL - IBM I.D. NUMBER	XS060SH-B	XS060SH-S	4M4
Initial Engine Number / Frame Number	4M4-000101 / 4M4-000101		
Engine Mounting Bolts: Front	10 x 1.25: 4.6 m-kg		
Engine, Lower	10 x 1.25: 9.0 m-kg		
Rear	10 x 1.25: 4.0 m-kg		
Rear, Lower	10 x 1.25: 4.6 m-kg		
Engine, Upper	8 x 1.25: 1.8 m-kg	10 x 1.25: 3.0 m-kg	