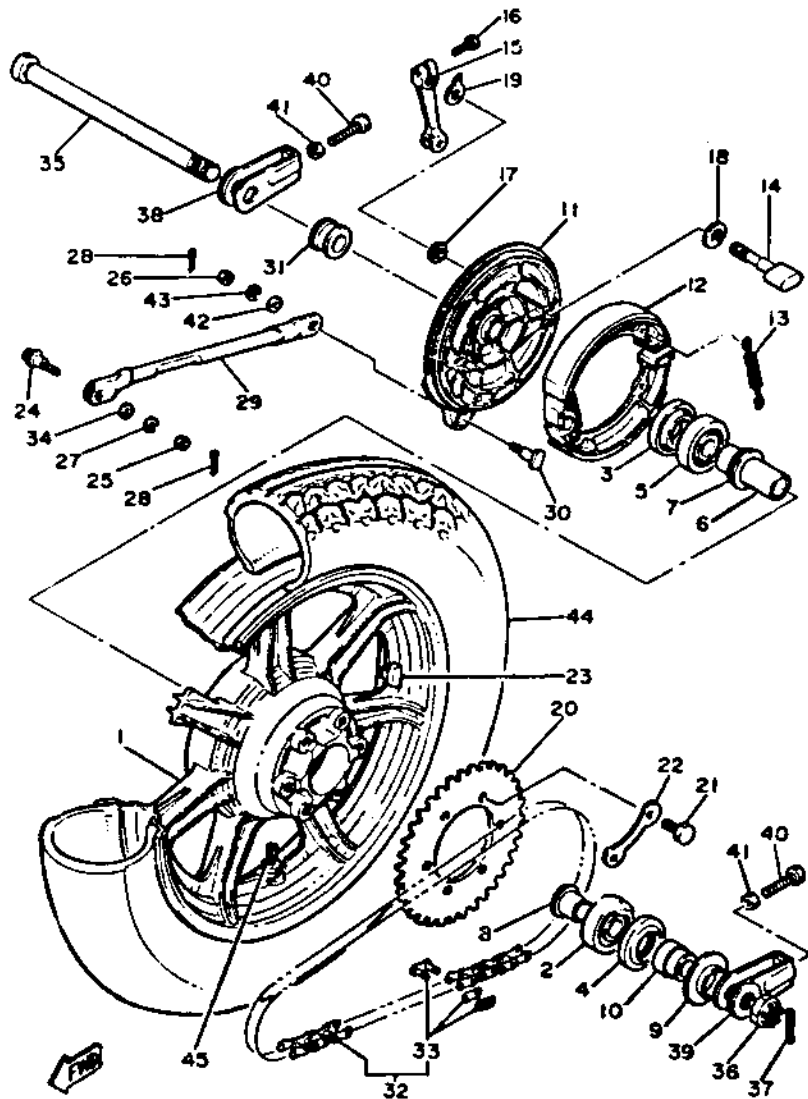


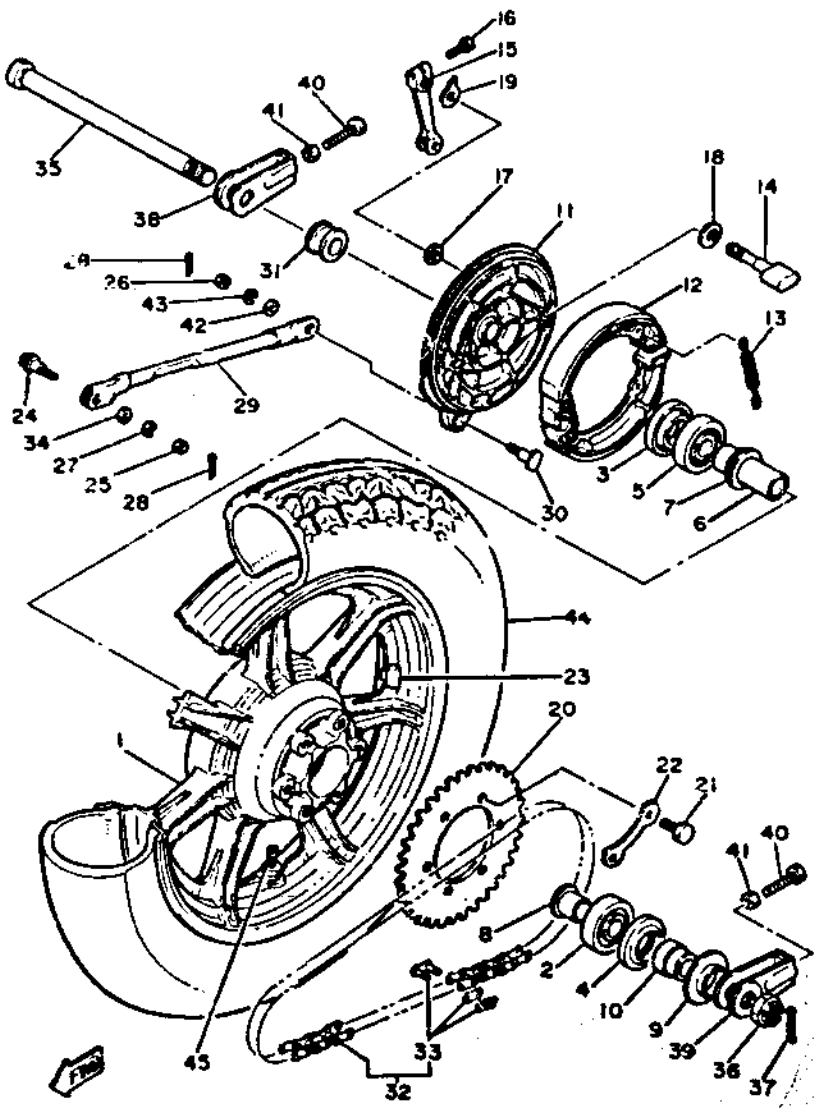
REAR WHEEL



Ref. No.	Part Number	Description	Qty.	Remarks
1	4M4-25338-20-00	CAST WHEEL, rear	1	
2	93306-30522-00	BEARING (B6305ZZ)	1	
3	93104-27026-00	OIL SEAL	1	
4	93102-35065-00	OIL SEAL	1	
5	93306-30417-00	BEARING (B6304ZZ)	1	
6	90560-20135-00	SPACER	1	
7	2H7-25315-00-00	FLANGE, spacer	1	
8	90387-20166-00	COLLAR	1	
9	258-25367-00-00	COVER, hub dust.	1	
10	90387-20176-00	COLLAR	1	
11	4M4-25321-00-98	PLATE, brake shoe	1	Low Gloss Blk
12	447-25330-01-00	BRAKE SHOE COMP	2	
13	90507-20002-00	SPRING, tension	2	
14	4H7-25351-00-00	CAMSHAFT	1	
15	341-25355-00-00	LEVER, camshaft.	1	
16	90101-06291-00	BOLT	1	
17	148-25359-00-00	SEAL, camshaft	1	
18	90201-14577-00	WASHER, plate	2	
19	4M4-2533A-00-00	PLATE, indicator	1	
20	2M0-25434-20-00	SPROCKET, driven (34T)	1	
21	90101-10479-00	BOLT	6	
22	3G1-25412-00-00	WASHER	3	
23	1A1-25399-00-00	BALANCER, wheel (10G)	1	U.N.
	1A1-25398-01-00	BALANCER, wheel (20G)	1	U.N.
	2M0-25399-00-00	BALANCER, wheel (30G)	1	U.N.

Minimum Brake Lining Thickness	Front: 6.0mm	Rear: 6.0mm
Tire Size (Nominal Pressure)	F: 130R19 (1.8 kg/cm ² /22 psi) R: 130R19 475 (2.0 kg/cm ² /28 psi)	
Rear Axle Nut	18 x 1.5: 15.0 m-kp	

REAR WHEEL



Ref. No.	Part Number	Description	Qty.	Remarks
24	90109-08374-00	BOLT.....	1	
25	95301-08700-00	NUT.....	1	
26	90170-08158-00	NUT.....	1	
27	92903-08100-00	WASHER, spring (92901-08100)	1	
28	91401-20015-00	PIN, cotter	2	
29	2M1-25371-00-00	BAR, tension	1	
30	90109-08338-00	BOLT.....	1	
31	90387-20444-00	COLLAR	1	
31	94580-05104-00	CHAIN (50HDS-104L).....	1	
33	94680-05011-00	. CHAIN JOINT (50HDS).....	1	
34	92901-08600-00	WASHER, plate	2	
35	341-25381-00-00	AXLE, wheel.....	1	
36	90171-18008-00	NUT, castle	1	
37	91401-40040-00	PIN, cotter (91401-40035).....	1	
38	341-25388-01-00	PULLER, chain 1	1	
39	341-25389-00-00	PULLER, chain 2	1	
40	90101-08404-00	BOLT.....	2	
41	95303-08700-00	NUT.....	2	
42	92901-08600-00	WASHER, plate.....	1	
43	92903-08100-00	WASHER, spring (92901-08100)	1	
43	94113-16434-00	TIRE (130/90-16)	1	U.R. Dunlop
45	93900-00002-00	VALVE, rim.....	1	U.R. Yokohama
	93900-00003-00	VALVE, rim.....	1	U.R. Dunlop

Minimum Brake Lining Thickness	Front: 6.0mm	Rear: 6.0mm
Tire Size (Nominal Pressure)	F.130/90-16 (1.8 kg/cm ² /22 psi) R.130/90-16 S75 (2.0 kg/cm ² /28 psi)	
Rear Axle Nut	18 x 1.6: 15.0 m-kp	