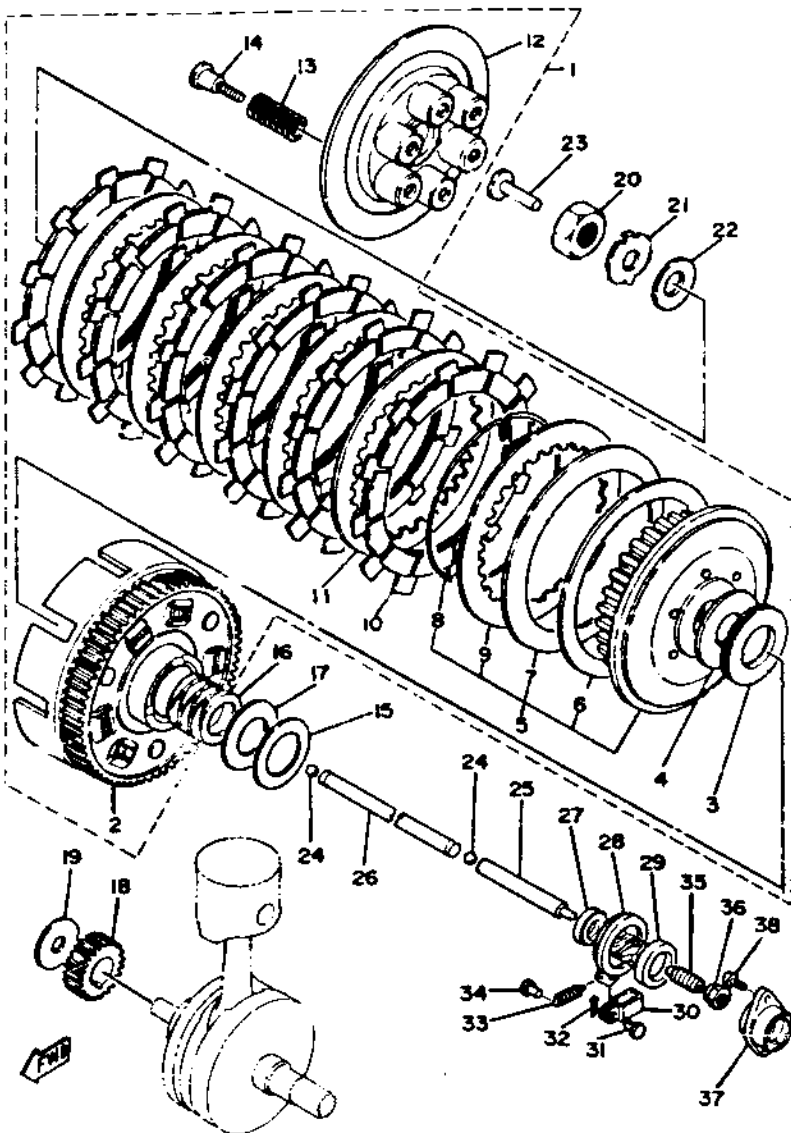


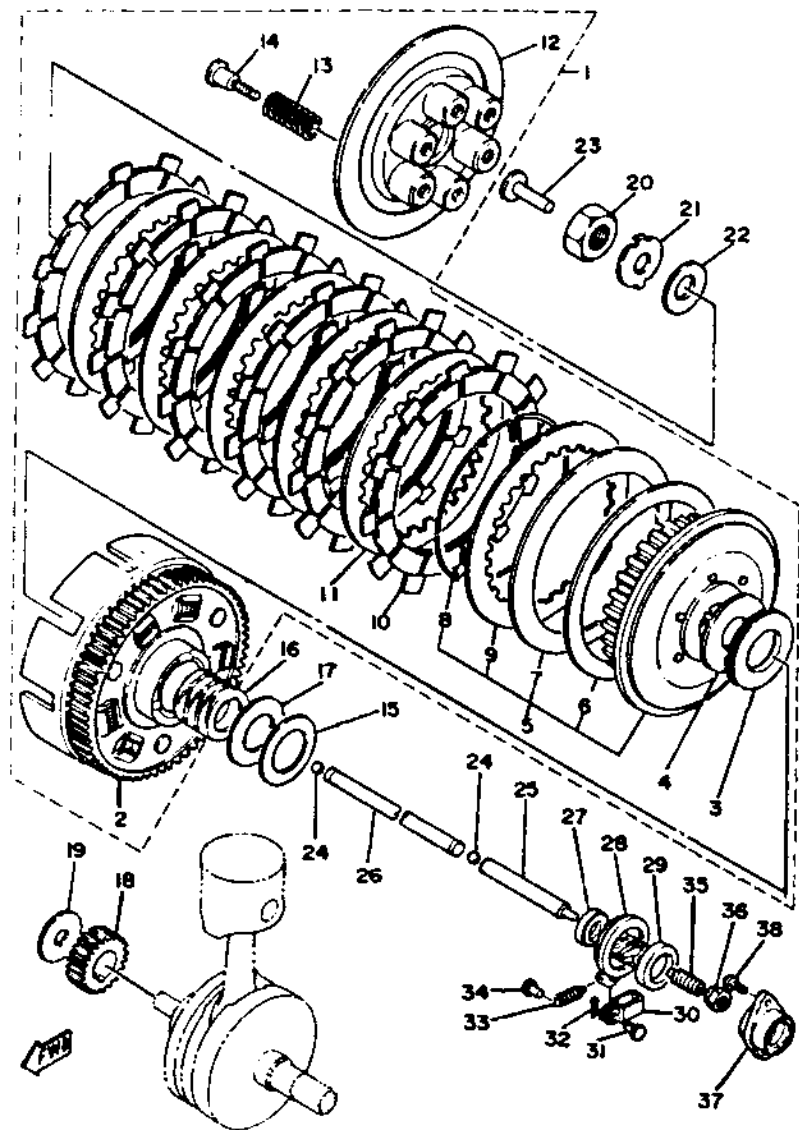
# CLUTCH



Ref. No.	Part Number	Description	Qty.	Rem.
1	1T3-16301-00-00	CLUTCH ASS'Y .....	1	
2	256-16150-02-00	PRIMARY DRIVEN GEAR COMP. ....	1	
3	93341-23504-00	BEARING .....	1	
4	170-16164-00-00	PLATE, thrust 2 .....	1	
5	1T3-16370-00-00	CLUTCH BOSS ASS'Y .....	1	
6	2H7-16384-00-00	PLATE, seat .....	1	
7	2H7-16383-00-00	SPRING, clutch boss .....	1	
8	1T3-16385-00-00	RING, clutch boss .....	1	
9	256-16325-00-00	PLATE, clutch 2 .....	1	
10	341-16321-13-00	PLATE, friction .....	6	
11	341-16325-01-C0	PLATE, clutch 2 .....	5	
12	341-16351-01-00	PLATE, pressure 1 .....	1	
13	90501-23142-00	SPRING, compression .....	6	
14	90149-06102-00	SCREW .....	6	
15	90201-25290-00	WASHER, plate .....	1	
16	90560-26131-00	SPACER .....	1	
17	170-16164-00-00	PLATE, thrust .....	1	
18	256-16111-00-00	GEAR, primary drive (27T) .....	1	
19	90201-16579-00	WASHER, plate .....	1	

Clutch Friction Plate Thickness Std ~ Min	3.0 ~ 2.7mm
Clutch Spring Length Std ~ Min	34.6 ~ 33.6mm
Clutch Nut	18 x 1.0: 8.0 m-kg

# CLUTCH



Ref. No.	Part Number	Description	Qty.	Re
20	90170-18221-00	NUT.....	1	
21	90215-19139-00	WASHER, lock.....	1	
22	90208-18025-00	WASHER, conical spring.....	1	
23	256-16356-00-00	ROD, push 1.....	1	
24	93505-16006-00	BALL.....	2	
25	447-16357-01-00	ROD, push 2.....	1	
26	341-16376-00-00	ROD, push 3.....	1	
27	93102-08206-00	OIL SEAL.....	1	
28	1T3-16340-00-00	PUSH LEVER ASS'Y.....	1	
29	214-16347-01-00	SEAL, dust.....	1	
30	214-16389-00-00	JOINT.....	1	
31	90240-06005-00	PIN, clavis.....	1	
32	91401-10010-00	PIN, cotter.....	1	
33	90506-10023-00	SPRING, tension.....	1	
34	132-16346-00-00	HOOK, spring.....	1	
35	90113-08021-00	BOLT, set.....	1	
36	90179-08179-00	NUT.....	1	
37	256-16396-01-00	HOUSING, push screw.....	1	
38	98503-05012-00	SCREW, panhead (98501-05012)	2	

Clutch Friction Plate Thickness Std ~ Min	3.0 ~ 2.7mm
Clutch Spring Length Std ~ Min	34.6 ~ 33.6mm
Clutch Nut	18 x 1.0: 8.0 m-kg