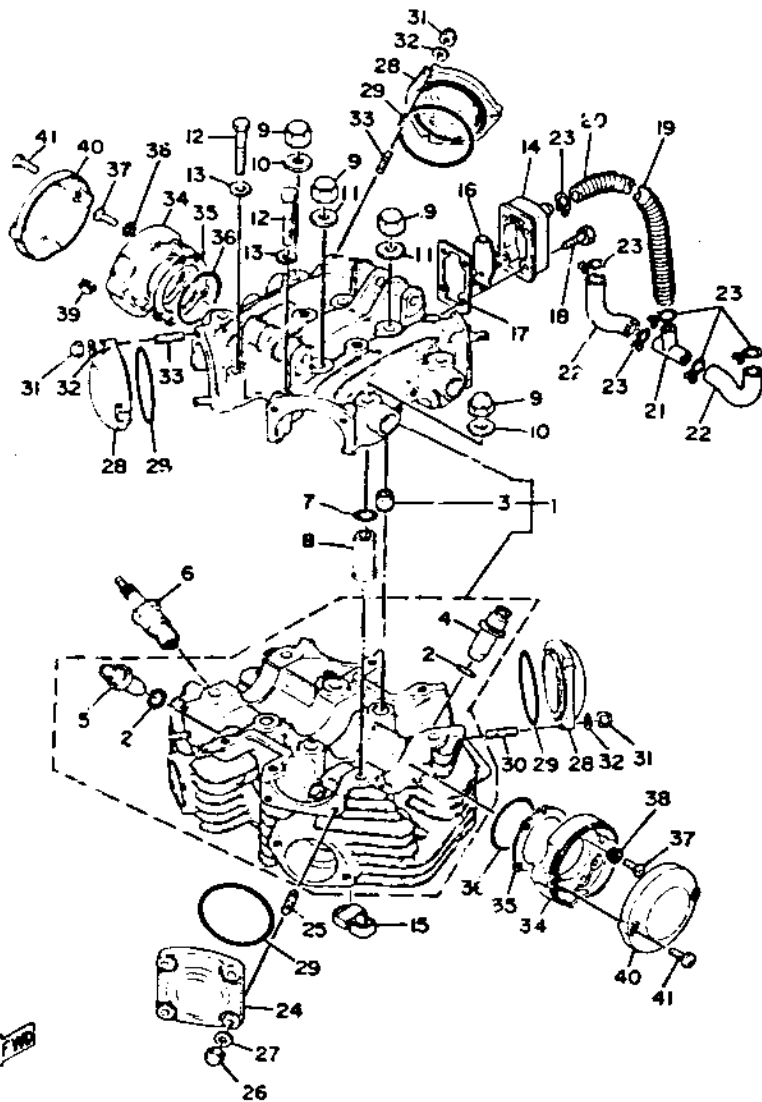


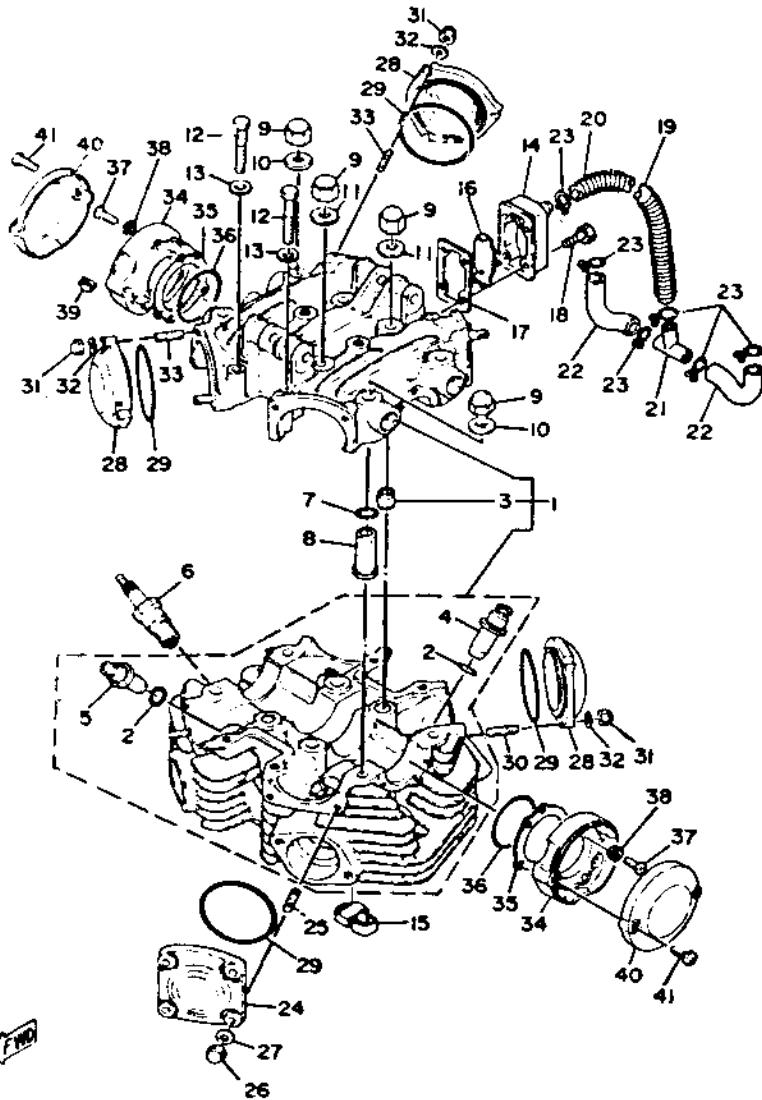
# CYLINDER HEAD



Ref. No.	Part Number	Description	Qty.	Remarks
1	4M4-11101-00-00	CYLINDER HEAD ASS'Y	1	
2	93210-15151-00	O-RING	4	
3	91830-24016-00	PIN, dowel	2	
4	341-11133-11-00	GUIDE, intake valve (1st O/S)	2	
5	341-11134-11-00	GUIDE, exhaust valve (1st O/S)	2	
6	NGK-BP7ES-00-00	PLUG, spark (94701-00117)	2	
7	93210-12152-00	O-RING	4	
8	256-11199-00-00	SLEEVE, cylinder head cover	4	
9	90176-10008-00	NUT, crown	8	
10	90210-10004-00	WASHER, seal	4	
	3G1-W0001-00-XX	TOP END GASKET KIT		See Grid G-1 for Kit Component Parts
11	90201-10131-00	WASHER, plate	4	
12	97321-08060-00	BOLT	4	
13	92903-08200-00	WASHER, plain (92901-08200)	4	
14	3G1-11168-01-00	COVER, breather	1	
15	447-11135-00-00	PLATE, breather 3	1	
16	3G1-11165-00-00	PLATE, breather	1	
17	256-11169-01-00	GASKET, breather cover	1	
18	91316-06025-00	BOLT	4	
19	90445-16416-00	HOSE	1	
20	90501-08545-00	SPRING, compression	1	

Spark Plug Type	NGK BP7ES or Champion N7Y
Spark Plug Gap / Torque / Cap Ω	0.7 ~ 0.8mm / 2.0 m·kg / 10K Ω
Cylinder Head Cover	8 x 1.25: 2.1 m·kg
Cylinder Head:	10 x 1.25: 3.7 m·kg

# CYLINDER HEAD



Ref. No.	Part Number	Description	Qty.	Remarks
21	90413-13006-00	WAY 3.....	1	
22	3G1-11166-00-00	PIPE, breather 1 .....	2	
23	90467-14015-00	CLIP .....	6	
24	447-11185-00-00	COVER, cylinder head side 1 ....	1	
25	90116-08150-00	BOLT, stud .....	4	
26	95303-08800-00	NUT, crown .....	4	
27	92901-08600-00	WASHER, plate .....	4	
28	447-11186-00-00	COVER, cylinder head side 2 ....	3	
29	93210-62451-00	O-RING.....	4	
30	90116-06017-00	BOLT, stud .....	3	
	<b>3G1-W0001-00-XX</b>	<b>TOP END GASKET KIT.....</b>		<b>See Grid G-1 for Kit Component Parts</b>
31	95303-06800-00	NUT, crown .....	9	
32	92901-06600-00	WASHER, plate .....	9	
33	90116-06238-00	BOLT, stud .....	6	
34	256-11157-03-00	COVER, breaker 1 .....	2	
35	256-11146-00-00	GASKET, breaker cover .....	2	
36	93210-45150-00	O-RING.....	2	
37	92701-06015-00	SCREW, flat head .....	6	
38	92903-06500-00	WASHER, tooth (92901-06500)	6	
39	90338-12044-00	PLUG.....	2	
40	256-11158-01-00	COVER, breaker 2.....	2	
41	91903-06020-00	SCREW, bind (98903-06020) ...	4	

Spark Plug Type	NGK BP7ES or Champion NTY
Spark Plug Gap / Torque / Cap $\Omega$	0.7 ~ 0.8mm / 2.0 m-k $\Omega$ 10K $\Omega$
Cylinder Head Cover	8 x 1.25: 2.1 m-k $\Omega$
Cylinder Head:	10 x 1.25: 3.7 m-k $\Omega$