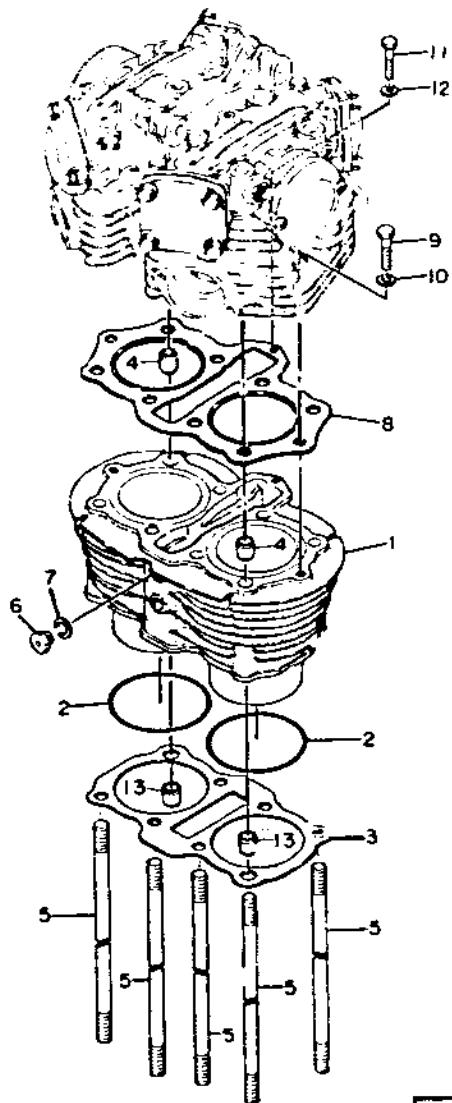


CYLINDER



Ref. No.	Part Number	Description	Qty	Rem
1	4M4-11310-00-00	CYLINDER	1	
2	93210-82153-00	O-RING	2	
3	256-11351-01-00	GASKET, cylinder	1	
4	91830-24016-00	PIN, dowel	2	
5	90116-10108-00	BOLT, stud	8	
6	256-11395-02-00	HOLDER	2	
7	90430-11033-00	GASKET	2	
8	306-11181-00-00	GASKET, cylinder head 1	1	
9	97321-08035-00	BOLT	2	
10	92903-08200-00	WASHER, plain (92901-08200)	2	
11	97313-06035-00	BOLT	1	
12	92903-06200-00	WASHER, plain (92901-06200)	1	
13	91830-24016-00	PIN, dowel	2	

MODEL - IBM I.D. NUMBER	XS860SH-B	XS860SH-S	4M4
Initial Engine Number / Frame Number	4M4-000101 / 4M4-000101		
ENGINE TYPE	4-Stroke, SOHC, Air-Cooled		
Bore / Stroke / Number Cylinders / Displacement (cc)	75mm / 74mm / 2 / 65Acc		
Compression Ratio / Compression Pressure Min~Max	8.7:1 / 9.5 ~ 11.7 kg/cm ²		