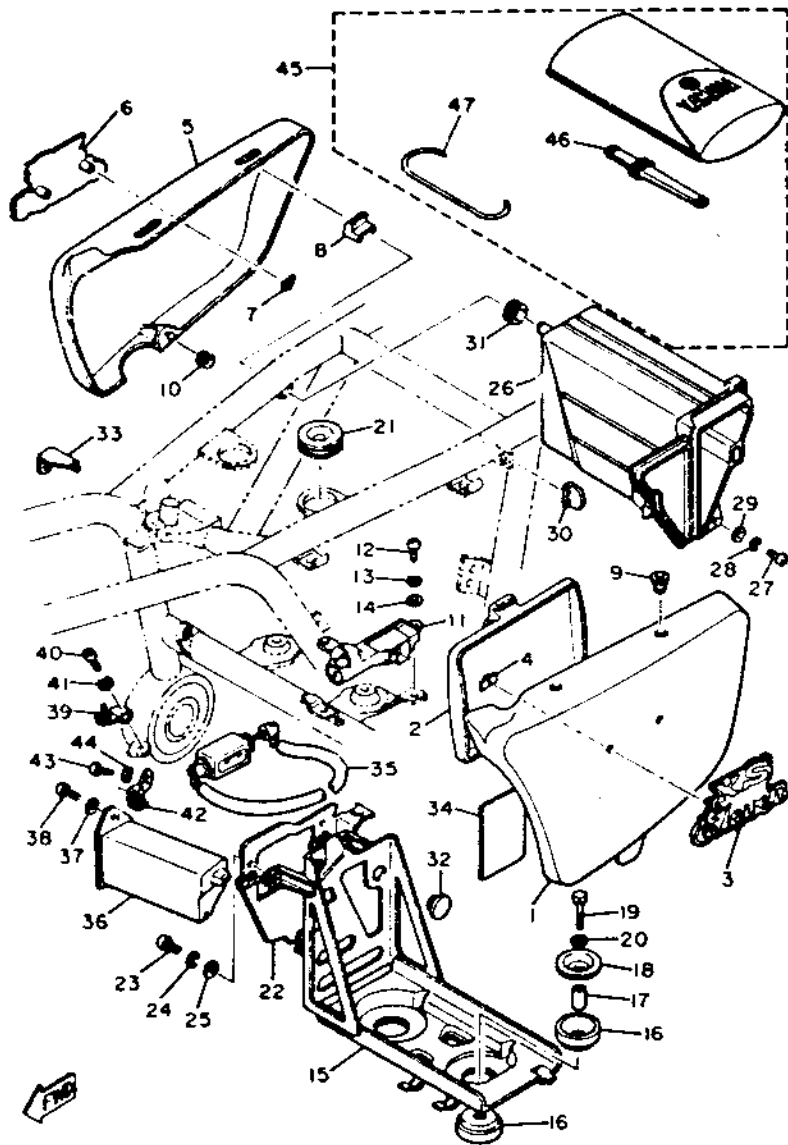


Ref. No.	Part Number	Description	Qty.
1	3H5-21711-01-4E	COVER, side (L.H.)	1
2	3H3-28185-00-00	LID.	1
3	3H5-21781-00-00	EMBLEM 1	1
4	90183-04012-00	NUT, spring	2
5	3H5-21721-00-4E	COVER, side (R.H.)	1
6	3H5-21781-00-00	EMBLEM 1	1
7	90183-04012-00	NUT, spring	2
8	2H7-21717-00-00	DAMPER, side cover.	2
9	90480-12261-00	GROMMET.	2
10	90480-01141-00	GROMMET.	1
11	4R0-21708-00-00	SIDE COVER LOCK ASS'Y.	1
12	92506-06014-00	SCREW, pan head.	2
13	92906-06100-00	WASHER, spring	2
14	92906-06600-00	WASHER, plate	2
15	2H7-21170-00-33	BOX COMP.	1
16	2H7-21746-00-00	DAMPER, battery box.	4
17	90387-06387-00	COLLAR	2
18	90209-07170-00	WASHER	2
19	97301-06030-00	BOLT.	2
20	92903-06100-00	WASHER, spring (92901-06100)	2
21	2H7-21747-00-00	DAMPER	2
22	2H7-21543-00-91	PLATE 1	1



Ref. No.	Part Number	Description	Qty.
23	92503-06012-00	SCREW, pan head (92501-06012)	3
24	92903-06100-00	WASHER, spring (92901-06100)	3
25	92901-06600-00	WASHER, plate	3
26	2H7-21171-01-00	BOX, tool	1
27	92503-06012-00	SCREW, pan head (92501-06012)	2
28	92903-06100-00	WASHER, spring (92901-06100)	1
29	90201-06052-00	WASHER, plate	1
30	90480-16185-00	GROMMET	1
31	90480-15058-00	GROMMET	1
32	90480-17218-00	GROMMET	1
33	2H7-21715-00-00	WASHER, special 1	1
34	4R0-21683-00-00	PLATE, specification	1
35	4R0-W2171-00-00	WHEEL LOCK ASS'Y	1
36	4R0-21258-00-00	BOX	1
37	90201-062A8-00	WASHER, plate	1
38	92506-06016-00	SCREW, pan head	1
39	4R0-2175H-01-00	STAY, lock	1
40	92506-06012-00	SCREW, pan head	1
41	92906-06100-00	WASHER, spring	1
42	4R0-2172E-00-00	STAY, side cover	1
43	97306-06012-00	BOLT	1
44	92906-06100-00	WASHER, spring	1
45	3H3-28100-10-00	TOOL KIT	1
46	2H7-2815A-00-00	. GAUGE, oil level	1
47	3H3-2814A-00-00	. TOOL, wire	1