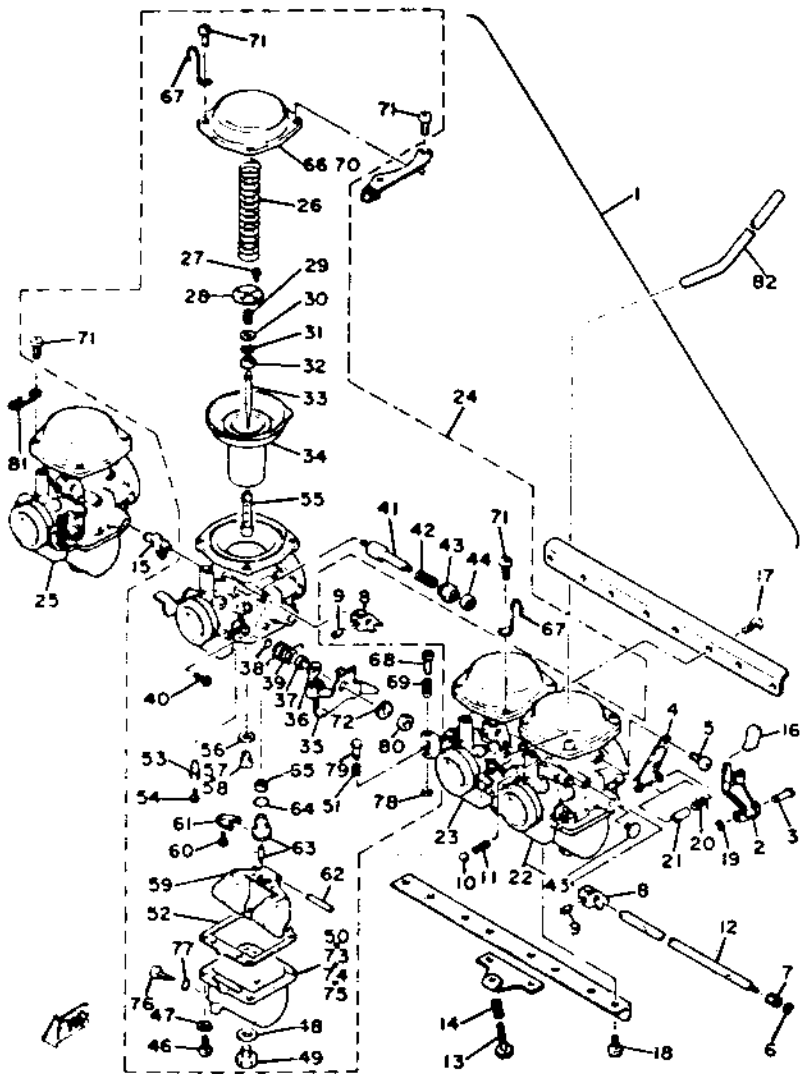
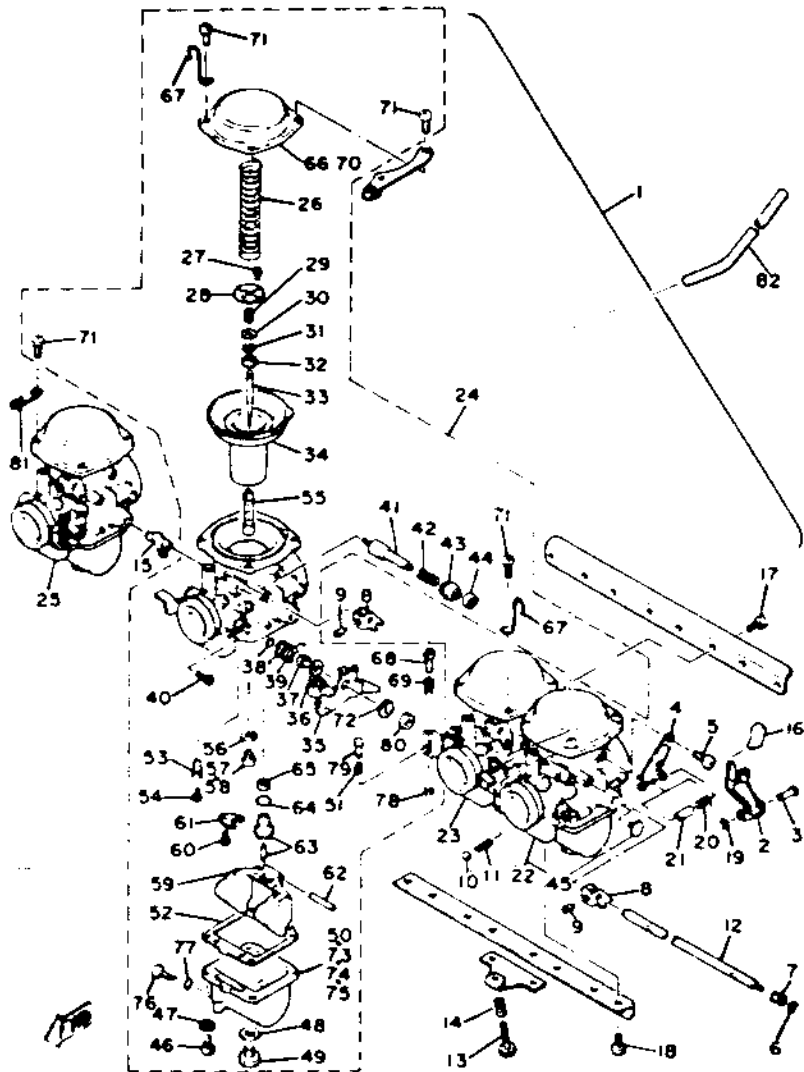


Ref. No.	Part Number	Description	Qty.
1	(3J6-14900-00-00)	CARBURETOR ASS'Y.	1
2	2F3-14975-00-00	LEVER, starter 1	1
3	2F3-14386-00-00	PIN, float	1
4	3H3-14995-00-00	BRACKET (2F3-14995-00)	1
5	97801-04008-00	SCREW, pan head	2
6	737-14137-00-00	CLIP	1
7	2H7-14998-00-00	BUSH	1
8	3F7-14905-00-00	LEVER, starter	4
9	2H7-14991-00-00	SCREW	4
10	93501-08001-00	BALL	2
11	583-14589-00-00	SPRING	2
12	2H7-14978-00-00	SHAFT, starter lever	1
13	3F7-14122-00-00	SCREW, throttle	1
14	3F7-14934-00-00	SPRING, throttle stop	1
15	3H3-14988-00-00	NIPPLE	2
16	2F3-14968-00-00	CAP	1
17	97801-05008-00	SCREW, pan head	8
18	97801-06014-00	SCREW, pan head	8
19	2F3-14919-00-00	CLIP	1
20	2F3-14938-00-00	SPRING	1

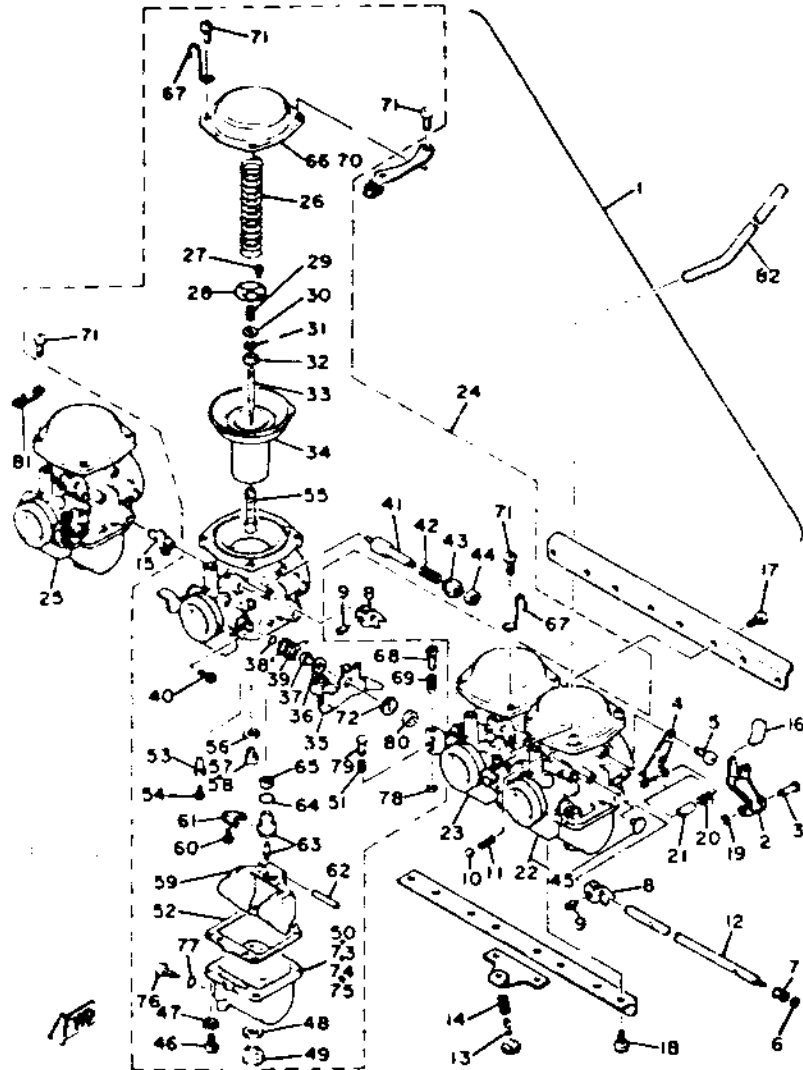
CARBURETOR - Mfr. / Type / I.D. Number	Mikuni / BS34-III / 3H5-00
Main Jet / Pilot Jet	Cyl. #1 & #4: 115      Cyl. #2 & #3: 120 / 42.5
Needle Jet / Jet Needle-Clip Position	X-2 / 51Z7 Fixed
Slide Cutaway or Throttle Valve	136
Float Level / Fuel Level	23 ± 1.0mm / NA
Idle rpm	1100 rpm
Max CO* / Max HC* / Set CO	3.0 % / 500 ppm / 2.0 % (All Settings @ Idle)



Ref. No.	Part Number	Description	Qty.
21	2F3-14996-00-00	PIPE	1
22	3J6-14901-00-00	CARBURETOR ASS'Y 1	1
23	3J6-14902-00-00	CARBURETOR ASS'Y 2	1
24	3J6-14903-00-00	CARBURETOR ASS'Y 3	1
25	3J6-14904-00-00	CARBURETOR ASS'Y 4	1
26	3H5-14933-00-00	SPRING, diaphragm	4
27	97602-03108-00	SCREW, pan head w/washer	8
28	3F7-14936-00-00	SEAT, spring	4
29	3F7-14589-00-00	SPRING	4
30	3F7-14952-00-00	WASHER	4
31	256-14919-00-00	CLIP	4
32	3F7-14918-00-00	RING	4
33	360-14116-07-00	NEEDLE	4
34	3H5-14940-00-00	DIAPHRAGM ASS'Y	4
35	3H5-14913-00-00	LEVER, throttle	1
36	306-14970-00-00	COLLAR	1
37	2H7-14918-00-00	RING	1
38	256-14997-00-00	SEAL	1
39	2H7-14931-00-00	SPRING, throttle lever	1
40	98302-05006-00	SCREW, cylinder head	4
41	3F7-14171-00-00	PLUNGER, starter	4
42	3F7-14135-00-00	SPRING, plunger	4



Ref. No.	Part Number	Description	Qty.
43	3F7-14174-00-00	CAP, plunger	4
44	3F7-14173-00-00	COVER, plunger cap	4
45	2H7-14191-00-00	PLUG, drain	2
46	98503-05015-00	SCREW, pan head (98501-05015)	16
47	92903-05100-00	WASHER, spring (92901-05100)	16
48	1L9-14952-00-00	WASHER	4
49	1A8-14991-00-00	SCREW	4
50	4G1-14981-05-00	BODY, float chamber	1
51	584-14934-00-00	SPRING, throttle stop	3
52	3F7-14984-00-00	GASKET, float chamber	4
53	4G0-14142-42-00	JET, pilot (#42.5) (256-14142-42)	4
54	3F7-14991-00-00	SCREW	4
55	3H5-14941-02-00	NOZZLE, main	4
56	137-14153-00-00	WASHER, main jet	4
57	620-14231-23-00	JET, main (#115.0)	2
58	620-14231-24-00	JET, main (#120.0)	2
59	3H5-14985-00-00	FLOAT	4
60	98501-04005-00	SCREW, pan head (98502-04006)	4
61	2H0-14146-00-00	PLATE	4
62	537-14186-00-00	PIN, float	4
63	3L1-14190-20-00	NEEDLE VALVE ASS'Y	4
64	8F2-14147-00-00	O-RING	4



Ref. No.	Part Number	Description	Qty.
65	1J7-14994-00-00	NET, filter.....	4
66	3H5-14958-01-00	COVER, diaphragm.....	2
67	3H5-14139-00-00	CLIP, pipe.....	2
68	3F7-14922-00-00	SCREW, throttle.....	3
69	3F7-14133-00-00	SPRING, throttle stop.....	3
70	3F7-14958-01-00	COVER, diaphragm.....	2
71	97801-05010-00	SCREW, pan head.....	16
72	256-14953-00-00	WASHER.....	2
73	3U6-14981-05-00	BODY, float chamber.....	1
74	3U7-14981-05-00	BODY, float chamber.....	1
75	3W8-14981-05-00	BODY, float chamber.....	1
76	2L1-14191-00-00	PLUG, drain.....	4
77	214-14147-00-00	O-RING.....	4
78	2H7-14937-00-00	CLIP.....	3
79	2H7-14992-00-00	ROD.....	3
80	95303-08700-00	NUT (98803-08300).....	2
81	90468-20072-00	CLIP.....	1
82	90445-07378-00	HOSE.....	1