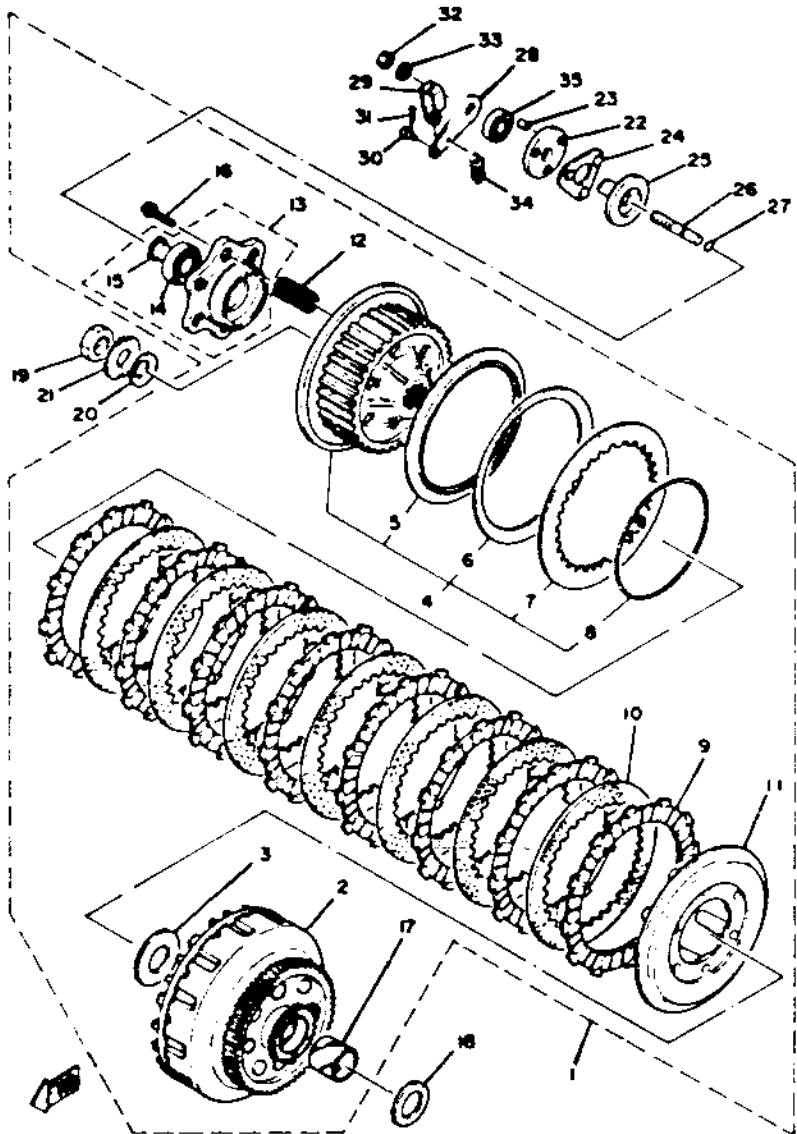


Ref. No.	Part Number	Description	Qty.	Remarks
1	2H7-16301-01-00	CLUTCH ASS'Y.....	1	
2	2H7-16150-01-10	. PRI. DRIVEN GEAR COMP. (34/58T).....	1	U.R. Typ
	2H7-16150-01-20	. PRI. DRIVEN GEAR COMP. (34/58T).....	1	U.R. Typ
3	170-16164-00-00	. PLATE, thrust 2 .....	1	
4	2H7-16370-00-00	. CLUTCH BOSS ASS'Y.....	1	
5	2H7-16384-00-00	. . PLATE, seat .....	1	
6	2H7-16383-00-00	. . SPRING, clutch boss .....	1	
7	2H7-16324-00-00	. . PLATE, clutch 1.....	1	
8	2H7-16385-00-00	. . RING, clutch boss.....	1	
9	341-16321-13-00	. PLATE, friction .....	8	
10	2H7-16325-00-00	. PLATE, clutch 2 .....	7	
11	2H7-16352-00-00	. PLATE, pressure 2 .....	1	
12	90501-23142-00	. SPRING, compression.....	6	
13	2H7-W1635-00-00	. PRESSURE PLATE COMP. 1	1	
14	93306-00304-00	. . BEARING (B6003C4) .....	1	
15	2H7-16386-00-00	. . PIECE, clutch push.....	1	
16	95821-06025-00	. BOLT, flange .....	6	
17	2H7-16181-00-10	. SPACER 1.....	1	U.R. Typ
	2H7-16181-00-20	. SPACER 1.....	1	U.R. Typ
18	360-16154-00-00	PLATE, thrust 1 .....	1	
19	90170-18221-00	NUT.....	1	
20	90208-18025-00	WASHER, conical spring .....	1	

Clutch Friction Plate Thickness Std ~ Min	3.0 ~ 2.8mm
Clutch Spring Length Std ~ Min	42.8 ~ 41.8mm
Clutch Nut	18 x 1.0: 7.0 m-kg



Ref. No.	Part Number	Description	Qty.
21	90215-19139-00	WASHER, lock.....	1
22	2H7-16396-00-00	HOUSING, push screw.....	1
23	93606-07082-00	PIN, dowel.....	1
24	2H7-16395-01-00	RETAINER, ball.....	1
25	2H7-16341-00-00	SCREW, push.....	1
26	2H7-16343-00-00	SCREW, adjusting.....	1
27	93210-48364-00	O-RING.....	1
28	2H7-16342-00-00	LEVER, push.....	1
29	1J7-16389-00-00	JOINT.....	1
30	90240-06005-00	PIN, clevis.....	1
31	91401-10010-00	PIN, cotter.....	1
32	95301-08700-00	NUT.....	1
33	92903-08200-00	WASHER, plain (92901-08200)	1
34	90506-10069-00	SPRING, tension.....	1
35	93104-14059-00	OIL SEAL.....	1