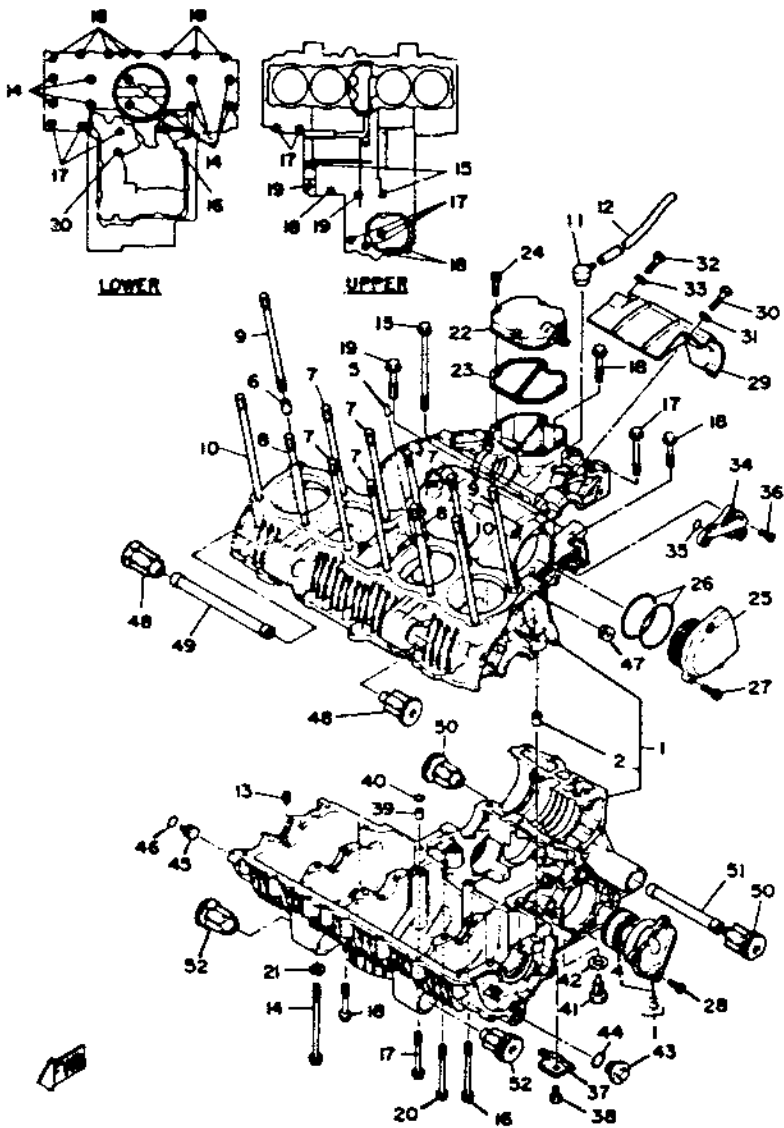


Ref. No.	Part Number	Description	Qty.
1	2H7-15100-02-00	CRANKCASE ASS'Y . . . . .	1
2	91830-22016-00	. PIN, dowel . . . . .	2
3	2H7-W1516-00-10	. BEARING HOUSING COMP. 2	1
	2H7-W1516-00-20	. BEARING HOUSING COMP. 2	1
4	93306-20505-00	. . BEARING (B4205). . . . .	1
5	93605-14143-00	PIN, dowel . . . . .	2
6	91830-24016-00	PIN, dowel . . . . .	2
7	90116-10273-00	BOLT, stud . . . . .	6
8	2F3-11363-00-00	BOLT, cylinder holding 3. . . . .	2
9	90116-10275-00	BOLT, stud . . . . .	2
10	90116-10274-00	BOLT, stud . . . . .	2
11	2H7-17591-01-00	BREATHER. . . . .	1
12	90445-07039-00	HOSE . . . . .	1
13	2H7-15138-00-00	NOZZLE 1. . . . .	3
14	90105-08114-00	BOLT, washer based . . . . .	10
15	95811-08125-00	BOLT, flangeic. . . . .	2
16	95811-06085-00	BOLT, flange. . . . .	1
17	95811-06065-00	BOLT, flange. . . . .	8
18	95811-06045-00	BOLT, flange. . . . .	11
19	95811-08045-00	BOLT, flange. . . . .	2
20	95811-08075-00	BOLT, flange. . . . .	1
21	90201-08366-00	WASHER, plate . . . . .	8
22	2H7-11168-00-00	COVER, breather . . . . .	1
23	2H7-11169-00-00	GASKET, breather cover. . . . .	1
24	91311-06025-00	BOLT. . . . .	4
25	2H7-15163-00-00	HOUSING, bearing 1. . . . .	1

Oil Pressure Hot / rpm	1.5 kg/cm <sup>2</sup> @ 60°C / 1100 rpm @ Oil Pressure Switch
Oiling System	Wet Sump
Capacity: Dry	4200cc
Oil and Filter Change	3600cc
Oil Change	3000cc
Lubricant: Temp. Above 5°C (40°F)	Yamakebu 4° or SAE 20W40 SE
Temp. Below 15°C (60°F)	SAE 10W30 SE
Drain Plug	14 x 1.5: 4.25 m-kg



Ref. No.	Part Number	Description	Qty.
26	93210-61362-00	O-RING.....	2
27	91311-06025-00	BOLT.....	3
28	90149-06126-00	SCREW.....	3
29	2H7-15436-00-00	COVER, starting motor.....	1
30	97321-0603000	BOLT.....	2
31	92901-06600-00	WASHER, plate.....	2
32	97321-06020-00	BOLT.....	1
33	92901-06600-00	WASHER, plate.....	1
34	2H7-15148-00-00	NOZZLE 2.....	1
35	93210-09350-00	O-RING.....	1
36	90149-06126-00	SCREW.....	3
37	2H7-15155-00-00	NOZZLE 3.....	1
38	97301-06016-00	BOLT (97301-06015).....	1
39	91810-03014-00	PIN, dowel.....	1
40	93210-09350-00	O-RING.....	1
41	90340-14042-00	PLUG, straight screw.....	1
42	214-11198-01-00	GASKET.....	1
43	90340-18050-00	PLUG, straight screw.....	1
44	93210-18319-00	O-RING.....	1
45	90338-13084-00	PLUG.....	1
46	93210-13361-00	O-RING.....	1
47	90480-11224-00	GROMMET.....	1
48	2H7-15316-01-00	DAMPER, engine mount 1.....	2
49	2H7-15317-00-00	SPACER, engine mount.....	1
50	2H7-15326-01-00	DAMPER, engine mount 2.....	2
51	2H7-15327-00-00	SPACER, engine mount.....	1
52	2H7-15336-00-00	DAMPER, engine mount 3.....	2

Oil Pressure Hot / rpm	1.5 kg/cm <sup>2</sup> @ 60°C / 1100 rpm @ Oil Pressure Switch
Oiling System	Wet Sump